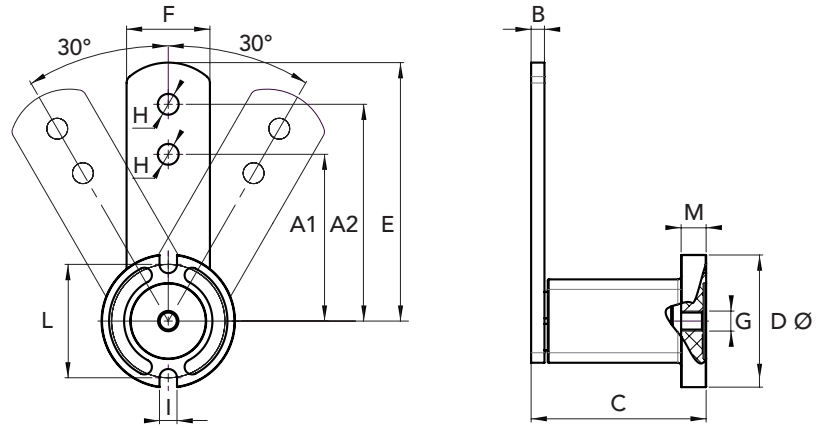


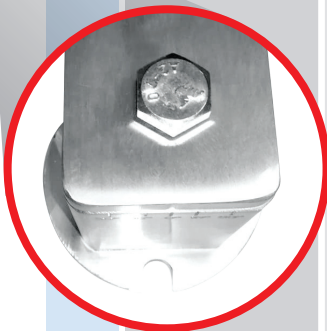


- Stainless steel AISI 304 Tensioner E with two holes for fixing accessories
- Flexible rubber items
- Supplied with set up bolts made of stainless steel AISI 304

*** ON DEMAND
AVAILABLE WITH FRONT SET UP**



TYPE	P. NUMBER	Newton A2	Newton A1	A1	A2	B	C	D Ø	E	F	G	H	I	L	M	WEIGHT Kg.
E 1	94070001SS	0 - 90	0 - 110	60	80	5	50	35	90	20	M6	8,5	7	31	6	0,18
E 2	94070002SS	0 - 130	0 - 160	80	100	5	63	45	112,5	30	M8	10,5	9	41	8	0,35
E 3	94070003SS	0 - 330	0 - 410	80	100	6	77	59	115	35	M10	10,5	9	48	10	0,60
E 4	94070004SS	0 - 800	0 - 1000	100	130	8	107	79	155	50	M12	12,5	11	63	15	1,90
E 5	94070005SS	0 - 1500	0 - 1850	140	175	10	139	98	205	60	M16	20,5	13	84	15	3,80
E 6	94070006SS	0 - 2500	0 - 3100	180	225	12	199	118	260	70	M20	20,5	13	100	18	6,50
E 7	94070007SS	0 - 3800	0 - 4800	200	250	20	210	128	290	80	M24	20,5	17	107	20	9,00
E 1	94070001MFSS	0 - 90	0 - 110	60	80	5	50	35	90	20	M6	8,5	7	31	6	0,18
E 2	94070002MFSS	0 - 130	0 - 160	80	100	5	63	45	112,5	30	M8	10,5	9	41	8	0,35
E 3	94070003MFSS	0 - 330	0 - 410	80	100	6	77	59	115	35	M10	10,5	9	48	10	0,60
E 4	94070004MFSS	0 - 800	0 - 1000	100	130	8	107	79	155	50	M12	12,5	11	63	15	1,90
E 5	94070005MFSS	0 - 1500	0 - 1850	140	175	10	139	98	205	60	M16	20,5	13	84	15	3,80
E 6	94070006MFSS	0 - 2500	0 - 3100	180	225	12	199	118	260	70	M20	20,5	13	100	18	6,50
E 7	94070007MFSS	0 - 3800	0 - 4800	200	250	20	210	128	290	80	M24	20,5	17	107	20	9,00



**ON DEMAND AVAILABLE
IN STAINLESS STEEL AISI 316**

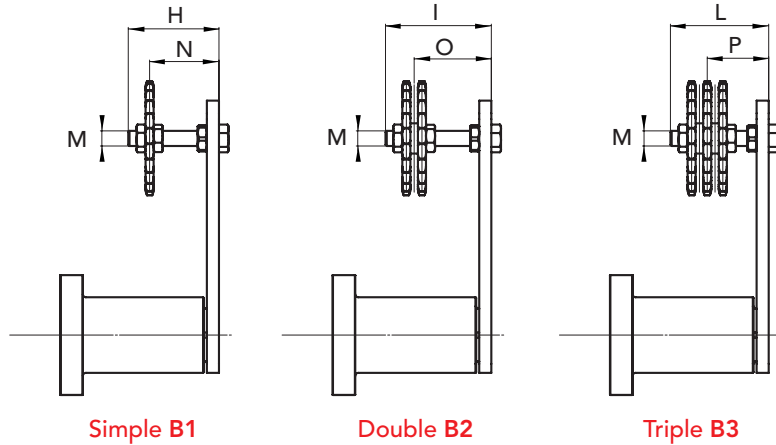
CAD drawings available on our site
www.chiaravalli.com

Quantity, availability
and prices on B2B Chiaravalli



- Stainless steel AISI 304 Tensioner E with chain tensioner sprocket (simple, double, triple) also made of stainless steel AISI 304
- Flexible rubber items
- Supplied with set up bolts made of stainless steel AISI 304

*** ON DEMAND
AVAILABLE WITH FRONT SET UP**



Simple B1

Double B2

Triple B3

TYPE	P. NUMBER SIMPLE	P. NUMBER DOUBLE	P. NUMBER TRIPLE	Step Chain	H	I	L	M	N	O	P	WEIGHT Kg.
ER 2 - 3/8	94070921SS	94070922SS	-	3/8x7/32"	55	55	-	M10	22-43	27-39	-	0,48
ER 3 - 3/8	94070931SS	94070932SS	94070933SS	3/8x7/32"	55	60	70	M10	23-43	28-39	33-48	0,73
ER 3 - 1/2	94071231SS	94071232SS	-	1/2"x5/16"	55	60	-	M10	23-44	30-37	-	0,81
ER 4 - 1/2	-	-	94071243SS	1/2"x5/16"	-	-	80	M12	-	-	41-51	2,50
ER 4 - 5/8	94071541SS	94071542SS	94071543SS	5/8"x3/8"	80	80	80	M12	27-65	36-57	43-50	2,28
ER 4 - 3/4	94071941SS	94071942SS	-	3/4"x7/16"	80	80	-	M12	27-65	37-56	-	2,46
ER 5 - 5/8	-	-	94071553SS	5/8"x3/8"	-	-	120	M20	-	-	56-84	5,00
ER 5 - 3/4	94071951SS	94071952SS	94071953SS	3/4"x7/16"	100	120	120	M20	40-80	50-90	59-80	4,61
ER 5 - 1	94072551SS	94072552SS	-	1"x17 mm	100	120	-	M20	40-80	55-84	-	5,43
ER 6 - 1	-	-	94072563SS	1"x17 mm	-	-	160	M20	-	-	74-108	9,50
ER 6 - 1 1/4	94073161SS	94073162SS	94073163SS	1"1/4x3/4"	100	140	160	M20	40-80	60-120	78-105	9,28
ER 6 - 1 1/2	94073861SS	94073862SS	94073863SS	1"1/2x1"	140	140	180	M20	40-120	65-97	90-111	9,33
ER 2 - 3/8	94070921MFSS	94070922MFSS	-	3/8x7/32"	55	55	-	M10	22-43	27-39	-	0,48
ER 3 - 3/8	94070931MFSS	94070932MFSS	94070933MFSS	3/8x7/32"	55	60	70	M10	23-43	28-39	33-48	0,73
ER 3 - 1/2	94071231MFSS	94071232MFSS	-	1/2"x5/16"	55	60	-	M10	23-44	30-37	-	0,81
ER 4 - 1/2	-	-	94071243MFSS	1/2"x5/16"	-	-	80	M12	-	-	41-51	2,50
ER 4 - 5/8	94071541MFSS	94071542MFSS	94071543MFSS	5/8"x3/8"	80	80	80	M12	27-65	36-57	43-50	2,28
ER 4 - 3/4	94071941MFSS	94071942MFSS	-	3/4"x7/16"	80	80	-	M12	27-65	37-56	-	2,46
ER 5 - 5/8	-	-	94071553MFSS	5/8"x3/8"	-	-	120	M20	-	-	56-84	5,00
ER 5 - 3/4	94071951MFSS	94071952MFSS	94071953MFSS	3/4"x7/16"	100	120	120	M20	40-80	50-90	59-80	4,61
ER 5 - 1	94072551MFSS	94072552MFSS	-	1"x17 mm	100	120	-	M20	40-80	55-84	-	5,43
ER 6 - 1	-	-	94072563MFSS	1"x17 mm	-	-	160	M20	-	-	74-108	9,50
ER 6 - 1 1/4	94073161MFSS	94073162MFSS	94073163MFSS	1"1/4x3/4"	100	140	160	M20	40-80	60-120	78-105	9,28
ER 6 - 1 1/2	94073861MFSS	94073862MFSS	94073863MFSS	1"1/2x1"	140	140	180	M20	40-120	65-97	90-111	9,33

ROTATING TENSIONER CHT - ER

FRONT SET UP



**ON DEMAND AVAILABLE
IN STAINLESS STEEL AISI 316**

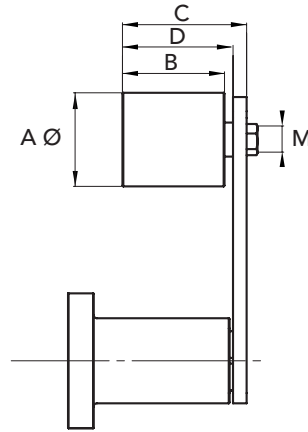
CAD drawings available on our site
www.chiaravalli.com

**Quantity, availability
and prices on B2B Chiaravalli**



- Stainless steel AISI 304 Tensioner E with stainless steel AISI 304 belt tensioner roller RU
- Flexible rubber items
- Supplied with set up bolts made of stainless steel AISI 304

*** ON DEMAND
AVAILABLE WITH FRONT SET UP**



TYPE	P. NUMBER STAINLESS	P. NUMBER POLYAMIDE	A Ø	B	C	D	M	WEIGHT Kg. STEEL	WEIGHT Kg. PA
ERU 1 - 3035	94073521SS	94073511SS	30	35	51	43	M8	0,33	0,25
ERU 2 - 4045	94074522SS	94074512SS	40	45	67	56	M10	0,68	0,53
ERU 2 - 5050	94075022SS	94075012SS	50	50	69	58	M12	0,95	0,58
ERU 3 - 4045	94074523SS	94074513SS	40	45	67	57	M10	0,93	0,78
ERU 3 - 5050	94075023SS	94075013SS	50	50	69	59	M12	1,20	0,83
ERU 4 - 6060	94076024SS	94076014SS	60	60	89	76	M12	2,98	2,24
ERU 5 - 8090	94078025SS	94078015SS	80	90	127	109	M20	6,50	4,40
ERU 6 - 90135	-	94079016SS	90	135	169	154	M20	-	7,60
ERU 1 - 3035	94073521MFSS	94073511MFSS	30	35	51	43	M8	0,33	0,25
ERU 2 - 4045	94074522MFSS	94074512MFSS	40	45	67	56	M10	0,68	0,53
ERU 2 - 5050	94075022MFSS	94075012MFSS	50	50	69	58	M12	0,95	0,58
ERU 3 - 4045	94074523MFSS	94074513MFSS	40	45	67	57	M10	0,93	0,78
ERU 3 - 5050	94075023MFSS	94075013MFSS	50	50	69	59	M12	1,20	0,83
ERU 4 - 6060	94076024MFSS	94076014MFSS	60	60	89	76	M12	2,98	2,24
ERU 5 - 8090	94078025MFSS	94078015MFSS	80	90	127	109	M20	6,50	4,40
ERU 6 - 90135	-	94079016MFSS	90	135	169	154	M20	-	7,60



ROLLER MATERIAL: POLYAMIDE (PA)
STAINLESS STEEL AISI 304 (AC)

**ON DEMAND AVAILABLE
IN STAINLESS STEEL AISI 316**

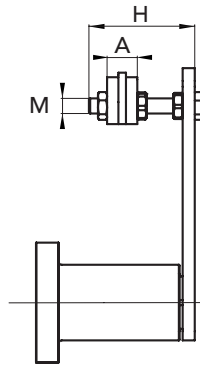
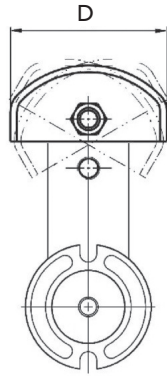
CAD drawings available on our site
www.chiaravalli.com

**Quantity, availability
and prices on B2B Chiaravalli**

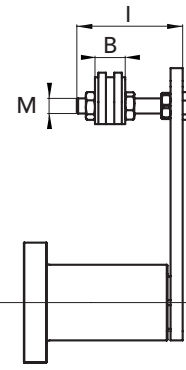


- Stainless steel AISI 304 Tensioner E with sliding block chain tensioner in polyethylene UHMW high molecular mass (1.000.000) material
- Available in other colors
- Provided with bushing kit allowing the free movement of the sliding block
- Flexible rubber items
- Available with sliding blocks type GA and GO. For sizes see page 32
- Supplied with set up bolts made of stainless steel AISI 304

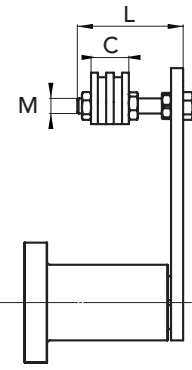
*** ON DEMAND
AVAILABLE WITH FRONT SET UP**



Simple B1



Double B2



Triple B3

ROTATING TENSIONER CHT - EGE

TYPE	P. NUMBER SIMPLE	P. NUMBER DOUBLE	P. NUMBER TRIPLE	Step Chain	A	B	C	D	H	I	L	M	WEIGHT Kg.
EGE 1 - 3/8	94070901SS	94070902SS	-	3/8 X 7/32"	20	20	-	68 ^{-0/+2}	45	45	-	M8	0,30
EGE 2 - 3/8	-	-	94070903SS	3/8 X 7/32"	-	-	25	68 ^{-0/+2}	-	-	45	M10	0,50
EGE 2 - 1/2	94071201SS	94071202SS	-	1/2" X 5/16"	20	20	-	68 ^{-0/+2}	55	55	-	M10	0,50
EGE 3 - 1/2	94071211SS	94071212SS	94071213SS	1/2" X 5/16"	20	20	35	68 ^{-0/+2}	55	60	70	M10	0,75
EGE 3 - 5/8	94071501SS	94071502SS	-	5/8" X 3/8"	20	25	-	88 ^{-0/+2}	55	70	-	M10	0,78
EGE 3 - 3/4	94071901SS	94071902SS	-	3/4" X 7/16"	20	30	-	88 ^{-0/+2}	60	70	-	M10	0,80
EGE 4 - 5/8	-	-	94071503SS	5/8" X 3/8"	-	-	40	88 ^{-0/+2}	-	-	100	M12	2,10
EGE 4 - 3/4	94071911SS	94071912SS	94071913SS	3/4" X 7/16"	20	30	49	88 ^{-0/+2}	80	80	100	M12	2,10
EGE 4 - 1	94072501SS	94072502SS	94072503SS	1" X 17 mm	20	45	78	108 ^{-0/+2}	80	90	100	M12	2,20
EGE 5 - 1	-	94072512SS	94072513SS	1" X 17 mm	-	45	78	108 ^{-0/+2}	-	100	120	M20	4,00
EGE 5 - 1 1/4	94073101SS	94073102SS	94073103SS	1"1/4 x 3/4"	20	54	90	108 ^{-0/+2}	100	120	130	M20	4,20
EGE 5 - 1 1/2	94073801SS	94073802SS	94073803SS	1"1/2 x 1"	20	71	119	108 ^{-0/+2}	100	120	130	M20	4,20
EGE 1 - 3/8	94070901MFSS	94070902MFSS	-	3/8 X 7/32"	20	20	-	68 ^{-0/+2}	45	45	-	M8	0,30
EGE 2 - 3/8	-	-	94070903MFSS	3/8 X 7/32"	-	-	25	68 ^{-0/+2}	-	-	45	M10	0,50
EGE 2 - 1/2	94071201MFSS	94071202MFSS	-	1/2" X 5/16"	20	20	-	68 ^{-0/+2}	55	55	-	M10	0,50
EGE 3 - 1/2	94071211MFSS	94071212MFSS	94071213MFSS	1/2" X 5/16"	20	20	35	68 ^{-0/+2}	55	60	70	M10	0,75
EGE 3 - 5/8	94071501MFSS	94071502MFSS	-	5/8" X 3/8"	20	25	-	88 ^{-0/+2}	55	70	-	M10	0,78
EGE 3 - 3/4	94071901MFSS	94071902MFSS	-	3/4" X 7/16"	20	30	-	88 ^{-0/+2}	60	70	-	M10	0,80
EGE 4 - 5/8	-	-	94071503MFSS	5/8" X 3/8"	-	-	40	88 ^{-0/+2}	-	-	100	M12	2,10
EGE 4 - 3/4	94071911MFSS	94071912MFSS	94071913MFSS	3/4" X 7/16"	20	30	49	88 ^{-0/+2}	80	80	100	M12	2,10
EGE 4 - 1	94072501MFSS	94072502MFSS	94072503MFSS	1" X 17 mm	20	45	78	108 ^{-0/+2}	80	90	100	M12	2,20
EGE 5 - 1	-	94072512MFSS	94072513MFSS	1" X 17 mm	-	45	78	108 ^{-0/+2}	-	100	120	M20	4,00
EGE 5 - 1 1/4	94073101MFSS	94073102MFSS	94073103MFSS	1"1/4 x 3/4"	20	54	90	108 ^{-0/+2}	100	120	130	M20	4,20
EGE 5 - 1 1/2	94073801MFSS	94073802MFSS	94073803MFSS	1"1/2 x 1"	20	71	119	108 ^{-0/+2}	100	120	130	M20	4,20

FRONT SET UP



**ON DEMAND AVAILABLE
IN STAINLESS STEEL AISI 316**

CAD drawings available on our site
www.chiaravalli.com

**Quantity, availability
and prices on B2B Chiaravalli**