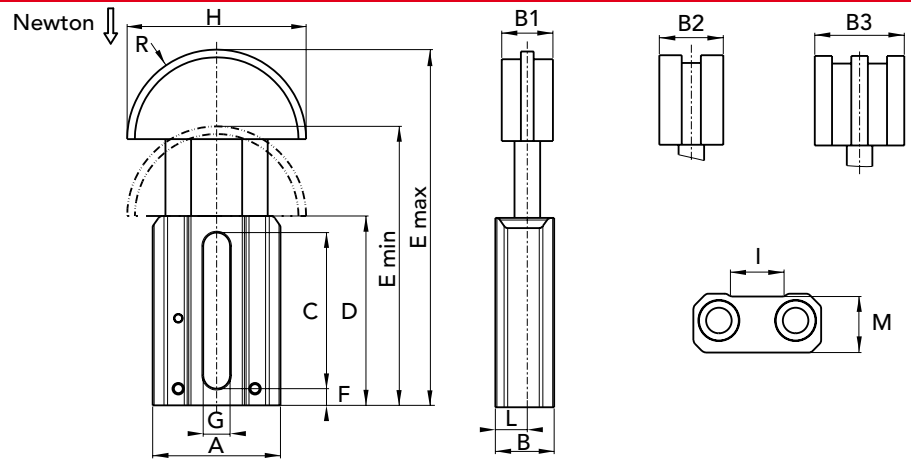




- Tensioner AS with sliding block chain tensioner polyethylene UHMW high molecular mass (1.000.000) material
- Available on request in different colors
- Sliding block with semicircle profile
- Dry self-lubricating bushings with standard PTFE
- On request available with stainless steel pin, springs, plugs and washer



TYPE	P. NUMBER SIMPLE	P. NUMBER DOUBLE	P. NUMBER TRIPLI	Newton	Step Chain	A	B	B1	B2	B3	C	D	E	E	F	G	H	I	L	M	R	WEIGHT Kg.
													min	max								
ASGO1 - 3/8"	94100901N	94100902N	94100903N	240	3/8"x7/32"	50	23	20	20	26	61	74	110	138	6,5	10,5	70	20	12,5	22	35	0,24
ASGO1 - 1/2"	94101201N	94101202N	94101203N	240	1/2"x5/16"	50	23	20	20	34,5	61	74	110	138	6,5	10,5	70	20	12,5	22	35	0,24
ASGO1 - 5/8"	94101501N	94101502N	94101503N	240	5/8"x3/8"	50	23	20	25	41,5	61	74	110	138	6,5	10,5	70	20	12,5	22	35	0,24
ASGO2 - 5/8"	94101511N	94101512N	94101513N	420	5/8"x3/8"	67	28	20	25	41,5	73	87	133	170	7	12,5	90	25	15	25,5	45	0,42
ASGO2 - 3/4"	94101901N	94101902N	94101903N	420	3/4"x7/16"	67	28	20	30	49	73	87	133	170	7	12,5	90	25	15	25,5	45	0,42
ASGO2 - 1"	94102501N	94102502N	94102503N	420	1"x17 mm	67	28	25	45	-	73	87	133	170	7	12,5	90	25	15	25,5	45	0,42
ASGO3 - 1"	94102511N	94102512N	94102513N	650	1"x17 mm	80	32,5	25	45	78	88	104	160	202	8	14,5	110	29,5	17,5	28,5	55	0,74
ASGO3 - 1"1/4	94103101N	94103102N	94103103N	650	1"1/4x3/4"	80	32,5	25	54	90	88	104	160	202	8	14,5	110	29,5	17,5	28,5	55	0,74
ASGO3 - 1"1/2	94103801N	94103802N	94103803N	650	1"1/2x1"	80	32,5	25	71	119	88	104	160	202	8	14,5	110	29,5	17,5	28,5	55	0,74
ASGO3 - 1"3/4	94104401N	-	-	650	1"3/4x1"1/4	80	32,5	30	-	-	88	104	160	202	8	14,5	110	29,5	17,5	28,5	55	0,79
ASGO3 - 2"	94105001N	-	-	650	2"x1"1/4	80	32,5	30	-	-	88	104	160	202	8	14,5	110	29,5	17,5	28,5	55	0,79

