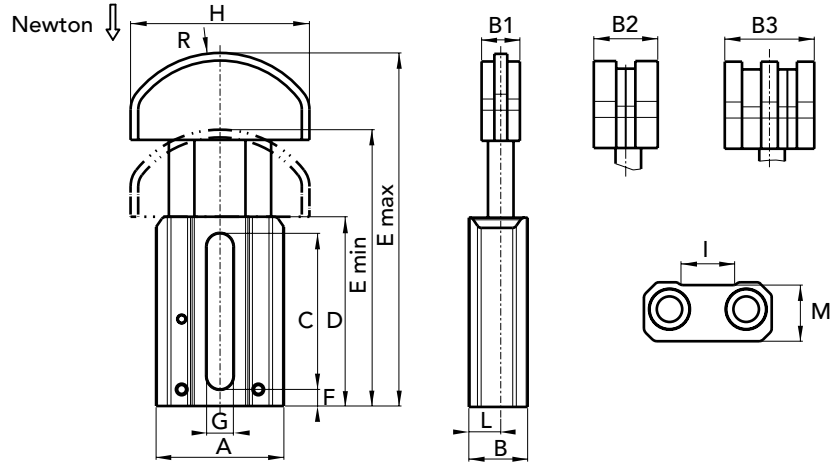




- Tensioner AS with sliding block chain tensioner in polyethylene UHMW high molecular mass (1.000.000) material
- Available on request in different colors
- Elliptical profile to increase contact surface
- Dry self-lubricating bushings in standard PTFE
- On request available with stainless steel pins, springs, plugs and washers



TYPE	P. NUMBER SIMPLE	P. NUMBER DOUBLE	P. NUMBER TRIPLE	Newton	Step Chain	A	B	B1	B2	B3	C	D	E		F	G	H	I	L	M	R	WEIGHT Kg.
													min	max								
ASGE1 - 3/8"	94000901N	94000902N	94000903N	240	3/8"x7/32"	50	23	20	20	26	61	74	110	138	6,5	10,5	68	20	12,5	22	42	0,24
ASGE1 - 1/2"	94001201N	94001202N	94001203N	240	1/2"x5/16"	50	23	20	20	34,5	61	74	110	138	6,5	10,5	68	20	12,5	22	42	0,24
ASGE1 - 5/8"	94001501N	94001502N	94001503N	240	5/8"x3/8"	50	23	20	25	41,5	61	74	110	138	6,5	10,5	68	20	12,5	22	42	0,24
ASGE2 - 5/8"	94001511N	94001512N	94001513N	420	5/8"x3/8"	67	28	20	25	41,5	73	87	133	170	7	12,5	88	25	15	25,5	54	0,44
ASGE2 - 3/4"	94001911N	94001912N	94001913N	420	3/4"x7/16"	67	28	20	30	49	73	87	133	170	7	12,5	88	25	15	25,5	54	0,45
ASGE2 - 1"	94002501N	94002502N	-	420	1"x17 mm	67	28	25	45	-	73	87	133	170	7	12,5	88	25	15	25,5	54	0,46
ASGE3 - 1"	94002511N	94002512N	94002513N	650	1"x17 mm	80	32,5	25	45	78	88	104	160	202	8	14,5	108	29,5	17,5	28,5	66	0,75
ASGE3 - 1"1/4	94003101N	94003102N	94003103N	650	1"1/4x3/4"	80	32,5	25	54	90	88	104	160	202	8	14,5	108	29,5	17,5	28,5	66	0,75
ASGE3 - 1"1/2	94003801N	94003802N	94003803N	650	1"1/2x1"	80	32,5	25	71	119	88	104	160	202	8	14,5	108	29,5	17,5	28,5	66	0,75
ASGE3 - 1"3/4	94004401N	-	-	650	1"3/4x1"1/4	80	32,5	30	-	-	88	104	160	202	8	14,5	108	29,5	17,5	28,5	66	0,80
ASGE3 - 2"	94005001N	-	-	650	2"x1"1/4	80	32,5	30	-	-	88	104	160	202	8	14,5	108	29,5	17,5	28,5	66	0,80

LINEAR CHAIN TENSIONER CHT - ASGE

