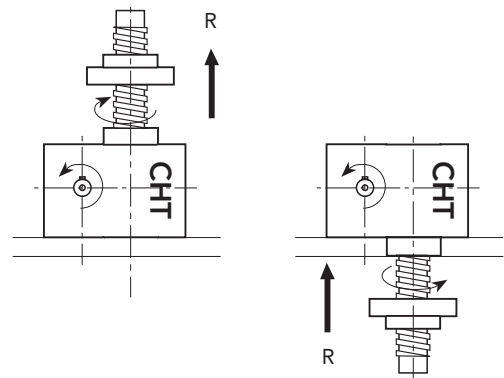
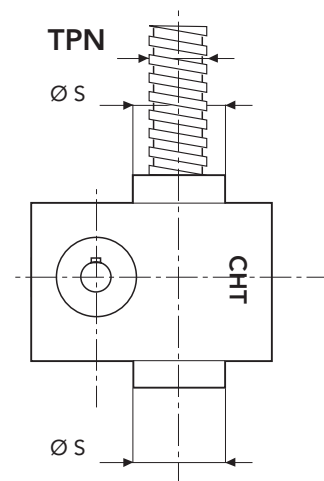
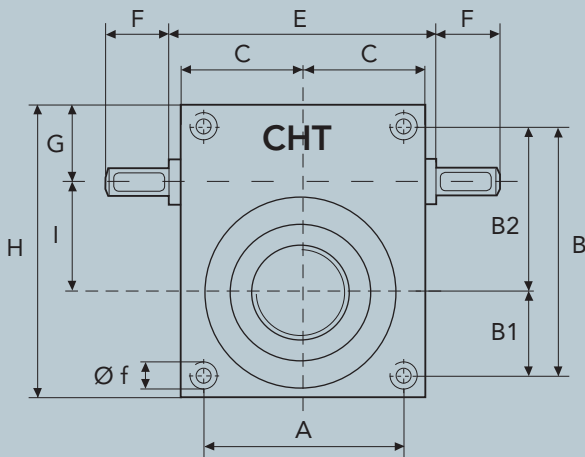
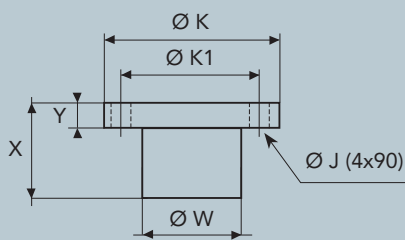


L = CORSA

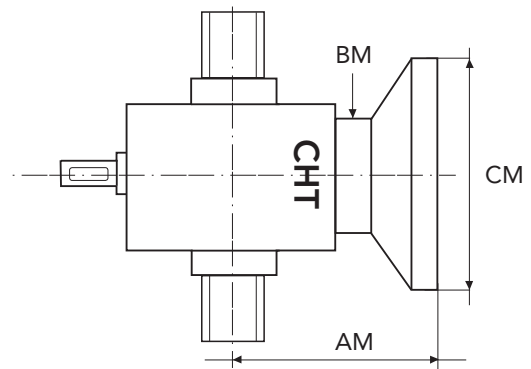


SERIES CHS 4 TS - 5000 daN · TPN 40x7

## BRONZE NUT



## MOTORS ADAPTORS FLANGES



	X	Y	Ø W	Ø K	Ø K1	Ø J
CHS4	75	15	60	96	78	9

MOTOR	FLANGE TYPE	CM	AM	BM
GR. 80	B5	200	140	108
	B14	120		
GR. 90	B5	200	140	108
	B14	140		
GR. 100/112	B5	250	140	108
	B14	160		

## CONFIGURATION

