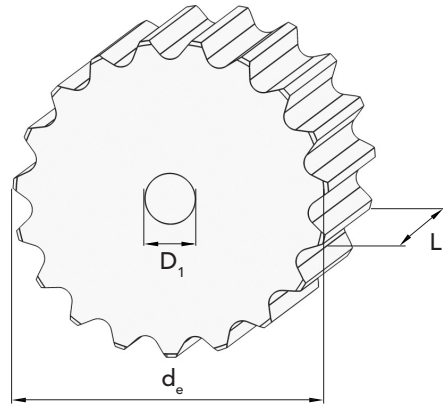




WHEELS FOR TABLE TOP CHAINS

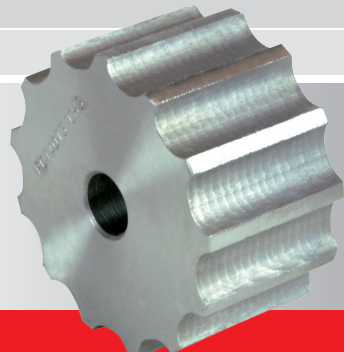
TABLETOP

P. 1" 1/2
with DIN 8153



| Z | d _e | D ₁ | PART NUMBER | L | WEIGHT kg. |
|----|----------------|----------------|-------------|------|------------|
| 13 | 78,98 | 15 | 30038013 | 43,5 | 1,86 |
| 15 | 93,67 | 15 | 30038015 | 43,5 | 1,86 |
| 17 | 105,47 | 20 | 30038017 | 43,5 | 2,34 |
| 19 | 117,34 | 20 | 30038019 | 43,5 | 3,10 |
| 21 | 129,26 | 20 | 30038021 | 43,5 | 3,70 |
| 23 | 141,22 | 20 | 30038023 | 43,5 | 4,46 |
| 25 | 153,21 | 20 | 30038025 | 43,5 | 5,50 |
| 27 | 165,20 | 20 | 30038027 | 43,5 | 6,31 |
| 29 | 177,24 | 20 | 30038029 | 43,5 | 7,31 |
| 31 | 189,28 | 20 | 30038031 | 43,5 | 8,63 |
| | | | | | |
| | | | | | |
| | | | | | |
| | | | | | |
| | | | | | |
| | | | | | |
| | | | | | |
| | | | | | |
| | | | | | |
| | | | | | |
| | | | | | |
| | | | | | |
| | | | | | |
| | | | | | |
| | | | | | |
| | | | | | |
| | | | | | |
| | | | | | |
| | | | | | |
| | | | | | |
| | | | | | |
| | | | | | |
| | | | | | |
| | | | | | |
| | | | | | |
| | | | | | |
| | | | | | |
| | | | | | |
| | | | | | |
| | | | | | |
| | | | | | |
| | | | | | |
| | | | | | |
| | | | | | |
| | | | | | |
| | | | | | |

MATERIAL FE 50



CAD drawings available on our site www.chiaravalli.com

Quantity, availability and prices on B2B Chiaravalli