

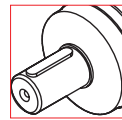


CHPL

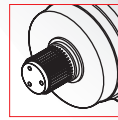
	i	
10001	3.56 ÷ 8.67	1 reduction stage
10002	13.4 ÷ 48.9	2 reduction stages
10003	57.6 ÷ 330.3	3 reduction stages
10004	352.0 ÷ 2229.7	4 reduction stages

OUT

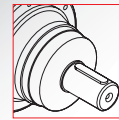
IN



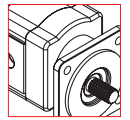
Ø90



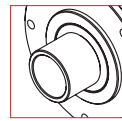
80x74
DIN 5482



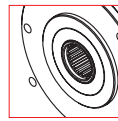
Ø42
Ø65



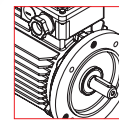
Hydraulic
Motor



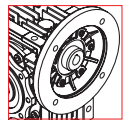
Ø100



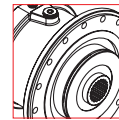
80x74
DIN 5482



Electric
Motor



Worm
gearboxes



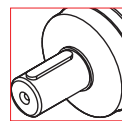
Brake

CHPLB

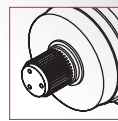
	i	
10002	12.3 ÷ 36.7	2 reduction stages
10003	46.4 ÷ 266.4	3 reduction stages
10004	140.1 ÷ 969.0	4 reduction stages

OUT

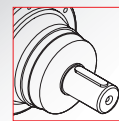
IN



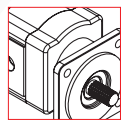
Ø90



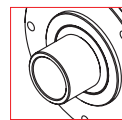
80x74
DIN 5482



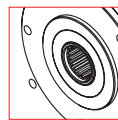
Ø42
Ø65



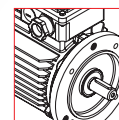
Hydraulic
Motor



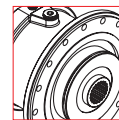
Ø100



80x74
DIN 5482

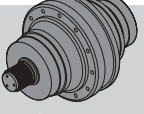
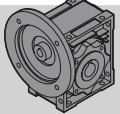
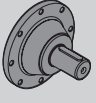


Electric
Motor



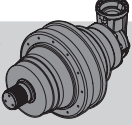
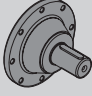
Brake

DATI TECNICI · TECHNICAL DATA

 CHPL	i	T _{2n} (n ₁ = 1400 rpm) 10.000h FS=1 [Nm]	P _{1n} (n ₁ = 1400 rpm) 10.000h FS=1 [kW]	T ₂ Max [Nm]	P _t 1400 rpm [kW]	IEC		 CHM	 CM/CP
						(B5)			
10001	3.56	5098	218	24900	40	160 200	180 225	CHM 110 CHM 130	CM65 CP65
	4.29	4448	158	21420					
	5.6	3595	98	16640					
	6.75	3000	68	12700					
	8.67	2140	38	9000					
10002	13.4	6385	75	24900	23	63 80 100 132 180	71 90 112 160	CHM 50 CHM 63 CHM 75 CHM 90 CHM 110 CHM 130	CM42 CM65 CP65
	16.2	5660	55	21420					
	18.4	6685	57	24900					
	22.1	5868	42	21420					
	25.7	6107	37.4	21420					
	28.9	4898	26.7	16640					
	33.6	5107	23.9	16640					
	40.5	4024	15.64	12700					
	48.9	4002	12.88	12700					
10003	57.6	8120	23	24900	15	63 80 100 132	71 90 112 160	CHM 50 CHM 63 CHM 75 CHM 90	CM42
	62.9	8513	22	24900					
	75.2	8482	18.4	24900					
	82.1	8797	17.48	24900					
	94.9	8028	13.8	21420					
	109.3	8040	12	21420					
	118.5	6319	8.7	16640					
	124	8208	10.8	21420					
	129.4	6426	8.1	16640					
	144	8475	9.6	21420					
	155.9	6595	6.9	16640					
	173.6	8619	8.1	21420					
	188.2	6853	5.94	16640					
	195.3	6848	5.72	16640					
	209.7	5373	4.18	12700					
	226.8	7036	5.06	16640					
	235.4	5398	3.74	12700					
274.1	7022	4.18	16640						
330.3	5791	2.86	12700						
10004	352	10995	5.28	24900	11	63 80 100 132	71 90 112 160	CHM 50 CHM 63 CHM 75 CHM 90	CM42
	388.6	11126	4.84	24900					
	421.2	11510	4.62	24900					
	440.9	10329	3.96	21420					
	459.9	11970	4.4	24900					
	507.7	11893	3.96	24900					
	531.4	10374	3.3	21420					
	554.4	12266	3.74	24900					
	576.1	8247	2.42	16640					
	612	10356	2.86	21420					
	640.5	10836	2.86	21420					
	724.4	8485	1.98	16640					
	806.4	8395	1.76	16640					
	907.3	9446	1.65	16640					
	1008.9	11817	1.98	21420					
	1093.7	9251	1.43	16640					
	1270.1	9504	1.27	16640					
	1530.9	9962	1.1	16640					
	1849.8	10231	0.94	16640					
	2229.7	7980	0.61	12700					



DATI TECNICI · TECHNICAL DATA

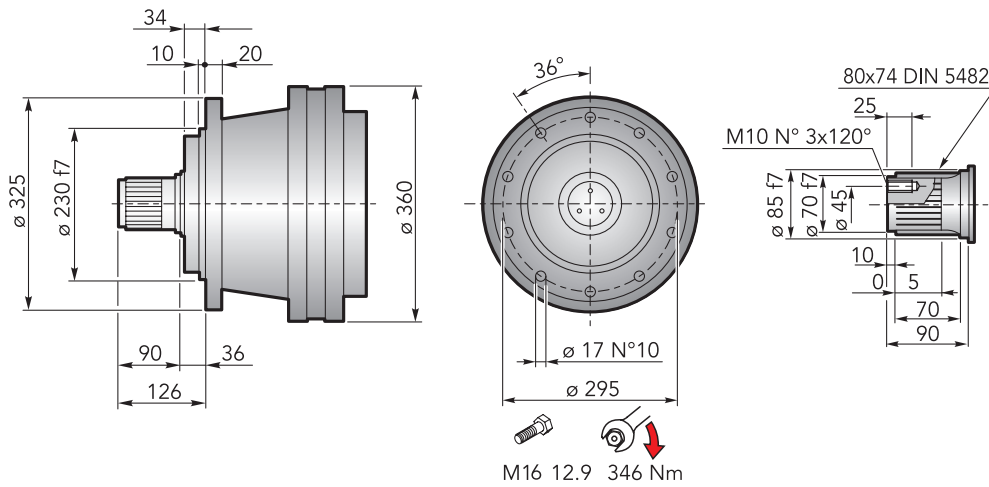
 CHPLB	i	T _{2n} (n ₁ = 1400 rpm) 10.000h FS=1 [Nm]	P _{1n} (n ₁ = 1400 rpm) 10.000h FS=1 [kW]	T ₂ Max [Nm]	P _t 1400 rpm [kW]	IEC (B5)	 CM/CP
10002	12.3	6329	81	24900	23	63 71 80 90 100 112 132 160 180	CM42 CM65 CP65
	14.8	5640	60	21420			
	19.3	4598	37.5	16640			
	23.3	3542	23.92	12700			
	30.5	4990	25.76	16640			
	36.7	3861	16.56	12700			
10003	46.4	7823	27.5	24900	15	63 71 80 90 100 112 132 160	CM42 CM65 CP65
	50.7	8206	26.4	24900			
	61.1	7004	18.7	21420			
	73.1	8379	18.7	24900			
	88.8	7785	14.3	21420			
	96.2	7785	13.2	21420			
	116.1	6264	8.8	16640			
	120.6	7984	10.8	21420			
	125.8	6479	8.4	16640			
	140	8239	9.6	21420			
	157.5	6566	6.8	16640			
	182.9	6728	6	16640			
	221	7045	5.2	16640			
	266.4	5226	3.2	12700			
10004	140.1	9614	11.6	24900	11	63 71 80 90 100 112 132 160	CM42 CM65 CP65
	168.9	9990	10	24900			
	184.4	8726	8	21420			
	203.5	8667	7.2	21420			
	230.9	10380	7.6	24900			
	265.9	9438	6	21420			
	278.4	10540	6.4	21420			
	301.8	9284	5.2	24900			
	320.6	9104	4.8	21420			
	350	7454	3.6	21420			
	379.5	7407	3.3	16640			
	418.9	7633	3.08	16640			
	457.4	7738	2.86	16640			
	510.4	7971	2.64	16640			
	551.9	8260	2.53	16640			
	665.3	8226	2.09	16640			
	803.9	8893	1.87	16640			
	969	6936	1.21	12700			

n_{1max} = 2800 rpm

per ulteriori rapporti consultare l'ufficio tecnico

for information consult the technical office

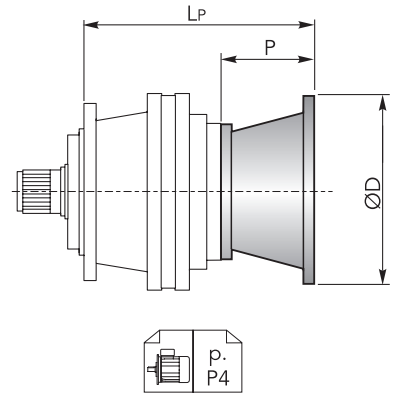
DIMENSIONI · DIMENSIONS



CHPL 10000 CMS - Flange motori IEC | IEC Motor flanges

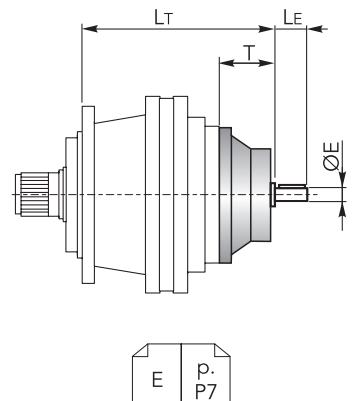
CHPL	IEC 63			IEC 71			IEC 80			IEC 90			IEC 100		
	LP	P	ØD	LP	P	ØD	LP	P	ØD	LP	P	ØD	LP	P	ØD
10001	-			-			-			-			-		
10002	331.5			331.5			351.5			351.5			361.5		
10003	392.5	36	140	392.5	36	160	412.5	56	200	412.5	56	200	422.5	66	250
10004	440.5			440.5			460.5			460.5			470.5		

CHPL	IEC 112			IEC 132			IEC 160			IEC 180			IEC 200			IEC 225		
	LP	P	ØD	LP	P	ØD	LP	P	ØD	LP	P	ØD	LP	P	ØD	LP	P	ØD
10001	-			-			342	118	350	342	118	350	372	148	400	363	139	450
10002	361.5			395.5			434.5			434.5	139	350						
10003	422.5	66	250	456.5	100	300	495.5	139	350									
10004	470.5			504.5			543.5											



CHPL 10000 CMS - Alberi maschi entrata | Male input shafts

CHPL	CM42				CM65				CP65			
	LT	T	LE	ØE	LT	T	LE	ØE	LT	T	LE	ØE
10001	-				345.5	121.5	105	65 h6	377	153	105	65 h6
10002	388.5				430.5				462			
10003	449.5	93	82	42 h6								
10004	497.5											



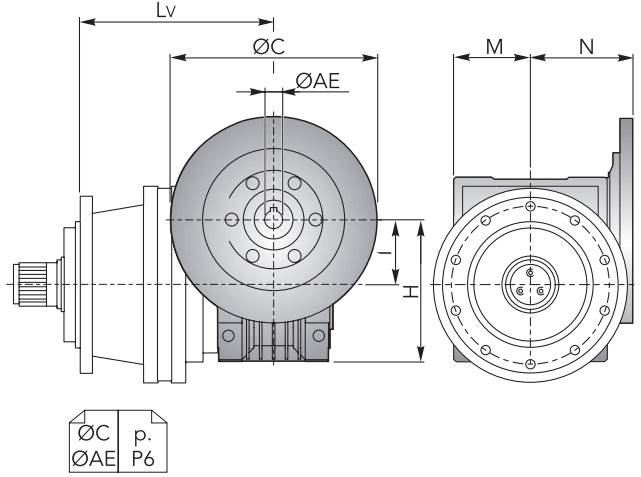


DIMENSIONI · DIMENSIONS

CHPL 10000 CMS - Riduttore a vite senza fine CHM in entrata | CHM input worm gearboxes

CHPL	CHM 50					CHM 63					CHM 75				
	Lv	I	H	M	N	Lv	I	H	M	N	Lv	I	H	M	N
10001	-					-					-				
10002	421					430.5					409.5				
10003	482	50	110	60	80	491.5	63	135	72	95	470.5	75	161	86	112.5
10004	530					539.5					518.5				

CHPL	CHM 90					CHM 110					CHM 130					
	Lv	I	H	M	N	Lv	I	H	M	N	Lv	I	H	M	N	
10001	-					362					369					
10002	419.5					447	110	237.5	127.5	160	454	130	277.5	147.5	180	
10003	480.5	90	193	103	129.5	-					-					
10004	528.5					-					-					

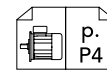
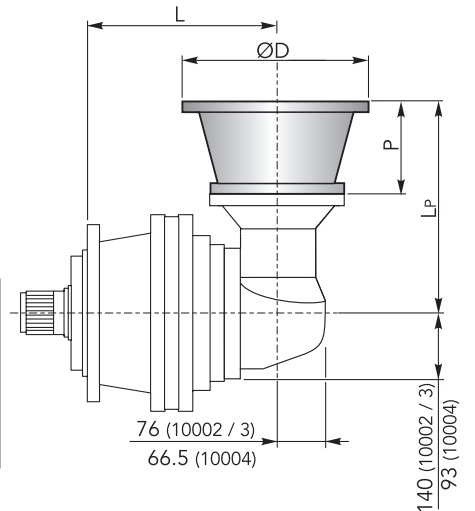


CHPL / CHPLB 10000 CMS

CHPLB 10000 CMS - Flange motori IEC | IEC Motor flanges

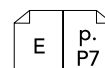
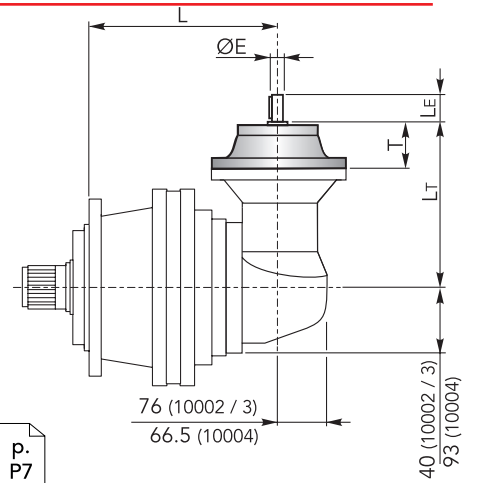
CHPLB	IEC 63				IEC 71				IEC 80				IEC 90			
	L	LP	P	ØD	L	LP	P	ØD	L	LP	P	ØD	L	LP	P	ØD
10002	312				312				312				312			
10003	397	276	36	140	397	276	36	160	397	296	56	200	397	296	56	200
10004	431.5	196			431.5	196			431.5	216			431.5	216		

CHPLB	IEC 100				IEC 112				IEC 132				IEC 160				IEC 180			
	L	LP	P	ØD	L	LP	P	ØD	L	LP	P	ØD	L	LP	P	ØD	L	LP	P	ØD
10002	312				312				312				312				312	379	139	350
10003	397	306	66	250	397	306	66	250	397	340	100	300	397	379	139	350	-			
10004	431.5	226			431.5	226			431.5	260			431.5	299			-			

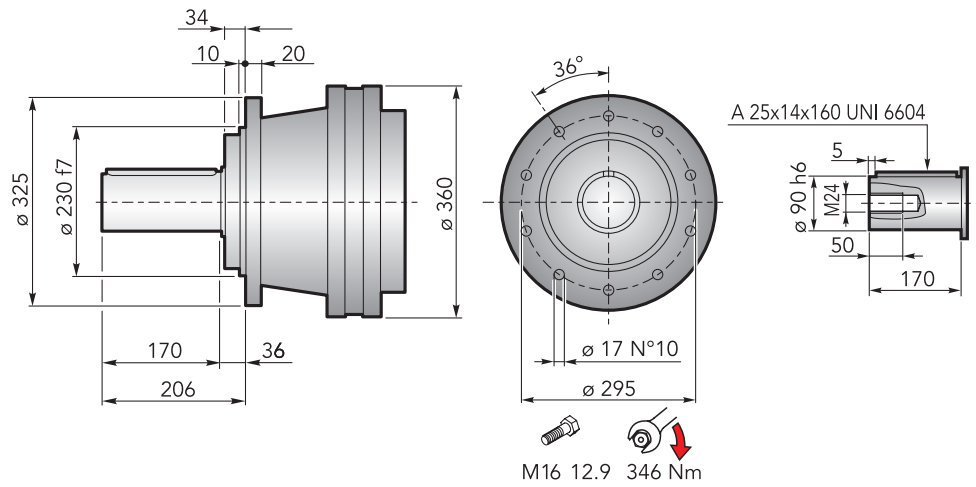


CHPLB 10000 CMS - Alberi maschi entrata | Male input shafts

CHPLB	CM42					CM65					CP65				
	L	Lt	T	Le	ØE	L	Lt	T	Le	ØE	L	Lt	T	Le	ØE
10002	312					312					312				
10003	397	333	93	82	42 h6	397	377.5	121.5	105	65 h6	397	409	153	105	65 h6
10004	431.5	253				431.5	297.5				431.5	329			



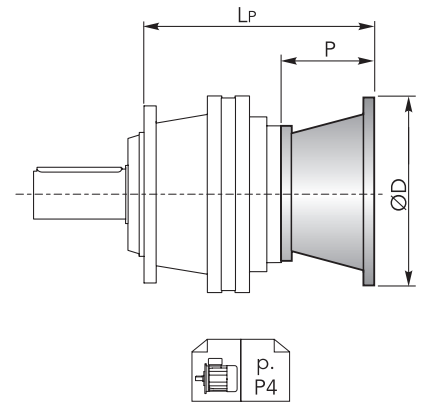
DIMENSIONI · DIMENSIONS



CHPL 10000 CMC - Flange motori IEC | IEC Motor flanges

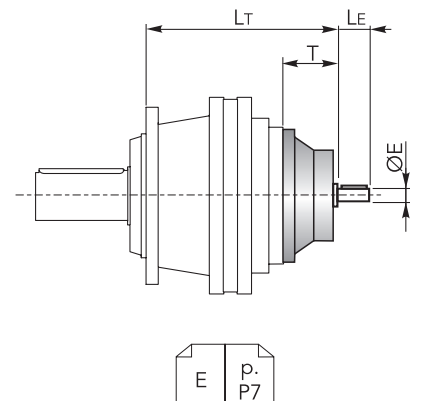
CHPL	IEC 63			IEC 71			IEC 80			IEC 90			IEC 100		
	LP	P	ØD	LP	P	ØD	LP	P	ØD	LP	P	ØD	LP	P	ØD
10001	-			-			-			-			-		
10002	331.5			331.5			351.5			351.5			361.5		
10003	392.5	36	140	392.5	36	160	412.5	56	200	412.5	56	200	422.5	66	250
10004	440.5			440.5			460.5			460.5			470.5		

CHPL	IEC 112			IEC 132			IEC 160			IEC 180			IEC 200			IEC 225		
	LP	P	ØD	LP	P	ØD	LP	P	ØD	LP	P	ØD	LP	P	ØD	LP	P	ØD
10001	-			-			342	118	350	342	118	350	372	148	400	363	139	450
10002	361.5			395.5			434.5			434.5	139	350	-			-		
10003	422.5	66	250	456.5	100	300	495.5	139	350	-			-			-		
10004	470.5			504.5			543.5			-			-			-		



CHPL 10000 CMC - Alberi maschi entrata | Male input shafts

CHPL	CM42				CM65				CP65			
	LT	T	LE	ØE	LT	T	LE	ØE	LT	T	LE	ØE
10001	-				345.5	121.5	105	65 h6	377	153	105	65 h6
10002	388.5				430.5				462			
10003	449.5	93	82	42 h6	-				-			
10004	497.5				-				-			



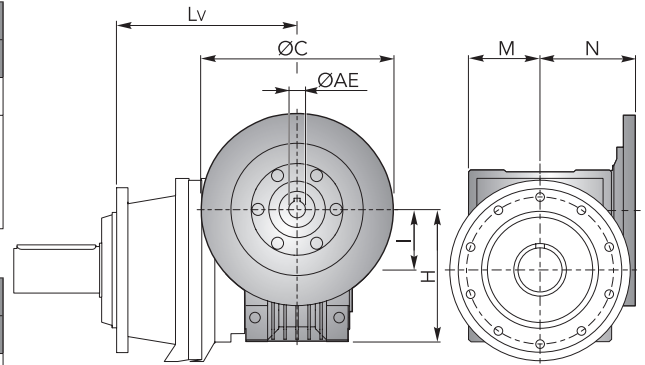


DIMENSIONI · DIMENSIONS

CHPL 10000 CMC - Riduttore a vite senza fine CHM in entrata | *CHM input worm gearboxes*

CHPL	CHM 50					CHM 63					CHM 75				
	Lv	I	H	M	N	Lv	I	H	M	N	Lv	I	H	M	N
10001	-					-					-				
10002	421					430.5					409.5				
10003	482	50	110	60	80	491.5	63	135	72	95	470.5	75	161	86	112.5
10004	530					539.5					518.5				

CHPL	CHM 90					CHM 110					CHM 130				
	Lv	I	H	M	N	Lv	I	H	M	N	Lv	I	H	M	N
10001	-					-					-				
10002	419.5					362	110	237.5	127.5	160	369	130	277.5	147.5	180
10003	480.5	90	193	103	129.5	-					-				
10004	528.5					-					-				

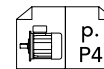
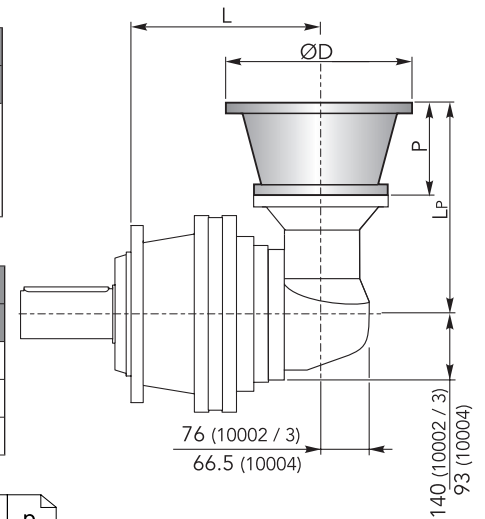


CHPL / CHPLB 10000 CMC

CHPLB 10000 CMC - Flange motori IEC | *IEC Motor flanges*

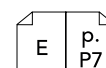
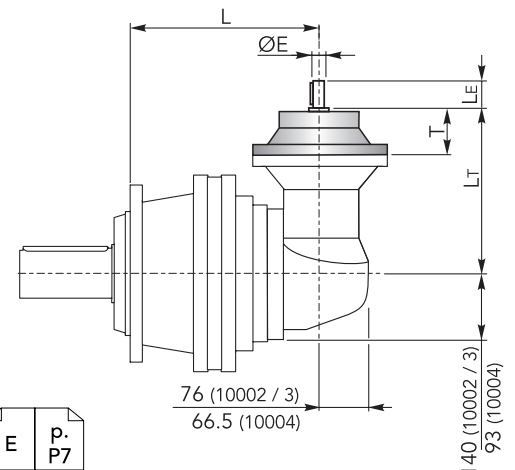
CHPLB	IEC 63				IEC 71				IEC 80				IEC 90			
	L	LP	P	ØD	L	LP	P	ØD	L	LP	P	ØD	L	LP	P	ØD
10002	312				312				312				312			
10003	397	276	36	140	397	276	36	160	397	296	56	200	397	296	56	200
10004	431.5	196			431.5	196			431.5	216			431.5	216		

CHPLB	IEC 100				IEC 112				IEC 132				IEC 160				IEC 180			
	L	LP	P	ØD	L	LP	P	ØD	L	LP	P	ØD	L	LP	P	ØD	L	LP	P	ØD
10002	312				312				312				312				312	379	139	350
10003	397	306	66	250	397	306	66	250	397	340	100	300	397	379	139	350	-			
10004	431.5	226			431.5	226			431.5	260			431.5	299			-			



CHPLB 10000 CMC - Alberi maschi entrata | *Male input shafts*

CHPLB	CM42					CM65					CP65				
	L	Lt	T	Le	ØE	L	Lt	T	Le	ØE	L	Lt	T	Le	ØE
10002	312					312					312				
10003	397	333	93	82	42 h6	397	377.5	121.5	105	65 h6	397	409	153	105	65 h6
10004	431.5	253				431.5	297.5				431.5	329			



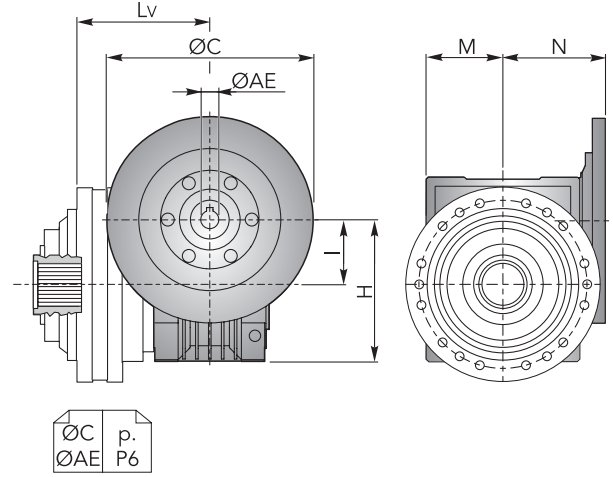


DIMENSIONI · DIMENSIONS

CHPL 10000 CF - Riduttore a vite senza fine CHM in entrata | CHM input worm gearboxes

CHPL	CHM 50					CHM 63					CHM 75				
	Lv	I	H	M	N	Lv	I	H	M	N	Lv	I	H	M	N
10001	-					-					-				
10002	308					317.5					296.5				
10003	369	50	110	60	80	378.5	63	135	72	95	357.5	75	161	86	112.5
10004	417					426.5					405.5				

CHPL	CHM 90					CHM 110					CHM 130				
	Lv	I	H	M	N	Lv	I	H	M	N	Lv	I	H	M	N
10001	-					-					-				
10002	306.5					334	110	237.5	127.5	160	256	130	277.5	147.5	180
10003	367.5	90	193	103	129.5										
10004	415.5														

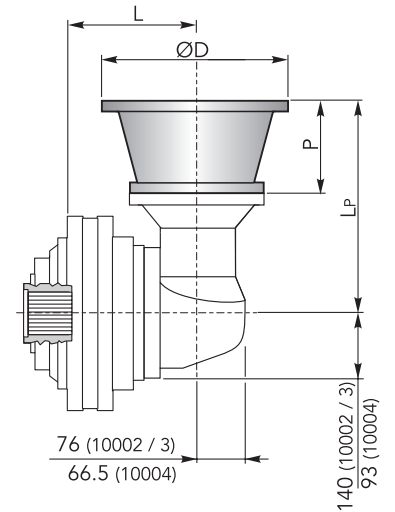


CHPL / CHPLB 10000 CF

CHPLB 10000 CF - Flange motori IEC | IEC Motor flanges

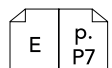
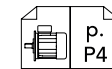
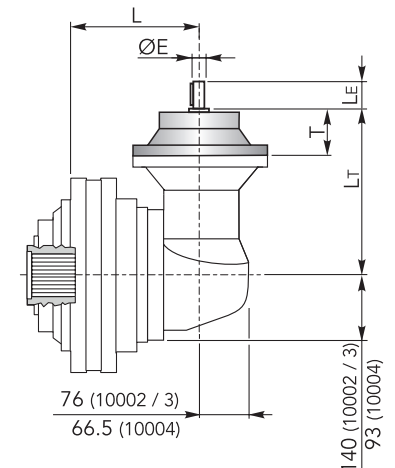
CHPLB	IEC 63				IEC 71				IEC 80				IEC 90			
	L	Lp	P	ØD	L	Lp	P	ØD	L	Lp	P	ØD	L	Lp	P	ØD
10002	199				199				199				199			
10003	284	276	36	140	284	276	36	160	284	296	56	200	284	296	56	200
10004	318.5	196			318.5	196			318.5	216			318.5	216		

CHPLB	IEC 100				IEC 112				IEC 132				IEC 160				IEC 180				
	L	Lp	P	ØD	L	Lp	P	ØD	L	Lp	P	ØD	L	Lp	P	ØD	L	Lp	P	ØD	
10002	199				199				199				199				199				350
10003	284	306	66	250	284	306	66	250	284	340	100	300	284	379	139	350					
10004	318.5	226			318.5	226			318.5	260			318.5	299							

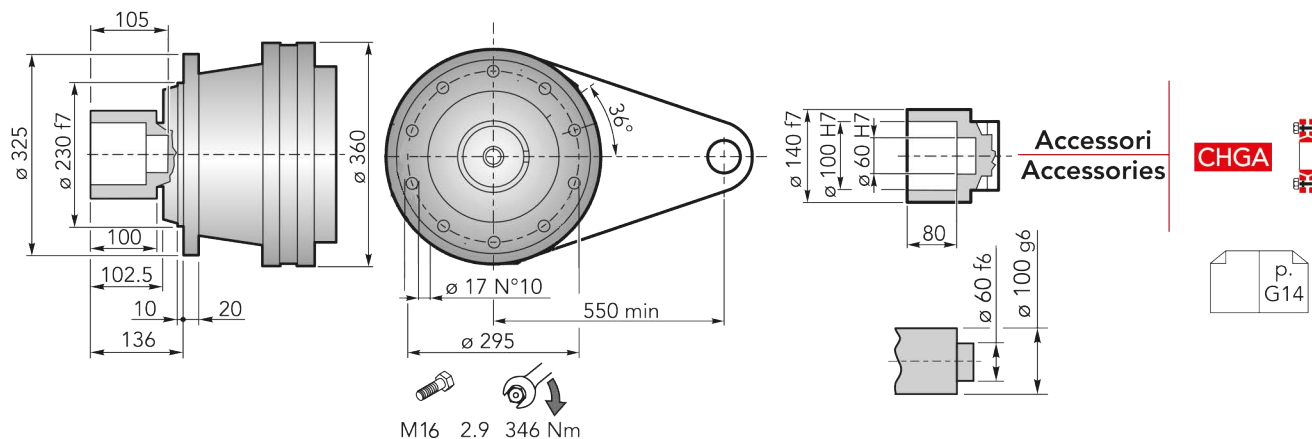


CHPLB 10000 CF - Alberi maschi entrata | Male input shafts

CHPLB	CM42					CM65					CP65				
	L	Lt	T	Le	ØE	L	Lt	T	Le	ØE	L	Lt	T	Le	ØE
10002	199					199					199				
10003	284	333	93	82	42 h6	284	377.5	121.5	105	65 h6	284	409	153	105	65 h6
10004	318.5	253				318.5	297.5				318.5	329			



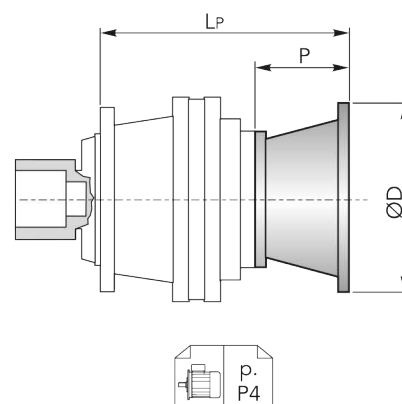
DIMENSIONI · DIMENSIONS



CHPL 10000 CFS - Flange motori IEC | IEC Motor flanges

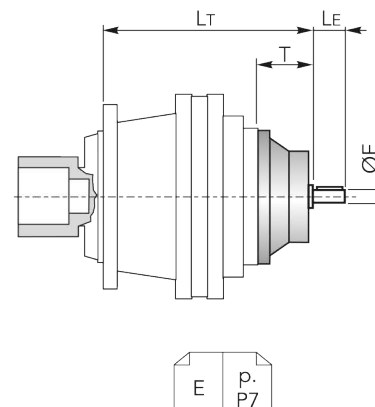
CHPL	IEC 63			IEC 71			IEC 80			IEC 90			IEC 100		
	LP	P	ØD	LP	P	ØD	LP	P	ØD	LP	P	ØD	LP	P	ØD
10001	-	-	-	-	-	-	-	-	-	-	-	-	-	-	-
10002	331.5	-	-	331.5	-	-	351.5	-	-	351.5	-	-	361.5	-	-
10003	392.5	36	140	392.5	36	160	412.5	56	200	412.5	56	200	422.5	66	250
10004	440.5	-	-	440.5	-	-	460.5	-	-	460.5	-	-	470.5	-	-

CHPL	IEC 112			IEC 132			IEC 160			IEC 180			IEC 200			IEC 225		
	LP	P	ØD	LP	P	ØD	LP	P	ØD	LP	P	ØD	LP	P	ØD	LP	P	ØD
10001	-	-	-	-	-	-	342	118	350	342	118	350	372	148	400	363	139	450
10002	361.5	-	-	395.5	-	-	434.5	-	-	434.5	139	350	-	-	-	-	-	-
10003	422.5	66	250	456.5	100	300	495.5	139	350	-	-	-	-	-	-	-	-	-
10004	470.5	-	-	504.5	-	-	543.5	-	-	-	-	-	-	-	-	-	-	-



CHPL 10000 CFS - Alberi maschi entrata | Male input shafts

CHPL	CM42				CM65				CP65			
	LT	T	LE	ØE	LT	T	LE	ØE	LT	T	LE	ØE
10001	-	-	-	-	345.5	-	-	-	377	-	-	-
10002	388.5	-	-	-	430.5	121.5	105	65 h6	462	153	105	65 h6
10003	449.5	93	82	42 h6	-	-	-	-	-	-	-	-
10004	497.5	-	-	-	-	-	-	-	-	-	-	-



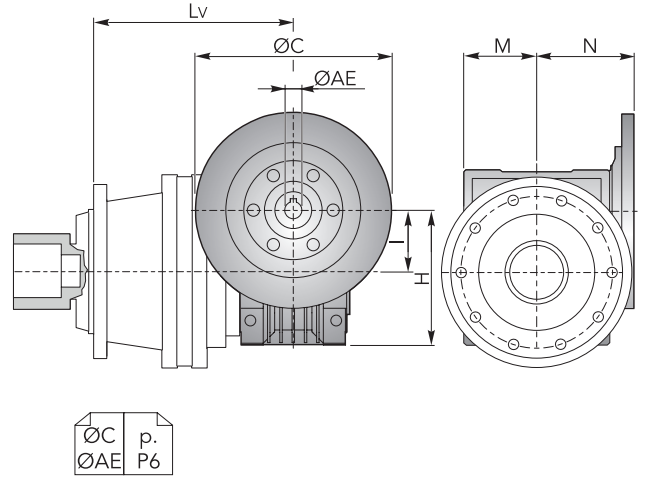


DIMENSIONI · DIMENSIONS

CHPL 10000 CFS - Riduttore a vite senza fine CHM in entrata | CHM input worm gearboxes

CHPL	CHM 50					CHM 63					CHM 75				
	Lv	I	H	M	N	Lv	I	H	M	N	Lv	I	H	M	N
10001	-					-					-				
10002	421					430.5					409.5				
10003	482	50	110	60	80	491.5	63	135	72	95	470.5	75	161	86	112.5
10004	530					539.5					518.5				

CHPL	CHM 90					CHM 110					CHM 130				
	Lv	I	H	M	N	Lv	I	H	M	N	Lv	I	H	M	N
10001	-					362	110	237.5	127.5	160	369	130	277.5	147.5	180
10002	419.5					447					454				
10003	480.5	90	193	103	129.5	-					-				
10004	528.5					-					-				

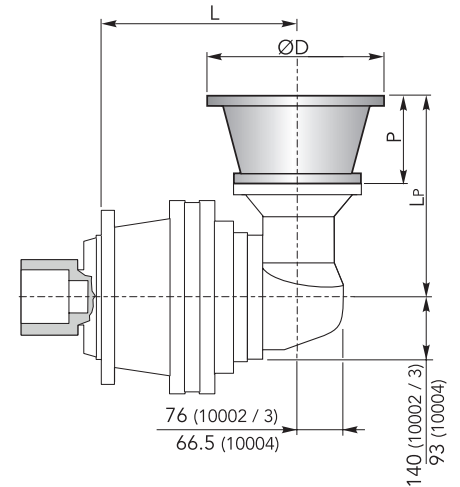


CHPL / CHPLB 10000 CFS

CHPLB 10000 CFS - Flange motori IEC | IEC Motor flanges

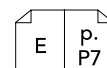
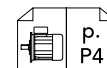
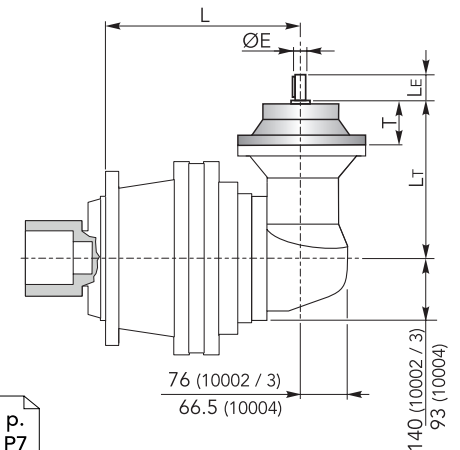
CHPLB	IEC 63				IEC 71				IEC 80				IEC 90			
	L	LP	P	ØD	L	LP	P	ØD	L	LP	P	ØD	L	LP	P	ØD
10002	312				312				312				312			
10003	397	276	36	140	397	276	36	160	397	296	56	200	397	296	56	200
10004	431.5	196			431.5	196			431.5	216			431.5	216		

CHPLB	IEC 100				IEC 112				IEC 132				IEC 160				IEC 180			
	L	LP	P	ØD	L	LP	P	ØD	L	LP	P	ØD	L	LP	P	ØD	L	LP	P	ØD
10002	312				312				312				312				312	379	139	350
10003	397	306	66	250	397	306	66	250	397	340	100	300	397	379	139	350	-			
10004	431.5	226			431.5	226			431.5	260			431.5	299			-			

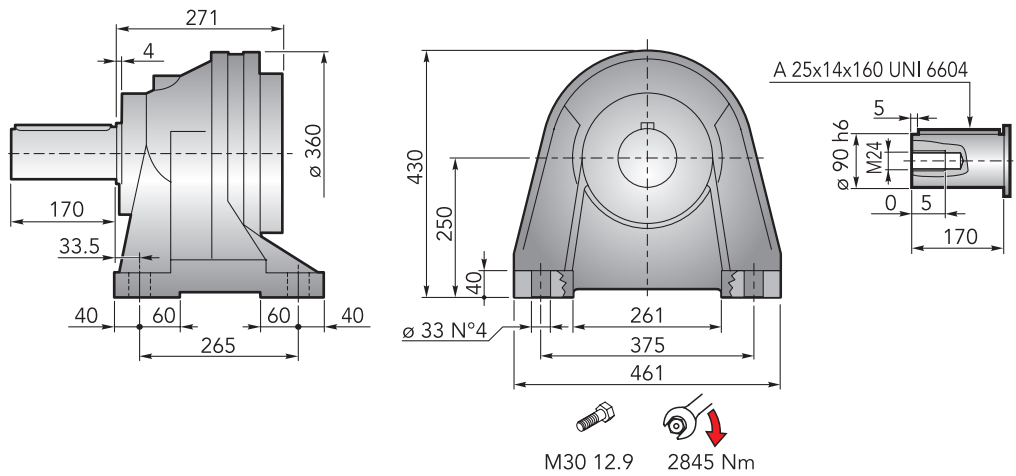


CHPLB 10000 CFS - Alberi maschi entrata | Male input shafts

CHPLB	CM42					CM65					CP65				
	L	Lt	T	Le	ØE	L	Lt	T	Le	ØE	L	Lt	T	Le	ØE
10002	312					312					312				
10003	397	333	93	82	42 h6	397	377.5	121.5	105	65 h6	397	409	153	105	65 h6
10004	431.5	253				431.5	297.5				431.5	329			



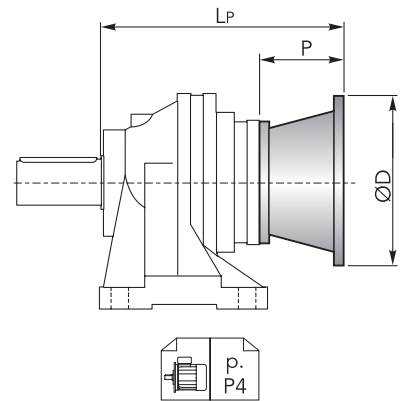
DIMENSIONI · DIMENSIONS



CHPL 10000 CCPC - Flange motori IEC | IEC Motor flanges

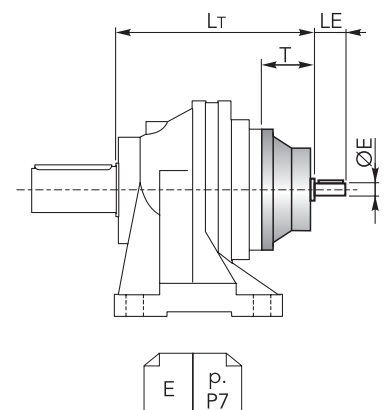
CHPL	IEC 63			IEC 71			IEC 80			IEC 90			IEC 100		
	LP	P	ØD	LP	P	ØD	LP	P	ØD	LP	P	ØD	LP	P	ØD
10001	-	-	-	-	-	-	-	-	-	-	-	-	-	-	-
10002	378.5	-	-	378.5	-	-	398.5	-	-	398.5	-	-	408.5	-	-
10003	439.5	36	140	439.5	36	160	459.5	56	200	459.5	56	200	469.5	66	250
10004	487.5	-	-	487.5	-	-	507.5	-	-	507.5	-	-	517.5	-	-

CHPL	IEC 112			IEC 132			IEC 160			IEC 180			IEC 200			IEC 225		
	LP	P	ØD	LP	P	ØD	LP	P	ØD	LP	P	ØD	LP	P	ØD	LP	P	ØD
10001	-	-	-	-	-	-	389	118	350	389	118	350	419	148	400	410	139	450
10002	408.5	-	-	442.5	-	-	481.5	-	-	481.5	139	350	-	-	-	-	-	-
10003	469.5	66	250	503.5	100	300	542.5	139	350	-	-	-	-	-	-	-	-	-
10004	517.5	-	-	551.5	-	-	590.5	-	-	-	-	-	-	-	-	-	-	-



CHPL 10000 CCPC - Alberi maschi entrata | Male input shafts

CHPL	CM42				CM65				CP65			
	LT	T	LE	ØE	LT	T	LE	ØE	LT	T	LE	ØE
10001	-	-	-	-	392.5	-	-	-	424	-	-	-
10002	435.5	-	-	-	477.5	121.5	105	65 h6	509	153	105	65 h6
10003	496.5	93	82	42 h6	-	-	-	-	-	-	-	-
10004	544.5	-	-	-	-	-	-	-	-	-	-	-



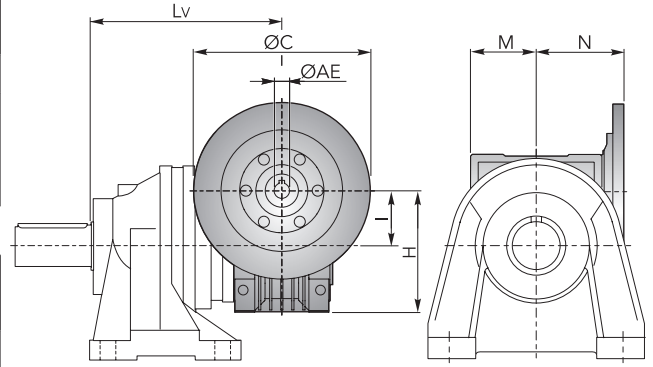


DIMENSIONI · DIMENSIONS

CHPL 10000 CCPC - Riduttore a vite senza fine CHM in entrata | CHM input worm gearboxes

CHPL	CHM 50					CHM 63					CHM 75				
	Lv	I	H	M	N	Lv	I	H	M	N	Lv	I	H	M	N
10001	-					-					-				
10002	468					477.5					456.5				
10003	529	50	110	60	80	538.5	63	135	72	95	517.5	75	161	86	112.5
10004	577					586.5					565.5				

CHPL	CHM 90					CHM 110					CHM 130					
	Lv	I	H	M	N	Lv	I	H	M	N	Lv	I	H	M	N	
10001	-					409					416					
10002	466.5					494	110	237.5	127.5	160	501	130	277.5	147.5	180	
10003	527.5	90	193	103	129.5	-					-					
10004	575.5					-					-					

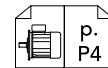
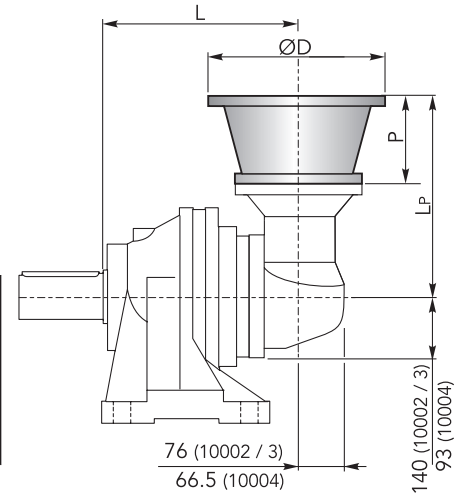


CHPL / CHPLB 10000 CCPC

CHPLB 10000 CCPC - Flange motori IEC | IEC Motor flanges

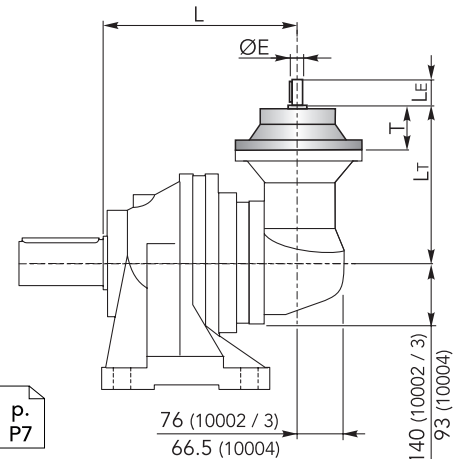
CHPLB	IEC 63				IEC 71				IEC 80				IEC 90			
	L	Lp	P	ØD	L	Lp	P	ØD	L	Lp	P	ØD	L	Lp	P	ØD
10002	359				359				359				359			
10003	444	276	36	140	444	276	36	160	444	296	56	200	444	296	56	200
10004	478.5	196			478.5	196			478.5	216			478.5	216		

CHPLB	IEC 100				IEC 112				IEC 132				IEC 160				IEC 180				
	L	Lp	P	ØD	L	Lp	P	ØD	L	Lp	P	ØD	L	Lp	P	ØD	L	Lp	P	ØD	
10002	359				359				359				359				359				350
10003	444	306	66	250	444	306	66	250	444	340	100	300	444	379	139	350	-				
10004	478.5	226			478.5	226			478.5	260			478.5	299			-				



CHPLB 10000 CCPC - Alberi maschi entrata | Male input shafts

CHPLB	CM42					CM65					CP65				
	L	Lt	T	Le	ØE	L	Lt	T	Le	ØE	L	Lt	T	Le	ØE
10002	359					359					359				
10003	444	333	93	82	42 h6	444	377.5	121.5	105	65 h6	444	409	153	105	65 h6
10004	478.5	253				478.5	297.5				478.5	329			

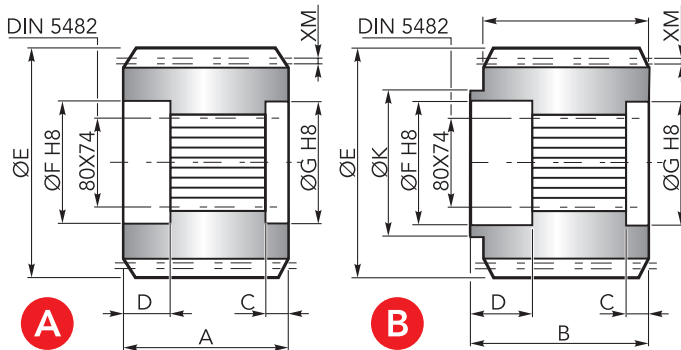


ACCESSORI · ACCESSORIES

CHYZ



Pignoni | Pinions

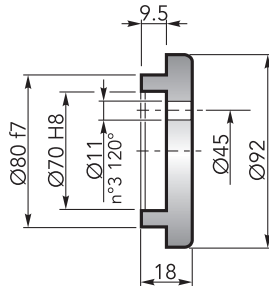


	Uscita / Output	M	Z	XM	A	B	C	D	E	F	G	K	Codice / Code
A	CMC	10	12	0	90	-	10	31	140	85	80	-	1071.236.042
	CMC	10	14	0	90	-	10	31	160	85	80	-	1071.238.042
B	CMC	12	14	3	90	115	25	31	194.5	85	80	130	1071.286.042

CHFF



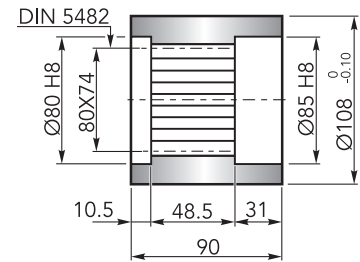
Fondello di arresto | Stop bottom plate

Codice / Code:
1075.030.000

CHBS



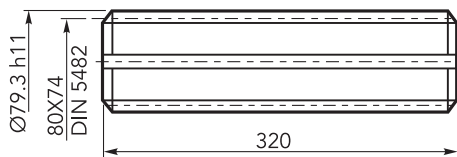
Boccola scanalata | Splined bushing

Codice / Code:
6171.103.076

CHKB



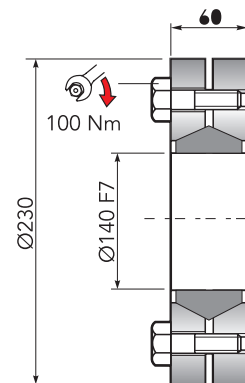
Barra scanalata | Splined rod

Codice / Code:
3071.406.042

CHGA



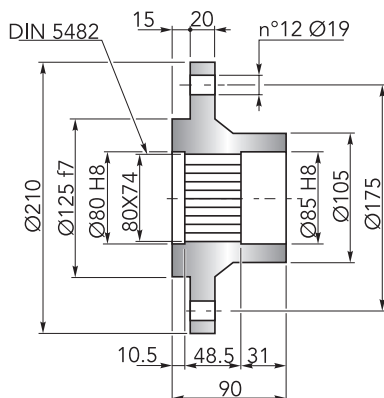
Giunto di attrito | Shrink disc

Codice / Code:
5109.140.000Coppia max: 17600 Nm(1)
Max Torque: 17600 Nm(1)Codice / Code:
5109.140.000

CHFL



Flangia | Flange

Codice / Code:
6171.105.098

(1): Coppia max indicata è valida solo con calettatori forniti da Chiaravalli S.p.A.

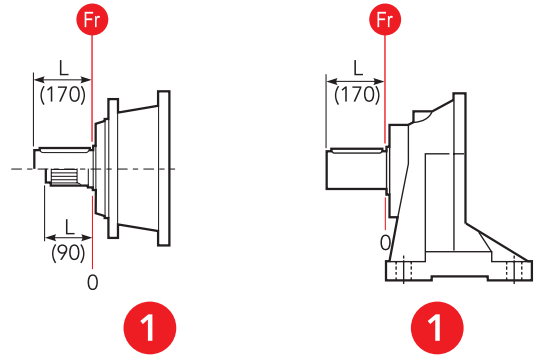
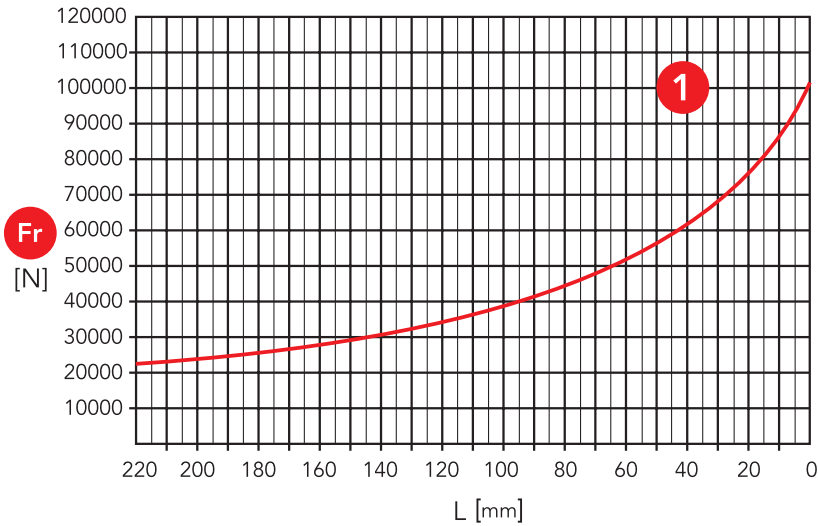
(1): The maximum torque indicated is valid only with shrink discs supplied by Chiaravalli S.p.A.



CARICHI RADIALI (Fr) · RADIAL LOADS (Fr)

Nel diagramma seguente, sono indicati i carichi radiali Fr (N) applicabili sull'albero uscita in funzione della distanza di applicazione L rispetto alla battuta dell'albero.

The hereunder table shows the allowable radial loads Fr (N) on the output shaft with reference to the distance L .



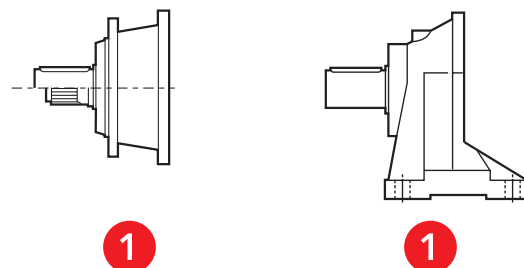
1 Uscita / Output: CMS, CMC, CCPC

CARICHI ASSIALI (Fa) · AXIAL LOADS (Fa)

Nella tabella seguente sono indicati i carichi assiali Fa (N) applicabili sull'albero di uscita in funzione della direzione di applicazione del carico e della versione.

The hereunder table shows the allowable axial loads Fa (N) on the output shaft with reference to the load direction and the output type.

	1	
Fa [N]	40000	←
	65000	→



1 Uscita / Output: CMS, CMC, CCPC