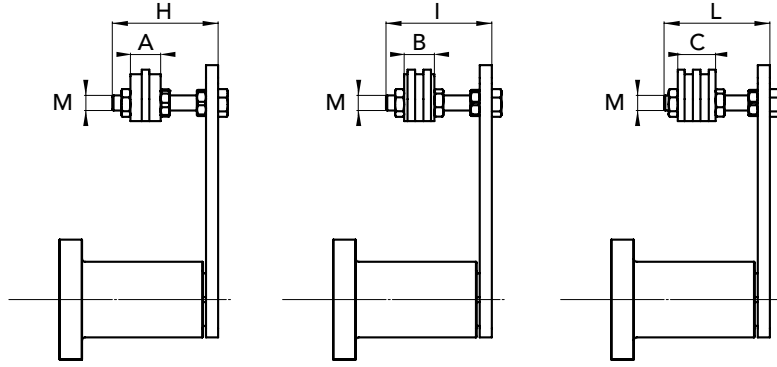




- Tensioner E with sliding block chain tensioner in polyethylene UHMW high molecular mass (1.000.000) material
- Available in different colors
- Provided with bushing kit allowing the free movement of the sliding block
- Flexible rubber items



Simple B1

Double B2

Triple B3

TYPE	P. NUMBER SIMPLE	P. NUMBER DOUBLE	P. NUMBER TRIPLE	Step Chain	A	B	C	H	I	L	M	WEIGHT Kg.
EGE 1 - 3/8	94070901	94070902	-	3/8 X 7/32"	20	20	-	45	45	-	M8	0,30
EGE 2 - 3/8	-	-	94070903	3/8 X 7/32"	-	-	25	-	-	45	M10	0,50
EGE 2 - 1/2	94071201	94071202	-	1/2" X 5/16"	20	20	-	55	55	-	M10	0,50
EGE 3 - 1/2	94071211	94071212	94071213	1/2" X 5/16"	20	20	35	55	60	70	M10	0,75
EGE 3 - 5/8	94071501	94071502	-	5/8" X 3/8"	20	25	-	55	70	-	M10	0,78
EGE 3 - 3/4	94071901	94071902	-	3/4" X 7/16"	20	30	-	60	70	-	M10	0,80
EGE 4 - 5/8	-	-	94071503	5/8" X 3/8"	-	-	40	-	-	100	M12	2,10
EGE 4 - 3/4	94071911	94071912	94071913	3/4" X 7/16"	20	30	49	80	80	100	M12	2,10
EGE 4 - 1	94072501	94072502	94072503	1" X 17 mm	20	45	78	80	90	100	M12	2,20
EGE 5 - 1	-	94072512	94072513	1" X 17 mm	-	45	78	-	100	120	M20	4,00
EGE 5 - 1 1/4	94073101	94073102	94073103	1"1/4 x 3/4"	20	54	90	100	120	130	M20	4,20
EGE 5 - 1 1/2	94073801	94073802	94073803	1"1/2 x 1"	20	71	119	100	120	130	M20	4,20

