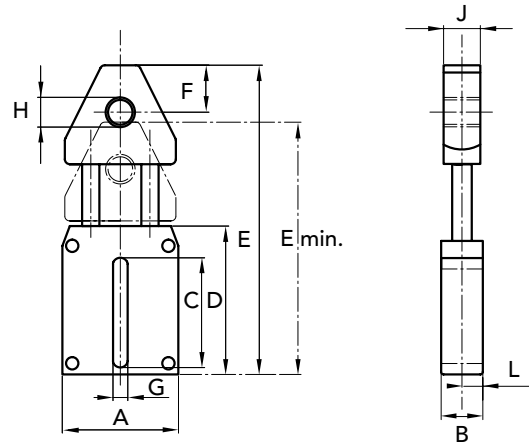




- Linear moving up to 30 mm
- Body frame in die-cast high-tensile aluminum
- Aluminum head to secure the accessories R and RU
- Steel spring and flexible items



TYPE	P. NUMBER	Newton	A	B	C	D	E	E min.	F	G	H	J	L	WEIGHT Kg.
L 1	94020001	210	60	25	56	76	146	116	15	10,5	M 12	20	12,5	0,59
L 2	94020002	300	60	25	56	76	156	126	15	12,5	M 12	20	12,5	0,61
L 3	94020003	450	60	25	56	76	166	136	15	12,5	M 12	20	12,5	0,65

On request we can supply the basic body frame in polyamide 66 FV 50.

CAD drawings available on our site  
[www.chiaravalli.com](http://www.chiaravalli.com)

Quantity, availability and prices  
 on B2B Chiaravalli

