



PROFILE SFC

MADE IN ITALY

Standard lengths 2 METERS

(on request we provide higher lengths)

Material: PE-UHMW High molecular weight polyethylene (p.m. over 1.000.000)

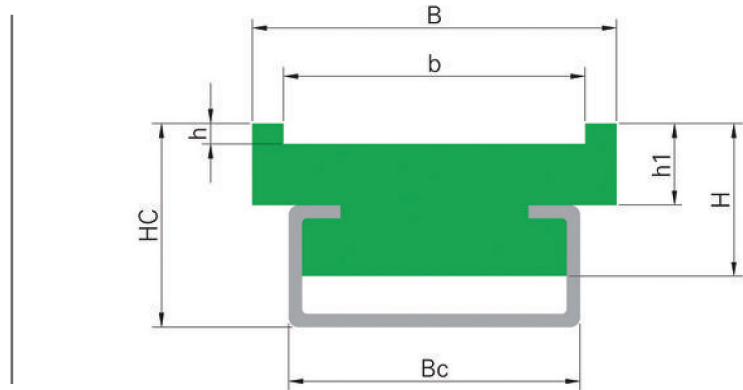
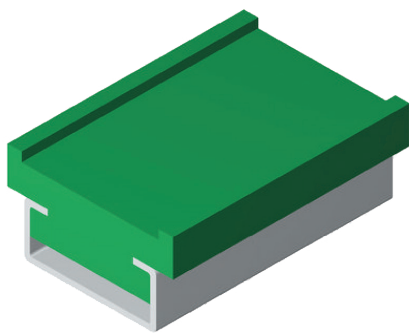
Color: green

Specific gravity: g/cm³ 0,945

Dynamic friction coefficient: 0.2 (P = 0.05 N/mm² - V = 0.6 m/s - T = 40°C)

Temperature range : -70°C ÷ 65°C

Linear thermal expansion: mm 2 every 10°C from the temperature of 20°C.



DESCRIPTION	ARTICLE CODE	REFERENCE BELT	B	H	BC	HC	h1	b	h	METALLIC PROFILE	WEIGHT
			mm	mm	mm	mm	mm	mm	mm		Kg/piece
SFC 5-16	GC 2 70 01 2	T5 16-AT5 16	25.0	15.0	28.0	19.0	7.0	17.0	1.8	C-5	0,88
SFC 5-25	GC 2 70 02 2	T5 25-AT5 25	34.0	15.0	28.0	19.0	7.0	26.0	1.8	C-5	1,14
SFC 5-32	GC 2 70 03 2	T5 32-AT5 32	41.0	20.0	38.0	25.0	7.0	33.0	1.8	C-9	1,79
SFC 5-50	GC 2 70 04 2	T5 50-AT5 50	59.0	20.0	38.0	25.0	7.0	51.0	1.8	C-9	2,79
SFC 10-16	GC 2 70 05 2	T10 16-AT10 16	25.0	17.0	28.0	21.0	9.0	17.0	3.8	C-5	1,18
SFC 10-25	GC 2 70 06 2	T10 25-AT10 25	34.0	17.0	28.0	21.0	9.0	26.0	3.8	C-5	1,52
SFC 10-32	GC 2 70 07 2	T10 32-AT10 32	41.0	22.0	38.0	27.0	9.0	33.0	3.8	C-9	2,23
SFC 10-50	GC 2 70 08 2	T10 50-AT10 50	59.0	22.0	38.0	27.0	9.0	51.0	3.8	C-9	3,09
SFC 10-75	GC 2 70 09 2	T10 75-AT10 75	84.0	22.0	38.0	27.0	9.0	76.0	3.8	C-9	4,63
SFC 10-100	GC 2 70 10 2	T10 100-AT10 100	109.0	22.0	38.0	27.0	9.0	101.0	3.8	C-9	6,18
SFC 20-25	GC 2 70 11 2	T20 25-AT20 25	34.0	20.0	28.0	24.0	12.0	26.0	7.0	C-5	1,52
SFC 20-32	GC 2 70 12 2	T20 32-AT20 32	41.0	25.0	38.0	30.0	12.0	33.0	7.0	C-9	2,23
SFC 20-50	GC 2 70 13 2	T20 50-AT20 50	59.0	25.0	38.0	30.0	12.0	51.0	7.0	C-9	3,09
SFC 20-75	GC 2 70 14 2	T20 75-AT20 75	84.0	25.0	38.0	30.0	12.0	76.0	7.0	C-9	4,63
SFC 20-100	GC 2 70 15 2	T20 100-AT20 100	109.0	25.0	38.0	30.0	12.0	101.0	7.0	C-9	6,18

METALLIC PROFILE NOT INCLUDED

Note: all value have been measured in standard weather conditions: 23°C/73°F with 50% relative humidity (DIN 50005/ISO 554)