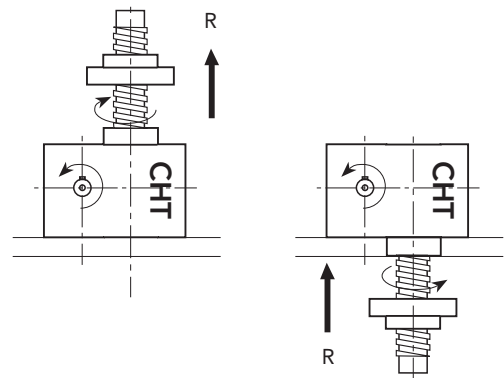
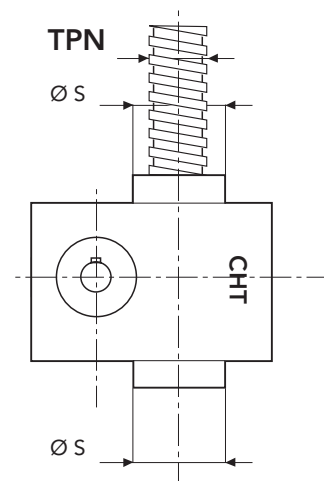
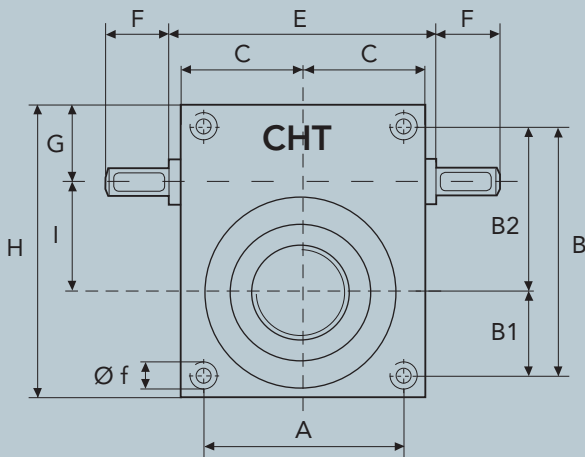
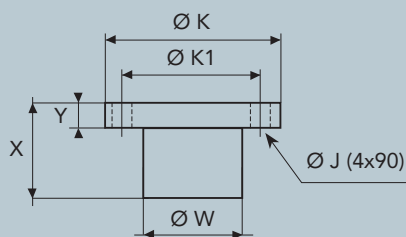


L = CORSA



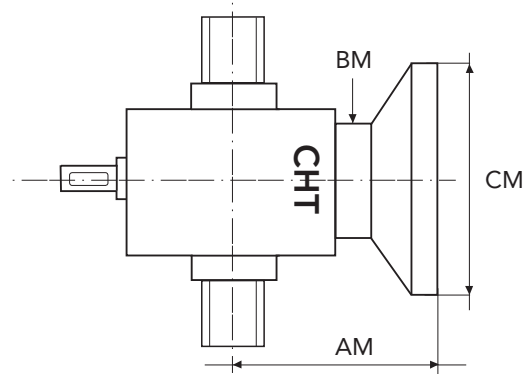
SERIES CHS 5 TS - 10000 daN · TPN 55x9

BRONZE NUT



	X	Y	Ø W	Ø K	Ø K1	Ø J
CHS5	100	20	76	130	100	13

MOTORS ADAPTORS FLANGES



MOTOR	FLANGE TYPE	CM	AM	BM
GR. 80	B5	200	145	108
	B14	120		
GR. 90	B5	200	145	108
	B14	140		
GR. 100/112	B5	250	145	108
	B14	160		

CONFIGURATION

