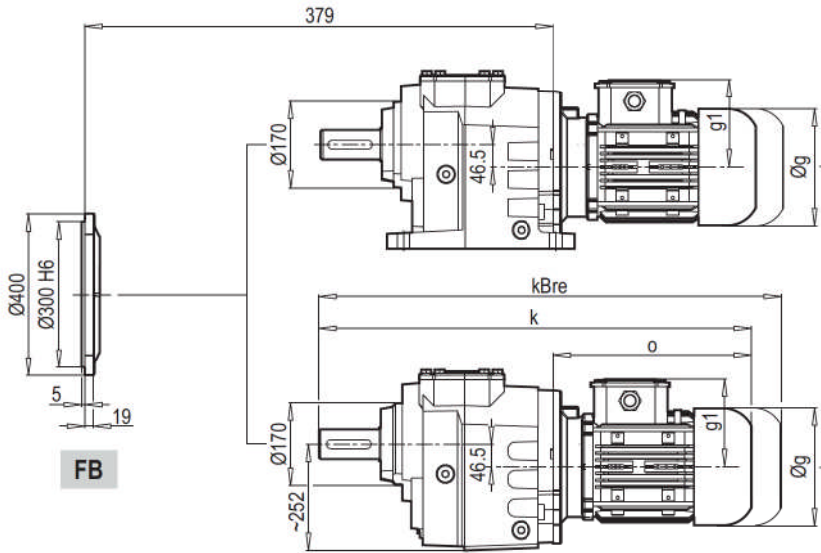
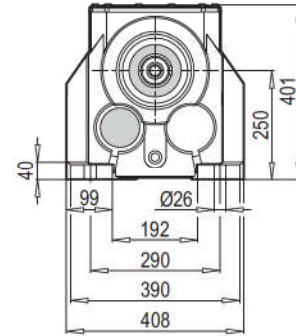
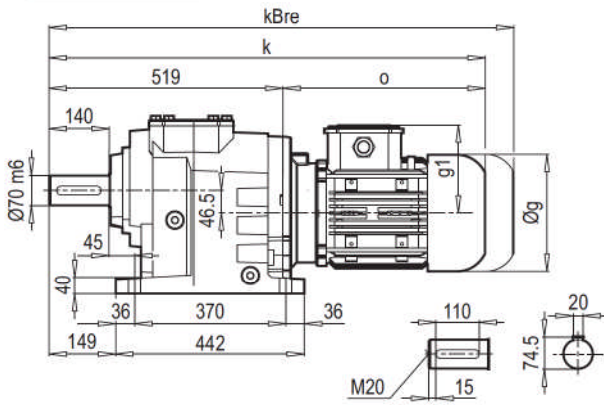
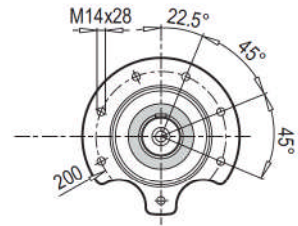


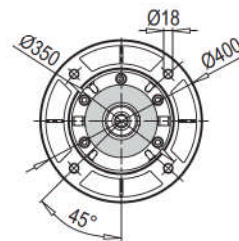
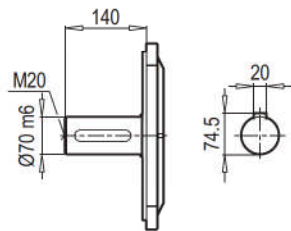
**A 702 - 703**



**AF 702 - 703**

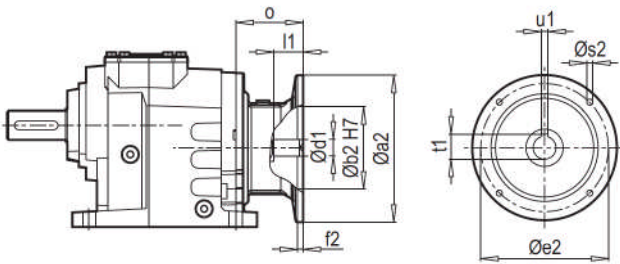


**F 702 - 703**

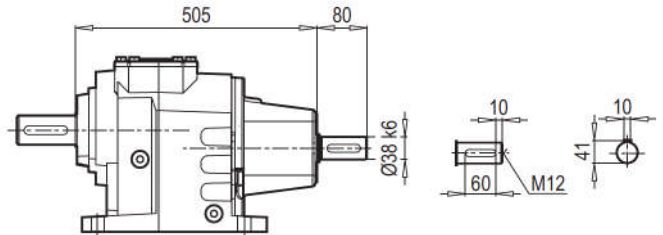


	100 L	112 M	132 S	132 M	160 M/L	180 M/L	200 L
<b>g</b>	217	232	279	279	323	370	415
<b>g1</b>	160	168	182	182	200	248	260
<b>k</b>	845	899	905	940	1027	1092	1129
<b>kBre</b>	926	979	1013	1081	1179	1254	1276
<b>o</b>	326	380	386	421	508	573	610

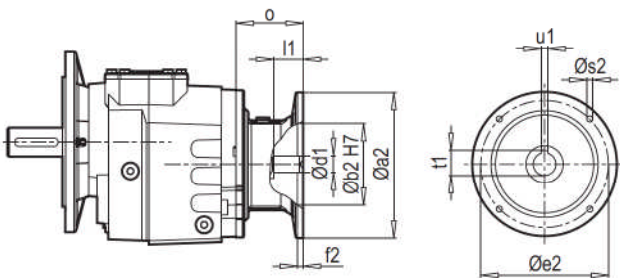
A 702-703 PAM B5/B14



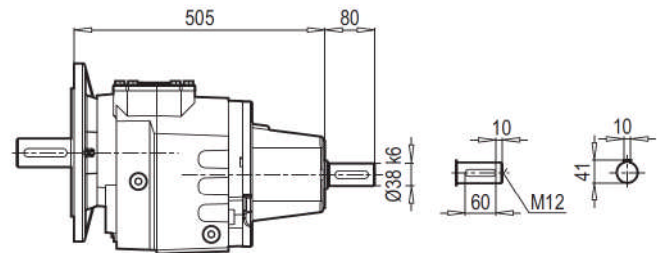
A 702-703 W



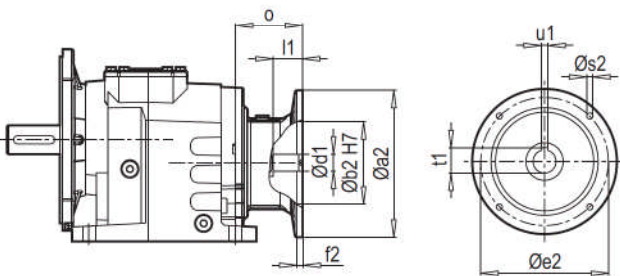
F 702-703 PAM B5/B14



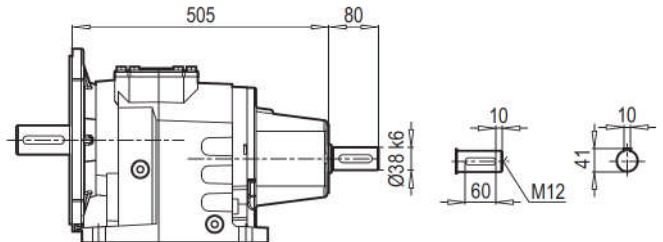
F 702-703 W



AF 702-703 PAM B5/B14



AF 702-703 W



W ~ Kg	
A/F 702-703	119

Typ / Type Tip / Tipo Type / Tipo	PAM B5	Øa2	Øb2	Øe2	f2	Øs2	Ød1	l1	t1	u1	o
A/F 702 A/F 703	100	250	180	215	5.5	M12	28	62	31.3	8	76
	112	250	180	215	5.5	M12	28	62	31.3	8	76
	132	300	230	265	5.5	M12	38	82	41.3	10	101
	160	350	250	300	7	M16	42	112	45.3	12	148
	180	350	250	300	7	M16	48	112	51.8	14	148
	200	400	300	350	7	M16	55	112	59.3	16	185

~ Kg	
PAM B5	A/F 702-703
100	114
112	114
132	117
160	123
180	123
200	139

Typ / Type Tip / Tipo Type / Tipo	PAM B14	Øa2	Øb2	Øe2	f2	Øs2	Ød1	l1	t1	u1	o
A/F 702 A/F 703	100	160	110	130	3.5	9	28	62	31.3	8	76
	112	160	110	130	3.5	9	28	62	31.3	8	76
	132	200	130	165	3.5	11	38	82	41.3	10	101

~ Kg	
PAM B14	A/F 702-703
100	109
112	109
132	115

Type Typ / Tipo / Type / Tipo	iges	4-pol 50Hz 1400rpm n2 [min-1]	Mamax f <sub>B</sub> =1 4 - pol. [Nm]	P <sub>1max</sub>		W f <sub>B</sub> ≥ 1	PAM - IEC										
				4 - pol. 1400rpm [kW]	FR1 [kN]		FR2 [kN]										
<b>A703 F703</b>	260.15	5.4	5000	2.82	3.9	30.0	100	112	132								
	231.34	6.1	5000	3.17	3.9	30.0	100	112	132	160	180						
	207.78	6.7	5000	3.53	3.9	30.0	100	112	132	160	180						
	189.54	7.4	5000	3.87	3.9	30.0	100	112	132	160	180						
	173.11	8.1	5000	4.23	3.9	30.0	100	112	132	160	180						
	155.48	9.0	5000	4.71	3.8	30.0	100	112	132	160	180						
	144.94	9.7	5000	5.06	3.8	30.0	100	112	132	160	180	200					
	128.35	10.9	5000	5.71	3.8	30.0	100	112	132	160	180						
	118.75	11.8	5000	6.17	3.8	30.0	100	112	132	160	180	200					
	108.46	12.9	5000	6.76	3.8	30.0	100	112	132	160	180	200					
	100.38	13.9	5000	7.30	3.7	30.0	100	112	132	160	180	200					
	89.95	15.6	5000	8.15	3.7	30.0	100	112	132	160	180	200					
	83.35	16.8	5000	8.79	3.7	30.0	100	112	132	160	180	200					
	73.70	19.0	5000	9.95	3.6	30.0	100	112	132	160	180	200					
	67.31	20.8	5000	10.89	3.6	30.0	100	112	132	160	180	200					
	55.75	25.1	5000	13.15	3.5	30.0			132	160	180	200					
	45.67	30.7	5000	16.05	3.4	30.0			132	160	180	200					
<b>A702 F702</b>	44.67	31.3	5000	16.41	3.4	30.0	132	160	180								
	36.60	38.3	5000	20.03	3.2	30.0	132	160	180								
	33.43	41.9	5000	21.93	3.2	29.5	132	160	180								
	30.27	46.2	5000	24.21	3.1	28.0	132	160	180								
	27.87	50.2	5000	26.30	3.0	26.8	132	160	180	200							
	24.80	56.4	5000	29.55	2.9	25.2	132	160	180								
	22.84	61.3	5000	32.10	2.8	24.1	132	160	180	200							
	20.86	67.1	5000	35.14	2.6	22.9	132	160	180	200							
	19.60	71.4	5000	37.40	2.6	22.1	132	160	180	200							
	17.18	81.5	4800	40.95	2.4	21.1	132	160	180	200							
	14.08	99.5	4600	47.90	2.1	19.4	132	160	180	200							
	12.86	108.9	4400	50.17	2.0	19.0	132	160	180	200							
	10.53	132.9	4000	55.68	1.8	18.2		160	180	200							
	8.63	162.3	3800	64.57	1.5	16.9		160	180	200							
	7.88	177.7	3700	68.83	1.3	16.3		160	180	200							
	7.20	194.6	3600	73.34	1.1	15.8		160	180	200							
	5.90	237.5	3200	79.57	0.9	15.3		160	180	200							
5.38	260.0	3000	81.68	0.8	15.2		160	180	200								

No PAM - IEC assembling on empty fields

63 PAM - IEC assembling available on numbered fields