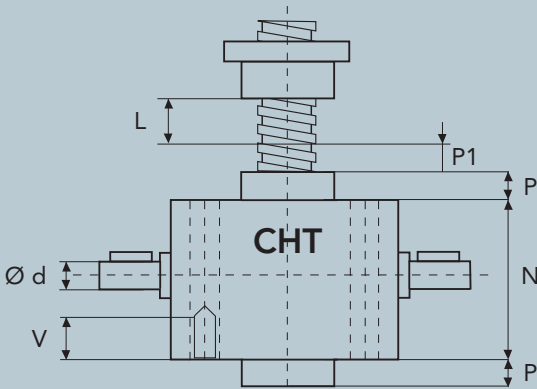


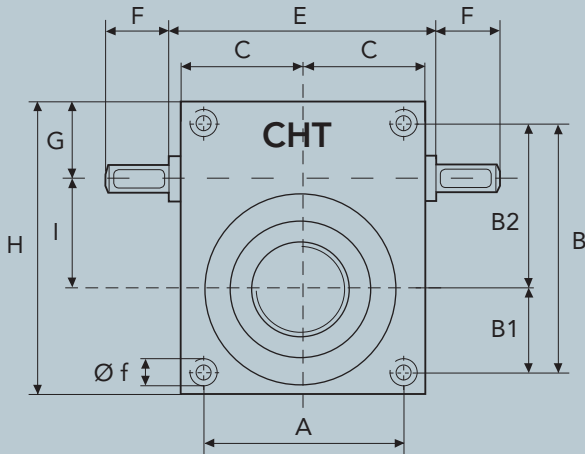


SERIES CHS 1 RS

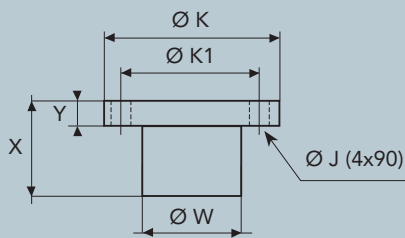
ROTATING SCREW



L = CORSA

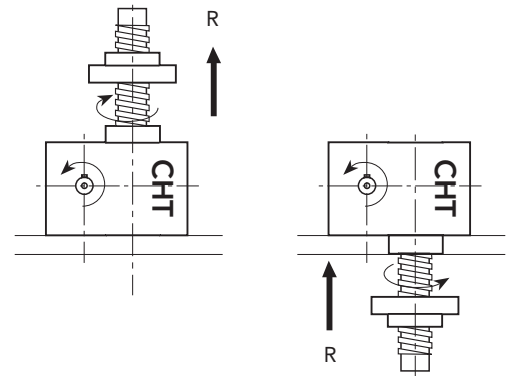
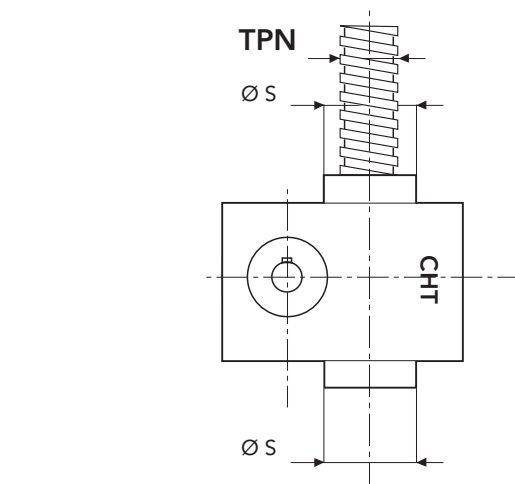


BRONZE NUT

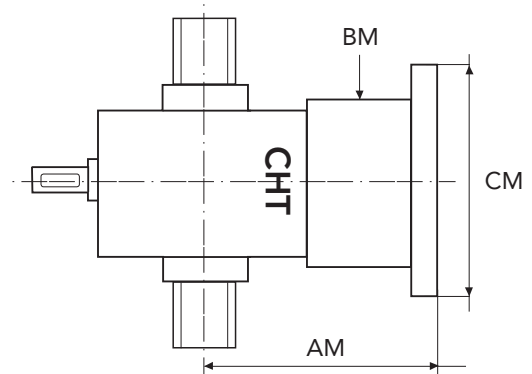


	X	Y	Ø W	Ø K	Ø K1	Ø J
CHS1	45	12	26	54	40	7

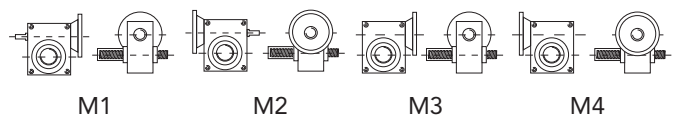
CONFIGURATION



PAM DIMENSIONS FOR BELL AND COUPLING



MOTOR	FLANGE TYPE	CM	AM	BM
GR. 56	B5	120	94	49
	B14	80		
GR. 63	B5	140	94	49
	B14	90		



SERIES CHS 1 RS - 500 daN · TPN 18x4