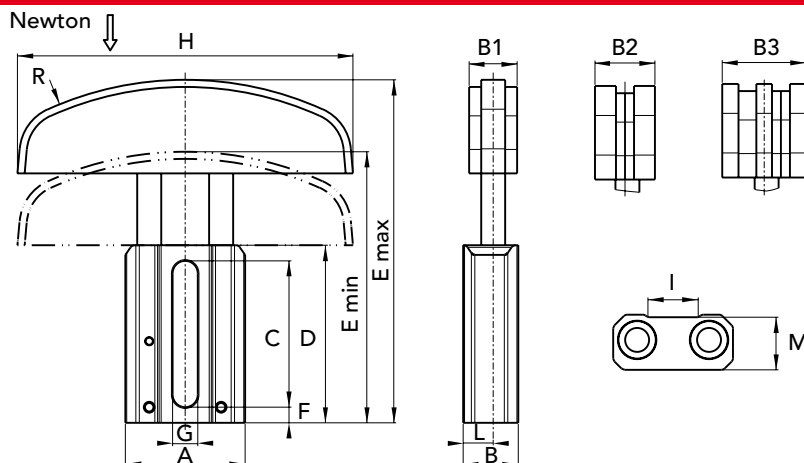




- Tensioner T with sliding block chain tensioner polyethylene UHMW high molecular mass (1.000.000) material Available in different colors
- Arch profile for long chain sections
- Dry self-lubricating bushings with standard PTFE
- On request available with stainless steel pins, springs, plugs and washers



LINEAR CHAIN TENSIONER CHT - ASGA

3

TYPE	P. NUMBER SIMPLE	P. NUMBER DOUBLE	P. NUMBER TRIPLI	Newton	Step Chain	A	B	B1	B2	B3	C	D	E min	E max	F	G	H	I	L	M	R	WEIGHT Kg.
ASGA1 - 3/8"	94200901N	94200902N	94200903N	240	3/8x7/32"	50	23	20	20	26	61	74	115	143	6,5	10,5	140	20	12,5	22	120	0,26
ASGA1 - 1/2"	94201201N	94201202N	94201203N	240	1/2"x5/16"	50	23	20	20	34,5	61	74	115	143	6,5	10,5	140	20	12,5	22	120	0,26
ASGA1 - 5/8"	94201501N	94201502N	94201503N	240	5/8"x3/8"	50	23	20	25	41,5	61	74	115	143	6,5	10,5	140	20	12,5	22	120	0,26
ASGA2 - 5/8"	94201511N	94201512N	94201513N	420	5/8"x3/8"	67	28	20	25	41,5	73	87	128	164	7	12,5	140	25	15	25,5	140	0,48
ASGA2 - 3/4"	94201901N	94201902N	94201903N	420	3/4"xx7/16"	67	28	20	30	49	73	87	128	164	7	12,5	140	25	15	25,5	140	0,50
ASGA3 - 1"	94202511N	94202512N	94202513N	650	1"x17 mm	80	32,5	25	45	78	88	104	145	187	8	14,5	140	29,5	17,5	28,5	160	0,74
ASGA3 - 1"1/4	94203101N	94203102N	94203103N	650	1"1/4x3/4"	80	32,5	25	54	90	88	104	145	187	8	14,5	140	29,5	17,5	28,5	160	0,74
ASGA3 - 1"1/2	94203801N	94203802N	94203803N	650	1"1/2x1"	80	32,5	25	71	119	88	104	145	187	8	14,5	140	29,5	17,5	28,5	160	0,74
ASGA3 - 1"3/4	94204401N	-	-	650	1"3/4x1"1/4	80	32,5	30	-	-	88	104	145	187	8	14,5	140	29,5	17,5	28,5	160	0,79
ASGA3 - 2"	94205001N	-	-	650	2"x1"1/4	80	32,5	30	-	-	88	104	145	187	8	14,5	140	29,5	17,5	28,5	160	0,79

