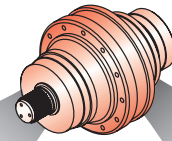


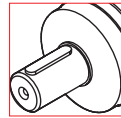


CHPL

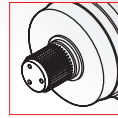


OUT

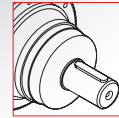
IN



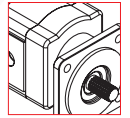
Ø80



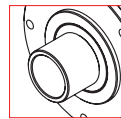
70x64
DIN 5482



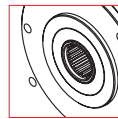
Ø42
Ø65



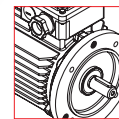
Hydraulic
Motor



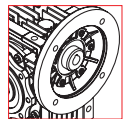
Ø90



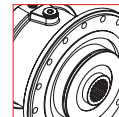
70x64
DIN 5482



Electric
Motor



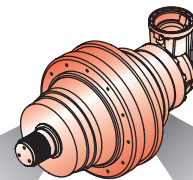
Worm
gearboxes



Brake

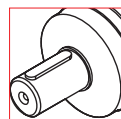
7001	i 3.67 ÷ 7.00	1 reduction stage
7002	13.9 ÷ 50.8	2 reduction stages
7003	53.8 ÷ 342.6	3 reduction stages
7004	301.1 ÷ 2968.9	4 reduction stages

CHPLB

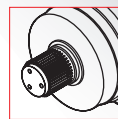


OUT

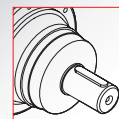
IN



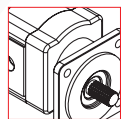
Ø80



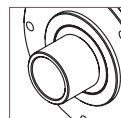
70x64
DIN 5482



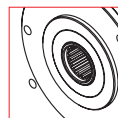
Ø42
Ø65



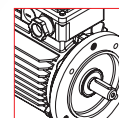
Hydraulic
Motor



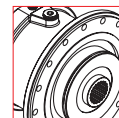
Ø90



70x64
DIN 5482



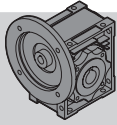
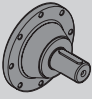
Electric
Motor



Brake

7002	i 12.7 ÷ 38.1	2 reduction stages
7003	53.6 ÷ 148.9	3 reduction stages
7004	157.7 ÷ 1069.0	4 reduction stages

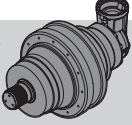
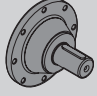
DATI TECNICI · TECHNICAL DATA

CHPL	i	T _{2n} (n ₁ = 1400 rpm) 10.000h FS=1 [Nm]	P _{1n} (n ₁ = 1400 rpm) 10.000h FS=1 [kW]	T ₂ Max [Nm]	P _t 1400 rpm [kW]	IEC		 CHM	 CM/CP
						(B5)			
7001	3.67	2935	121.5	14320	30	160 200	180	CHM 110	CM65 CP65
	4.43	2698	92.5	13080					
	5	2468	75	11480					
	5.8	2184	57.2	9720					
	7	1826	39.6	7860					
7002	13.9	3707	42	14320	18	63 80 100 132 180	71 90 112 160	CHM 50 CHM 63 CHM 75 CHM 90 CHM 110	CM42 CM65 CP65
	18.3	3488	30	13080					
	20.6	3141	24	11480					
	22.9	3710	25.5	13080					
	26.6	3801	22.5	13080					
	30	3430	18	11480					
	36.3	3458	15	11480					
	42.1	3009	11.25	9720					
	50.8	2662	8.25	7860					
7003	53.8	4717	14.3	14320	14	63 80 100 132	71 90 112 160	CHM 50 CHM 63 CHM 75 CHM 90	CM42
	64.8	4807	12.1	14320					
	71.7	4593	10.45	13080					
	78.3	4488	9.35	13080					
	88.4	4065	7.5	11480					
	93.7	4825	8.4	13080					
	102.1	5259	8.4	14320					
	112.9	4775	6.9	13080					
	127.9	5410	6.9	14320					
	139.2	4505	5.28	11480					
	148.8	5018	5.5	13080					
	155.4	4402	4.62	11480					
	174.4	4652	4.35	11480					
	194.9	3942	3.3	9720					
	216.7	5382	4.05	13080					
	244.7	4785	3.19	11480					
283.8	4211	2.42	9720						
342.6	3465	1.65	7860						
7004	301.1	6413	3.6	14320	8	63 80 100 132	71 90 112	CHM 50 CHM 63 CHM 75 CHM 90	CM42
	332.4	6488	3.3	14320					
	347.9	6483	3.15	14320					
	400.7	6399	2.7	14320					
	434.4	6552	2.55	14320					
	474.3	6735	2.4	14320					
	523.6	6969	2.25	14320					
	571.7	7101	2.1	14320					
	632.4	6454	1.73	13080					
	661.9	6462	1.65	13080					
	747.3	5967	1.35	11480					
	768.7	6820	1.5	13080					
	832.3	7017	1.43	13080					
	870	6176	1.2	11480					
	976.5	6065	1.05	11480					
	1048.7	6517	1.05	11480					
	1177	6267	0.9	11480					
	1366.9	6671	0.85	11480					
	1651.6	6595	0.68	11480					
2968.9	5270	0.3	7860						

n_{1max} = 2800 rpm



DATI TECNICI · TECHNICAL DATA

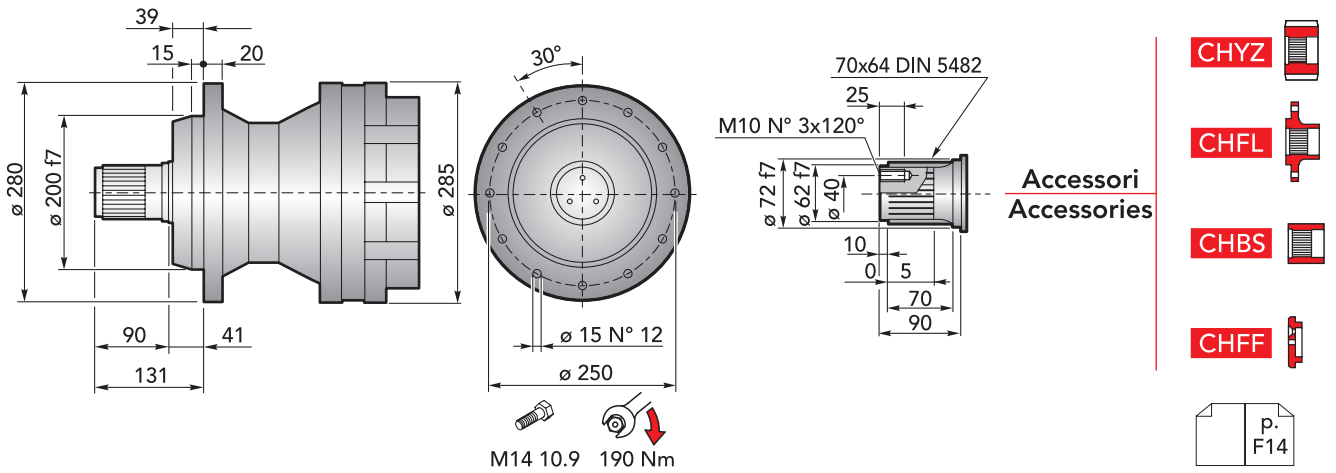
 CHPLB	i	T _{2n} (n ₁ = 1400 rpm) 10.000h FS=1 [Nm]	P _{1n} (n ₁ = 1400 rpm) 10.000h FS=1 [kW]	T ₂ Max [Nm]	P _t 1400 rpm [kW]	IEC (B5)	 CM/CP
7002	12.7	3630	45	14320	18	63 71 80 90 100 112 132 160 180	CM42 CM65 CP65
	15.3	3500	36	13080			
	17.3	3144	28.6	11480			
	20	2669	21	9720			
	24.1	3661	23.95	13080			
	27.2	3370	19.5	11480			
	31.6	2860	14.25	9720			
	38.1	2541	10.5	7860			
7003	53.6	4337	13.2	13080	14	63 71 80 90 100 112 132 160	CM42 CM65 CP65
	55.6	4313	12.65	13080			
	60.5	3856	10.4	11480			
	67.1	4442	10.8	13080			
	77.9	4584	9.6	13080			
	88	4045	7.5	11480			
	94.2	4677	8.1	13080			
	106.3	4302	6.6	11480			
	123.3	3659	4.84	9720			
	148.9	3012	3.3	7860			
7004	157.7	5541	5.94	14320	8	63 71 80 90 100 112 132	CM42 CM65 CP65
	174.1	5665	5.5	14320			
	190.1	5938	5.28	14320			
	210.3	5412	4.35	13080			
	229.6	5500	4.05	13080			
	248.4	5951	4.05	14320			
	274.8	5608	3.45	13080			
	300.1	6250	4.15	13080			
	331.2	5819	3.86	13080			
	361.7	5885	3.58	13080			
	393	4347	2.43	9720			
	453	6191	3	13080			
	511.5	5658	2.43	11480			
	557	4712	1.86	9720			
	594	5798	2.15	11480			
	656.7	5555	1.43	11480			
	717.7	5604	1.32	11480			
	832.6	4876	0.99	9720			
	921.5	5996	1.1	11480			
	1069	5565	0.88	9720			

n_{1max} = 2800 rpm

per ulteriori rapporti consultare l'ufficio tecnico

for information consult the technical office

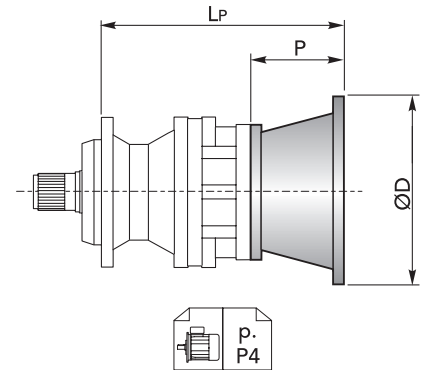
DIMENSIONI · DIMENSIONS



CHPL 7000 CPS - Flange motori IEC | IEC Motor flanges

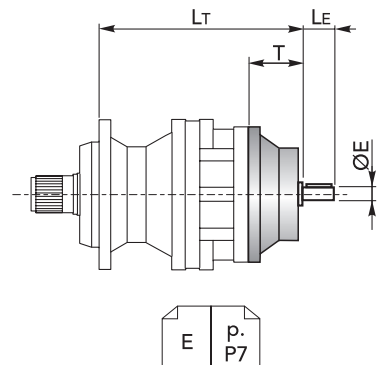
CHPL	IEC 63			IEC 71			IEC 80			IEC 90			IEC 100		
	LP	P	ØD	LP	P	ØD	LP	P	ØD	LP	P	ØD	LP	P	ØD
7001	-			-			-			-			-		
7002	345.5			345.5			365.5			365.5			375.5		
7003	393.5	36	140	393.5	36	160	413.5	56	200	413.5	56	200	423.5	66	250
7004	441.5			441.5			461.5			461.5			471.5		

CHPL	IEC 112			IEC 132			IEC 160			IEC 180			IEC 200		
	LP	P	ØD	LP	P	ØD	LP	P	ØD	LP	P	ØD	LP	P	ØD
7001	-			-			368	118	350	368	118	350	398	148	400
7002	375.5			409.5			448.5			448.5	139	350	-		
7003	423.5	66	250	457.5	100	300	496.5			-			-		
7004	471.5			505.5			-			-			-		



CHPL 7000 CPS - Alberi maschi entrata | Male input shafts

CHPL	CM42				CM65				CP65			
	LT	T	LE	ØE	LT	T	LE	ØE	LT	T	LE	ØE
7001	-				371.5				403			
7002	402.5				444.5	121.5	105	65 h6	476	153	105	65 h6
7003	450.5	93	82	42 h6	-			-				
7004	498.5				-			-				



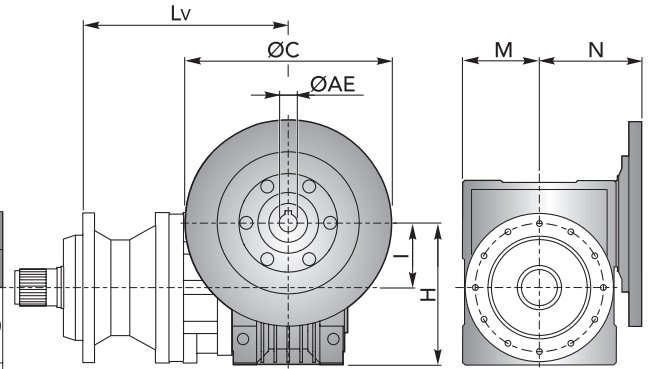


DIMENSIONI · DIMENSIONS

CHPL 7000 CPS - Riduttore a vite senza fine CHM in entrata | *CHM input worm gearboxes*

CHPL	CHM 50					CHM 63				
	Lv	I	H	M	N	Lv	I	H	M	N
7001	-					-				
7002	435					444.5				
7003	483	50	110	60	80	492.5	63	135	72	95
7004	531					540.5				

CHPL	CHM 75					CHM 90					CHM 110				
	Lv	I	H	M	N	Lv	I	H	M	N	Lv	I	H	M	N
7001	-					-					388				
7002	423.5					433.5					461	110	237.5	127.5	160
7003	471.5	75	161	86	112.5	481.5	90	193	103	129.5					
7004	519.5					529.5									



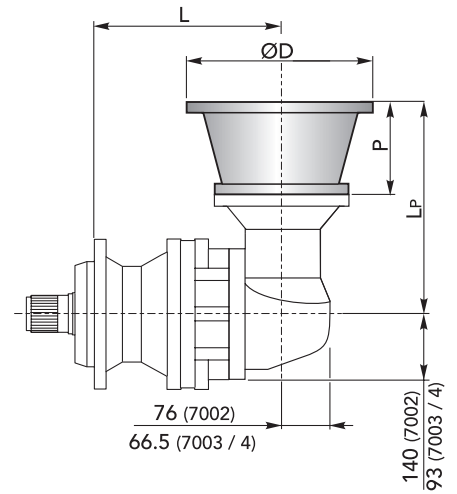
$\begin{matrix} \text{ØC} & \text{p.} \\ \text{ØAE} & \text{P6} \end{matrix}$

CHPL / CHPLB 7000 CPS

CHPLB 7000 CPS - Flange motori IEC | *IEC Motor flanges*

CHPLB	IEC 63				IEC 71				IEC 80				IEC 90			
	L	LP	P	ØD	L	LP	P	ØD	L	LP	P	ØD	L	LP	P	ØD
7002	338	276			338	276			338	296			338	296		
7003	384.5	196	36	140	384.5	196	36	160	384.5	216	56	200	384.5	216	56	200
7004	432.5				432.5				432.5				432.5			

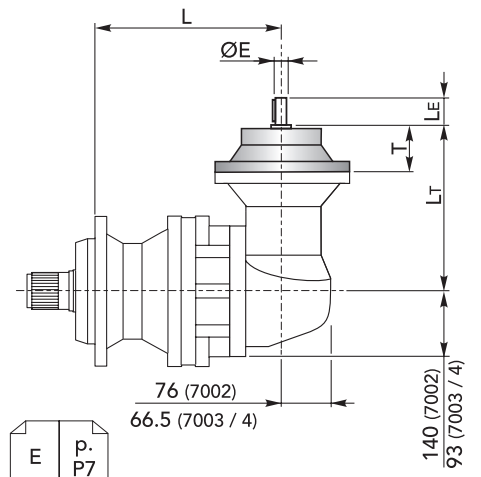
CHPLB	IEC 100				IEC 112				IEC 132				IEC 160				IEC 180			
	L	LP	P	ØD	L	LP	P	ØD	L	LP	P	ØD	L	LP	P	ØD	L	LP	P	ØD
7002	338	306			338	306			338	340			338	379			338	379	139	350
7003	384.5	226	66	250	384.5	226	66	250	384.5	260	100	300	384.5	299	139	350	-			
7004	432.5				432.5				432.5				432.5				-			



$\begin{matrix} \text{p.} \\ \text{P4} \end{matrix}$

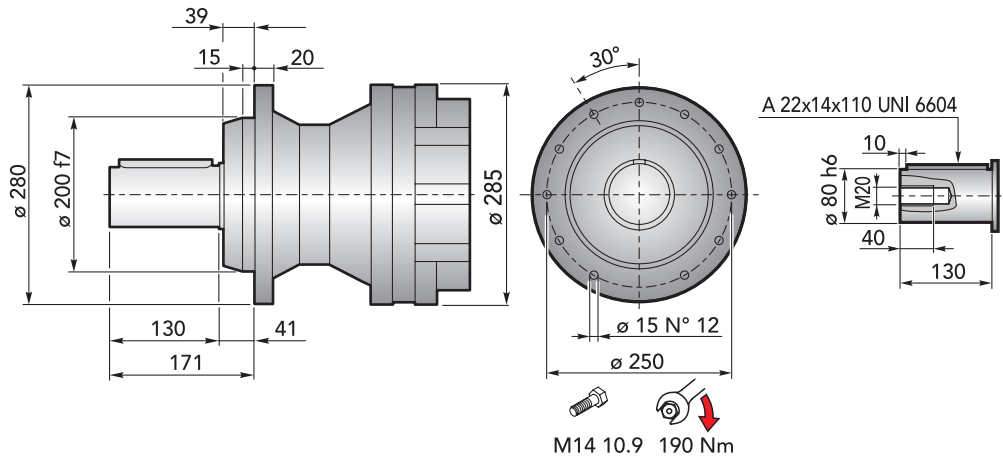
CHPLB 7000 CPS - Alberi maschi entrata | *Male input shafts*

CHPLB	CM42					CM65					CP65				
	L	LT	T	LE	ØE	L	LT	T	LE	ØE	L	LT	T	LE	ØE
7002	338	333				338	377.5				338	409			
7003	384.5	253	93	82	42 h6	384.5	297.5	121.5	105	65 h6	384.5	329	153	105	65 h6
7004	432.5					432.5					432.5				



$\begin{matrix} \text{E} \\ \text{p.} \\ \text{P7} \end{matrix}$

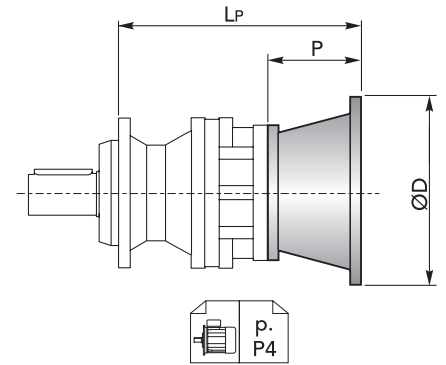
DIMENSIONI · DIMENSIONS



CHPL 7000 CPC - Flange motori IEC | IEC Motor flanges

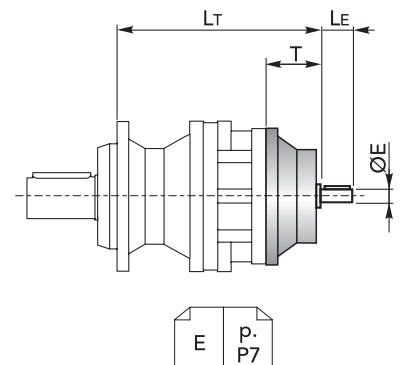
CHPL	IEC 63			IEC 71			IEC 80			IEC 90			IEC 100		
	LP	P	ØD	LP	P	ØD	LP	P	ØD	LP	P	ØD	LP	P	ØD
7001	-			-			-			-			-		
7002	345.5			345.5			365.5			365.5			375.5		
7003	393.5	36	140	393.5	36	160	413.5	56	200	413.5	56	200	423.5	66	250
7004	441.5			441.5			461.5			461.5			471.5		

CHPL	IEC 112			IEC 132			IEC 160			IEC 180			IEC 200		
	LP	P	ØD	LP	P	ØD	LP	P	ØD	LP	P	ØD	LP	P	ØD
7001	-			-			368	118	350	368	118	350	398	148	400
7002	375.5			409.5			448.5			448.5	139	350	-		
7003	423.5	66	250	457.5	100	300	496.5			-			-		
7004	471.5			505.5			-			-			-		



CHPL 7000 CPC - Alberi maschi entrata | Male input shafts

CHPL	CM42				CM65				CP65			
	LT	T	LE	ØE	LT	T	LE	ØE	LT	T	LE	ØE
7001	-				371.5				403			
7002	402.5				444.5	121.5	105	65 h6	476	153	105	65 h6
7003	450.5	93	82	42 h6	-			-				
7004	498.5				-			-				



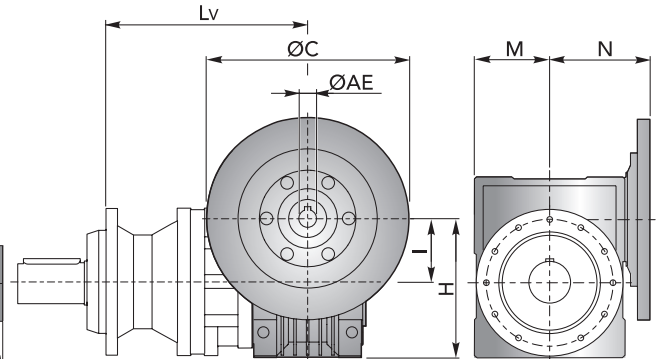


DIMENSIONI · DIMENSIONS

CHPL 7000 CPC - Riduttore a vite senza fine CHM in entrata | *CHM input worm gearboxes*

CHPL	CHM 50					CHM 63				
	Lv	I	H	M	N	Lv	I	H	M	N
7001	-					-				
7002	435					444.5				
7003	483	50	110	60	80	492.5	63	135	72	95
7004	531					540.5				

CHPL	CHM 75					CHM 90					CHM 110				
	Lv	I	H	M	N	Lv	I	H	M	N	Lv	I	H	M	N
7001	-					-					388				
7002	423.5					433.5					461	110	237.5	127.5	160
7003	471.5	75	161	86	112.5	481.5	90	193	103	129.5					
7004	519.5					529.5									

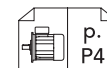
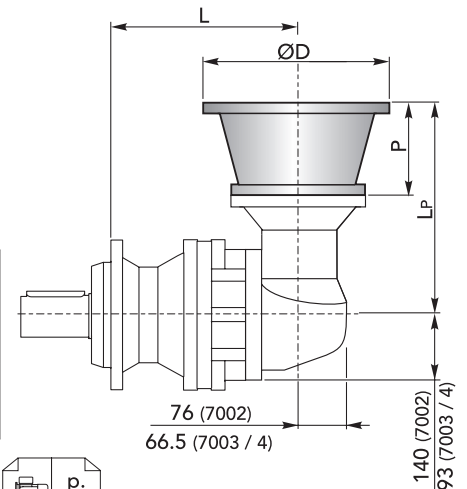


CHPL / CHPLB 7000 CPC

CHPLB 7000 CPC - Flange motori IEC | *IEC Motor flanges*

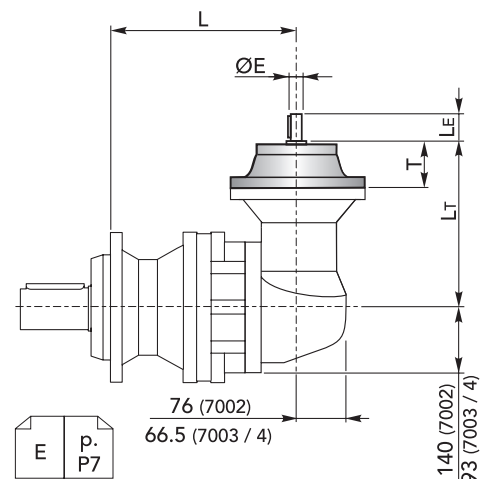
CHPLB	IEC 63				IEC 71				IEC 80				IEC 90			
	L	LP	P	ØD	L	LP	P	ØD	L	LP	P	ØD	L	LP	P	ØD
7002	338	276			338	276			338	296			338	296		
7003	384.5	196	36	140	384.5	196	36	160	384.5	216	56	200	384.5	216	56	200
7004	432.5				432.5				432.5				432.5			

CHPLB	IEC 100				IEC 112				IEC 132				IEC 160				IEC 180			
	L	LP	P	ØD	L	LP	P	ØD	L	LP	P	ØD	L	LP	P	ØD	L	LP	P	ØD
7002	338	306			338	306			338	340			338	379			338	379	139	350
7003	384.5	226	66	250	384.5	226	66	250	384.5	260	100	300	384.5	299	139	350				
7004	432.5				432.5				432.5				432.5							

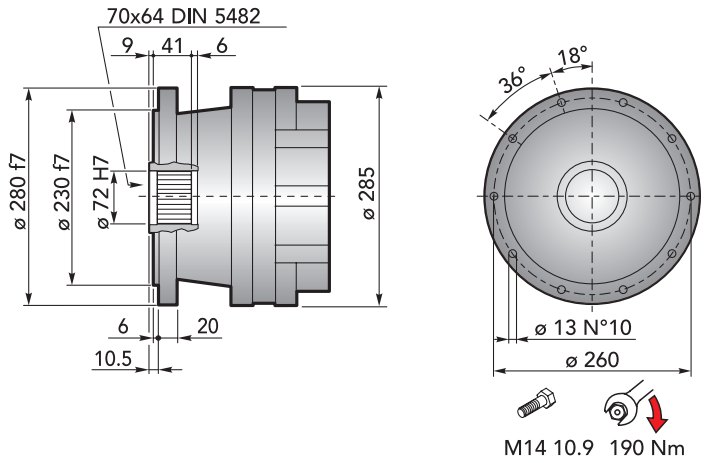


CHPLB 7000 CPC - Alberi maschi entrata | *Male input shafts*

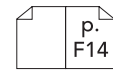
CHPLB	CM42					CM65					CP65				
	L	Lt	T	Le	ØE	L	Lt	T	Le	ØE	L	Lt	T	Le	ØE
7002	338	333				338	377.5				338	409			
7003	384.5	253	93	82	42 h6	384.5	297.5	121.5	105	65 h6	384.5	329	153	105	65 h6
7004	432.5					432.5					432.5				



DIMENSIONI · DIMENSIONS



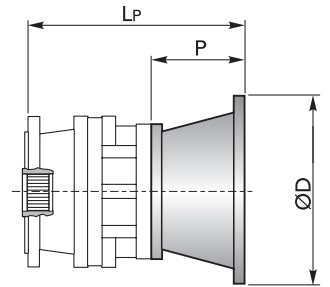
Accessori
Accessories



CHPL 7000 CF - Flange motori IEC | IEC Motor flanges

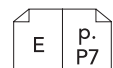
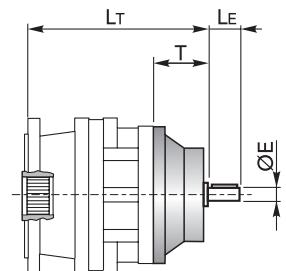
CHPL	IEC 63			IEC 71			IEC 80			IEC 90			IEC 100		
	LP	P	ØD	LP	P	ØD	LP	P	ØD	LP	P	ØD	LP	P	ØD
7001	-			-			-			-			-		
7002	292			292			312			312			322		
7003	340	36	140	340	36	160	360	56	200	360	56	200	370	66	250
7004	388			388			408			408			418		

CHPL	IEC 112			IEC 132			IEC 160			IEC 180			IEC 200		
	LP	P	ØD	LP	P	ØD	LP	P	ØD	LP	P	ØD	LP	P	ØD
7001	-			-			314.5	118	350	314.5	118	350	344.5	148	400
7002	322			356			395			395	139	350	-		
7003	370	66	250	404	100	300	443			-			-		
7004	418			452			-			-			-		



CHPL 7000 CF - Alberi maschi entrata | Male input shafts

CHPL	CM42				CM65				CP65				
	LT	T	LE	ØE	LT	T	LE	ØE	LT	T	LE	ØE	
7001	-				318				349.5				
7002	349				391	121.5	105	65 h6	422.5	153	105	65 h6	
7003	397	93	82	42 h6	-				-				
7004	445				-				-				



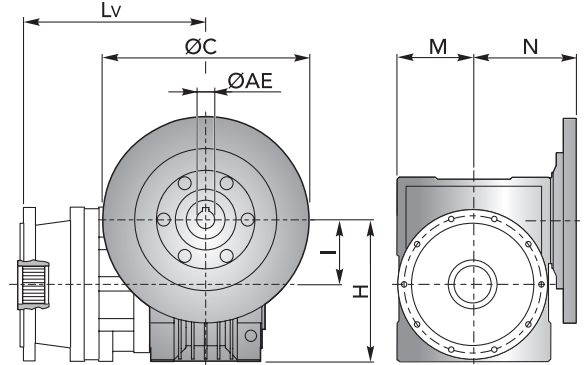


DIMENSIONI · DIMENSIONS

CHPL 7000 CF - Riduttore a vite senza fine CHM in entrata | CHM input worm gearboxes

CHPL	CHM 50					CHM 63				
	Lv	I	H	M	N	Lv	I	H	M	N
7001	-					-				
7002	338					391				
7003	429.5	50	110	60	80	439	63	135	72	95
7004	477.5					487				

CHPL	CHM 75					CHM 90					CHM 110					
	Lv	I	H	M	N	Lv	I	H	M	N	Lv	I	H	M	N	
7001	-					-					334.5					
7002	370					380					407.5	110	237.5	127.5	160	
7003	418	75	161	86	112.5	428	90	193	103	129.5						
7004	466					476										



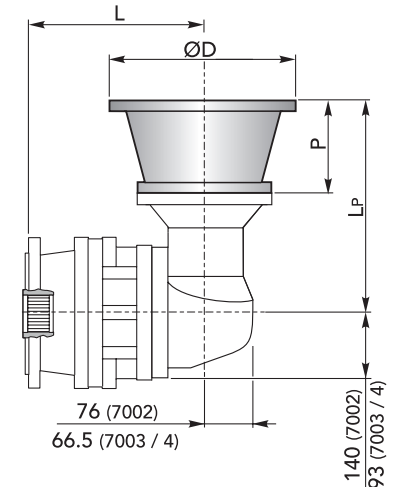
ØC p.
ØAE P6

CHPL / CHPLB 7000 CF

CHPLB 7000 CF - Flange motori IEC | IEC Motor flanges

CHPLB	IEC 63				IEC 71				IEC 80				IEC 90			
	L	LP	P	ØD	L	LP	P	ØD	L	LP	P	ØD	L	LP	P	ØD
7002	284.5	276			284.5	276			284.5	296			284.5	296		
7003	331	196	36	140	331	196	36	160	331	216	56	200	331	216	56	200
7004	379				379				379				379			

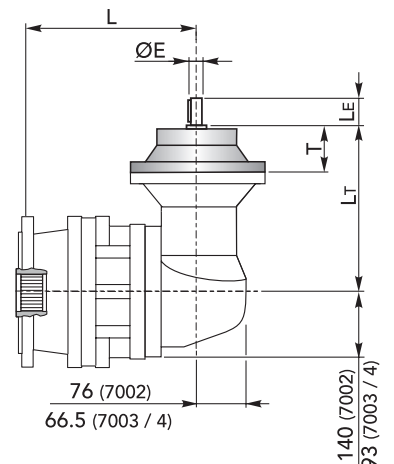
CHPLB	IEC 100				IEC 112				IEC 132				IEC 160				IEC 180			
	L	LP	P	ØD	L	LP	P	ØD	L	LP	P	ØD	L	LP	P	ØD	L	LP	P	ØD
7002	284.5	306			284.5	306			284.5	340			284.5	379	139	350	284.5	379	139	350
7003	331	226	66	250	331	226	66	250	331	260	100	300	331	299						
7004	379				379				379				379							



P.
P4

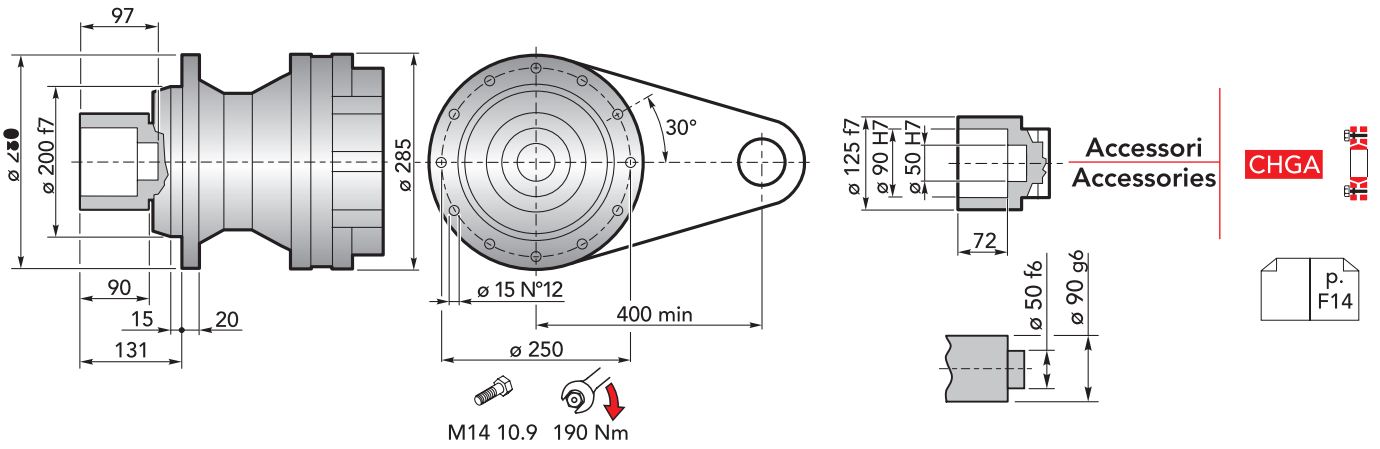
CHPLB 7000 CF - Alberi maschi entrata | Male input shafts

CHPLB	CM42					CM65					CP65				
	L	Lt	T	Le	ØE	L	Lt	T	Le	ØE	L	Lt	T	Le	ØE
7002	284.5	333				284.5	377.5				284.5	409			
7003	331	253	93	82	42 h6	331	297.5	121.5	105	65 h6	331	329	153	105	65 h6
7004	379					379					379				



E
P.
P7

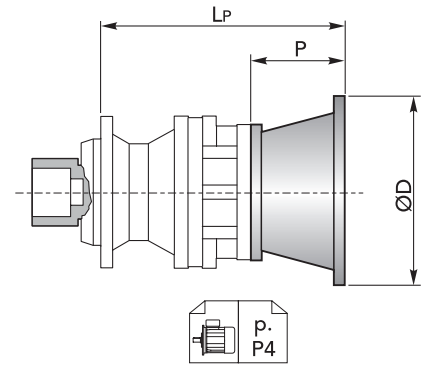
DIMENSIONI · DIMENSIONS



CHPL 7000 CFS - Flange motori IEC | IEC Motor flanges

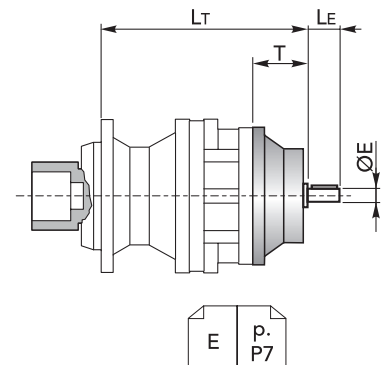
CHPL	IEC 63			IEC 71			IEC 80			IEC 90			IEC 100		
	LP	P	ØD	LP	P	ØD	LP	P	ØD	LP	P	ØD	LP	P	ØD
7001	-			-			-			-			-		
7002	345.5			345.5			365.5			365.5			375.5		
7003	393.5	36	140	393.5	36	160	413.5	56	200	413.5	56	200	423.5	66	250
7004	441.5			441.5			461.5			461.5			471.5		

CHPL	IEC 112			IEC 132			IEC 160			IEC 180			IEC 200		
	LP	P	ØD	LP	P	ØD	LP	P	ØD	LP	P	ØD	LP	P	ØD
7001	-			-			368	118	350	368	118	350	398	148	400
7002	375.5			409.5			448.5			448.5	139	350	-		
7003	423.5	66	250	457.5	100	300	496.5			-			-		
7004	471.5			505.5			-			-			-		



CHPL 7000 CFS - Alberi maschi entrata | Male input shafts

CHPL	CM42				CM65				CP65			
	LT	T	LE	ØE	LT	T	LE	ØE	LT	T	LE	ØE
7001	-				371.5				403			
7002	402.5				444.5	121.5	105	65 h6	476	153	105	65 h6
7003	450.5	93	82	42 h6	-			-				
7004	498.5				-			-				



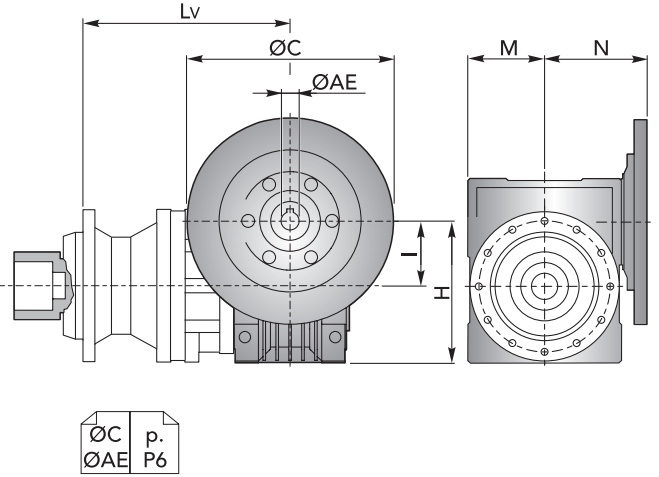


DIMENSIONI · DIMENSIONS

CHPL 7000 CFS - Riduttore a vite senza fine CHM in entrata | *CHM input worm gearboxes*

CHPL	CHM 50					CHM 63				
	Lv	I	H	M	N	Lv	I	H	M	N
7001	-					-				
7002	435					444.5				
7003	483	50	110	60	80	492.5	63	135	72	95
7004	531					540.5				

CHPL	CHM 75					CHM 90					CHM 110					
	Lv	I	H	M	N	Lv	I	H	M	N	Lv	I	H	M	N	
7001	-					-					388					
7002	423.5					433.5					461	110	237.5	127.5	160	
7003	471.5	75	161	86	112.5	481.5	90	193	103	129.5						
7004	519.5					529.5										



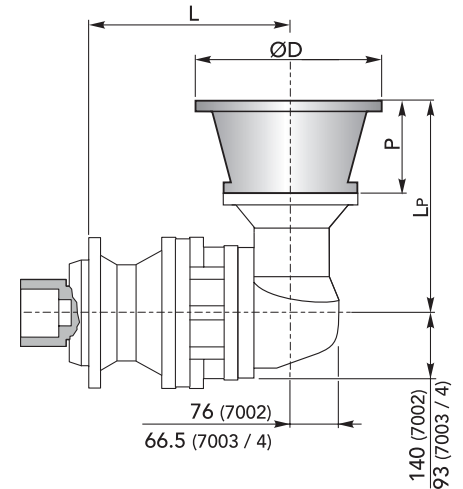
$\frac{\text{ØC}}{\text{ØAE}}$ p. P6

CHPL / CHPLB 7000 CFS

CHPLB 7000 CFS - Flange motori IEC | *IEC Motor flanges*

CHPLB	IEC 63				IEC 71				IEC 80				IEC 90			
	L	Lp	P	ØD	L	Lp	P	ØD	L	Lp	P	ØD	L	Lp	P	ØD
7002	338	276			338	276			338	296			338	296		
7003	384.5	196	36	140	384.5	196	36	160	384.5	216	56	200	384.5	216	56	200
7004	432.5				432.5				432.5				432.5			

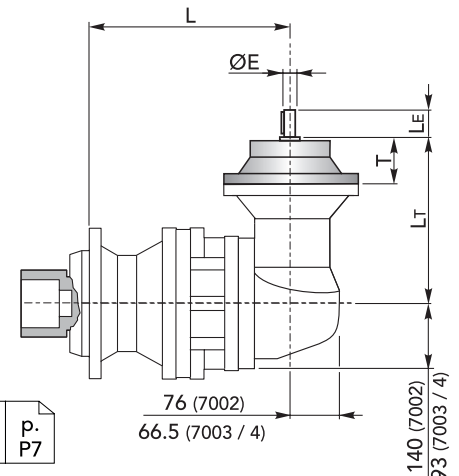
CHPLB	IEC 100				IEC 112				IEC 132				IEC 160				IEC 180			
	L	Lp	P	ØD	L	Lp	P	ØD	L	Lp	P	ØD	L	Lp	P	ØD	L	Lp	P	ØD
7002	338	306			338	306			338	340			338	379			338	379	139	350
7003	384.5	226	66	250	384.5	226	66	250	384.5	260	100	300	384.5	299	139	350	-			
7004	432.5				432.5				432.5				432.5				-			



$\frac{\text{P.}}{\text{P4}}$

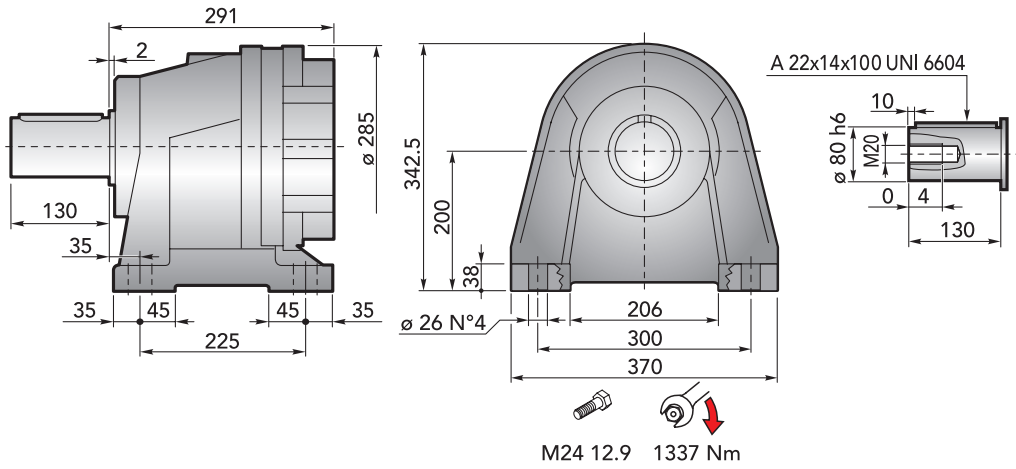
CHPLB 7000 CFS - Alberi maschi entrata | *Male input shafts*

CHPLB	CM42					CM65					CP65				
	L	Lt	T	Le	ØE	L	Lt	T	Le	ØE	L	Lt	T	Le	ØE
7002	338	333				338	377.5				338	409			
7003	384.5	253	93	82	42 h6	384.5	297.5	121.5	105	65 h6	384.5	329	153	105	65 h6
7004	432.5					432.5					432.5				



$\frac{\text{E}}{\text{P. P7}}$

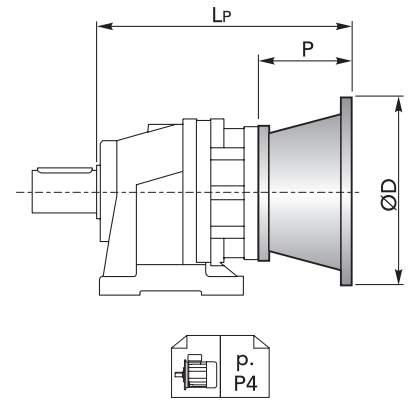
DIMENSIONI · DIMENSIONS



CHPL 7000 CCPC - Flange motori IEC | IEC Motor flanges

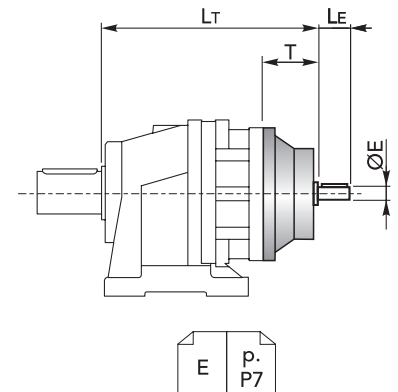
CHPL	IEC 63			IEC 71			IEC 80			IEC 90			IEC 100		
	LP	P	ØD	LP	P	ØD	LP	P	ØD	LP	P	ØD	LP	P	ØD
7001	-	-	-	-	-	-	-	-	-	-	-	-	-	-	-
7002	386.5	-	-	386.5	-	-	406.5	-	-	406.5	56	200	416.5	-	-
7003	434.5	36	140	434.5	36	160	454.5	56	200	454.5	56	200	464.5	66	250
7004	482.5	-	-	482.5	-	-	502.5	-	-	502.5	-	-	512.5	-	-

CHPL	IEC 112			IEC 132			IEC 160			IEC 180			IEC 200		
	LP	P	ØD	LP	P	ØD	LP	P	ØD	LP	P	ØD	LP	P	ØD
7001	-	-	-	-	-	-	409	118	350	409	118	350	439	148	400
7002	416.5	-	-	450.5	-	-	489.5	139	350	489.5	139	350	-	-	-
7003	464.5	66	250	498.5	100	300	537.5	-	-	-	-	-	-	-	-
7004	512.5	-	-	546.5	-	-	-	-	-	-	-	-	-	-	-



CHPL 7000 CCPC - Alberi maschi entrata | Male input shafts

CHPL	CM42				CM65				CP65			
	LT	T	LE	ØE	LT	T	LE	ØE	LT	T	LE	ØE
7001	-	-	-	-	412.5	121.5	105	65 h6	444	153	105	65 h6
7002	443.5	-	-	-	485.5	-	-	-	517	-	-	-
7003	491.5	93	82	42 h6	-	-	-	-	-	-	-	-
7004	539.5	-	-	-	-	-	-	-	-	-	-	-



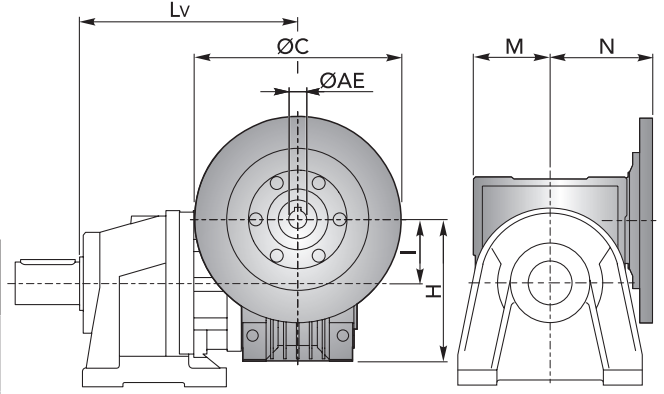


DIMENSIONI · DIMENSIONS

CHPL 7000 CCPC - Riduttore a vite senza fine CHM in entrata | *CHM input worm gearboxes*

CHPL	CHM 50					CHM 63				
	Lv	I	H	M	N	Lv	I	H	M	N
7001	-					-				
7002	476					485.5				
7003	524	50	110	60	80	533.5	63	135	72	95
7004	572					581.5				

CHPL	CHM 75					CHM 90					CHM 110				
	Lv	I	H	M	N	Lv	I	H	M	N	Lv	I	H	M	N
7001	-					-					429	110	237.5	127.5	160
7002	464.5					474.5					502				
7003	512.5	75	161	86	112.5	522.5	90	193	103	129.5					
7004	560.5					570.5									

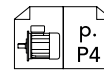
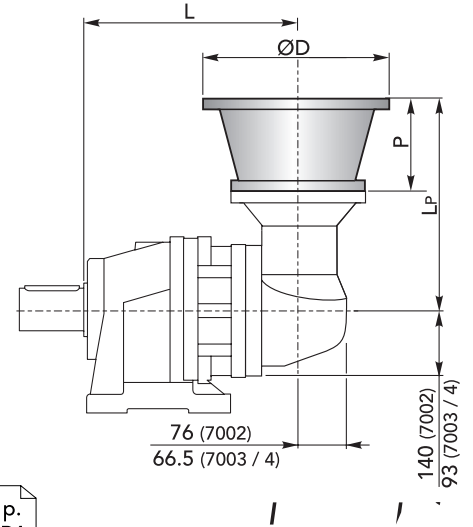


CHPL / CHPLB 7000 CCPC

CHPLB 7000 CCPC - Flange motori IEC | *IEC Motor flanges*

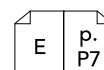
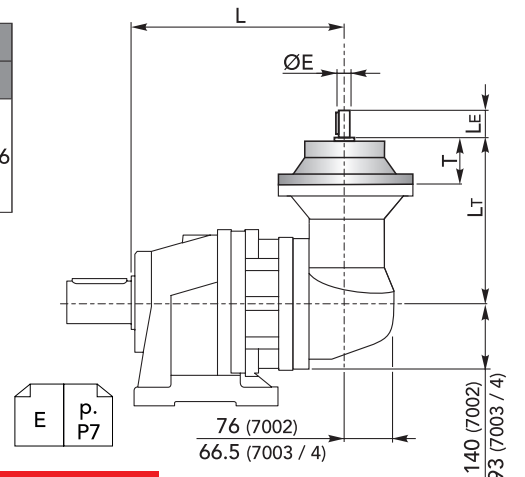
CHPLB	IEC 63				IEC 71				IEC 80				IEC 90			
	L	Lp	P	ØD	L	Lp	P	ØD	L	Lp	P	ØD	L	Lp	P	ØD
7002	379	276			379	276			379	296			379	296		
7003	425.5	196	36	140	425.5	196	36	160	425.5	216	56	200	425.5	216	56	200
7004	473.5				473.5				473.5				473.5			

CHPLB	IEC 100				IEC 112				IEC 132				IEC 160				IEC 180			
	L	Lp	P	ØD	L	Lp	P	ØD	L	Lp	P	ØD	L	Lp	P	ØD	L	Lp	P	ØD
7002	379	306			379	306			379	340			379	379	139	350	379	379	139	350
7003	425.5	226	66	250	425.5	226	66	250	425.5	260	100	300	425.5	299	139	350	-			
7004	473.5				473.5				473.5				473.5				-			



CHPLB 7000 CCPC - Alberi maschi entrata | *Male input shafts*

CHPLB	CM42					CM65					CP65				
	L	Lt	T	Le	ØE	L	Lt	T	Le	ØE	L	Lt	T	Le	ØE
7002	379	333				379	377.5				379	409			
7003	425.5	253	93	82	42 h6	425.5	297.5	121.5	105	65 h6	425.5	329	153	105	65 h6
7004	473.5					473.5					473.5				

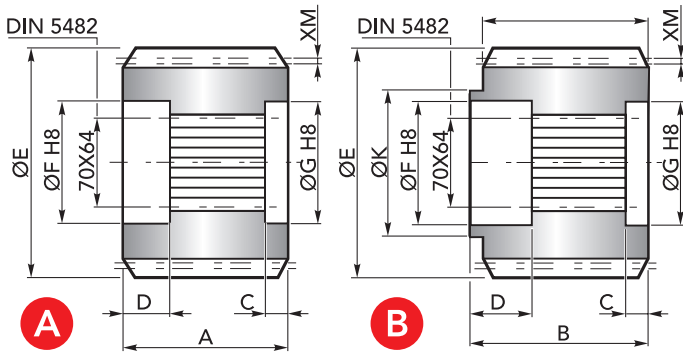


ACCESSORI · ACCESSORIES

CHYZ



Pignoni | Pinions



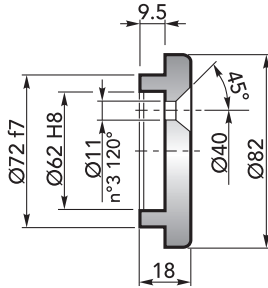
	Uscita / Output	M	Z	XM	A	B	C	D	E	F	G	K	Codice / Code
A	CPS	10	11	8.06	90	-	10	31	142.1	72	72	-	1071.267.042
	CPS	10	12	0	90	-	10	31	140	72	72	-	1071.166.042
	CPS	10	13	0	90	-	10	30	155	72	72	-	1071.201.042
B	CPS	10	11	8.06	90	99	18.5	31	142.1	72	72	84	1071.285.042

CHFF



Fondello di arresto | Stop bottom plate

Codice / Code:
1075.012.000

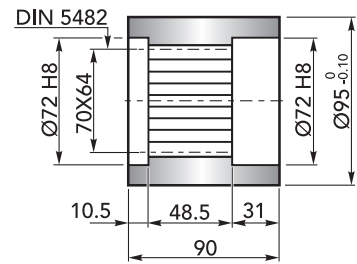


CHBS



Boccola scanalata | Splined bushing

Codice / Code:
5171.102.076

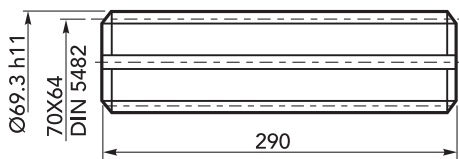


CHKB



Barra scanalata | Splined rod

Codice / Code:
3071.405.042

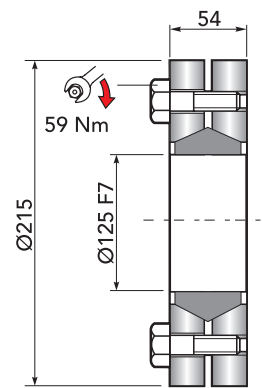


CHGA



Giunto di attrito | Shrink disc

Codice / Code:
5109.125.000



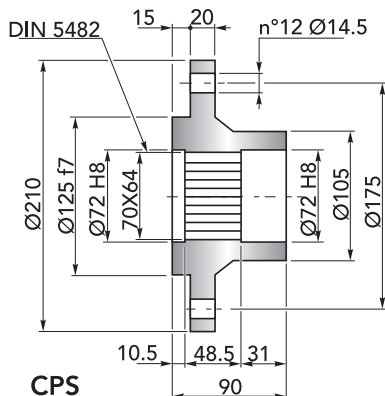
Coppia max: 13000 Nm⁽¹⁾
Max Torque: 13000 Nm⁽¹⁾

CHFL



Flangia | Flange

Codice / Code:
5171.108.098



(1): Coppia max indicata è valida solo con calettatori forniti da Chiaravalli S.p.A.

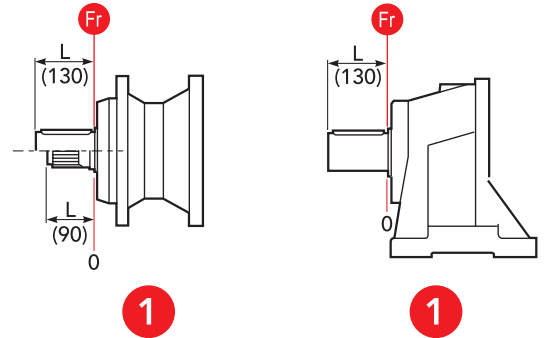
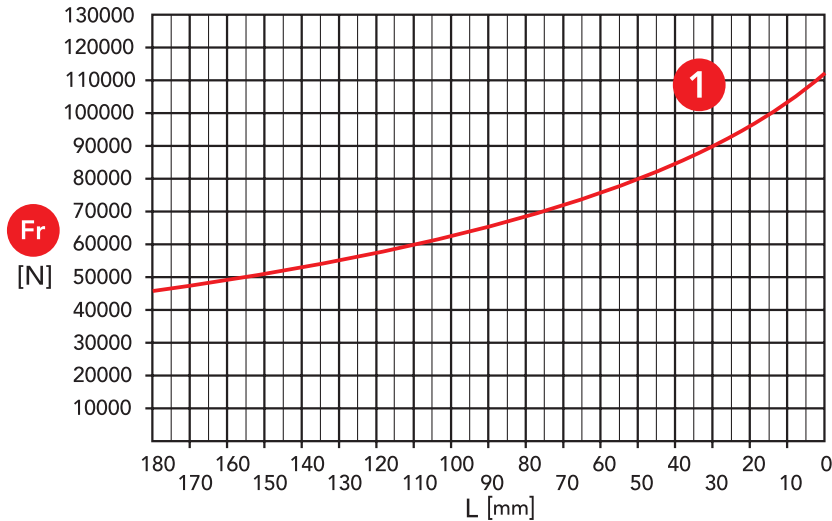
(1): The maximum torque indicated is valid only with shrink discs supplied by Chiaravalli S.p.A.



CARICHI RADIALI (Fr) · RADIAL LOADS (Fr)

Nel diagramma seguente, sono indicati i carichi radiali F_r (N) applicabili sull'albero uscita in funzione della distanza di applicazione L rispetto alla battuta dell'albero.

The hereunder table shows the allowable radial loads F_r (N) on the output shaft with reference to the distance L .



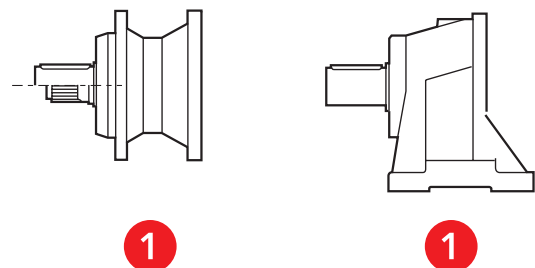
1 Uscita / Output: CPS, CPC, CCPC

CARICHI ASSIALI (Fa) · AXIAL LOADS (Fa)

Nella tabella seguente sono indicati i carichi assiali F_a (N) applicabili sull'albero di uscita in funzione della direzione di applicazione del carico e della versione.

The hereunder table shows the allowable axial loads F_a (N) on the output shaft with reference to the load direction and the output type.

	1	
F_a [N]	40000	←
	60000	→



1 Uscita / Output: CPS, CPC, CCPC