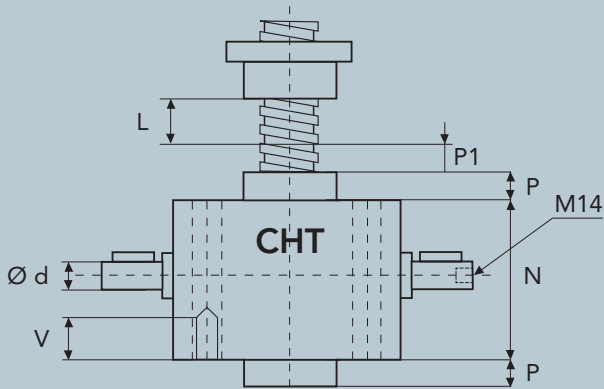




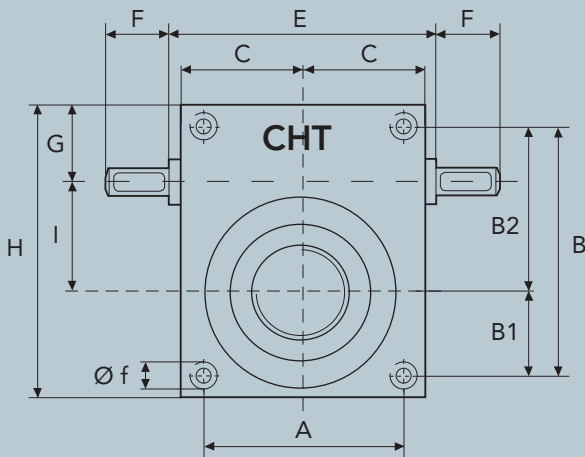
SERIES CHS 14 RS

ROTATING SCREW

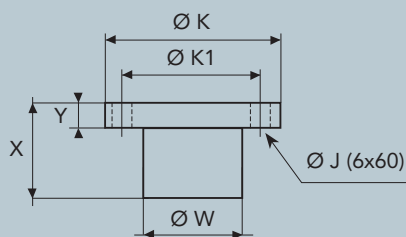
HEAVY LINE



L = CORSA

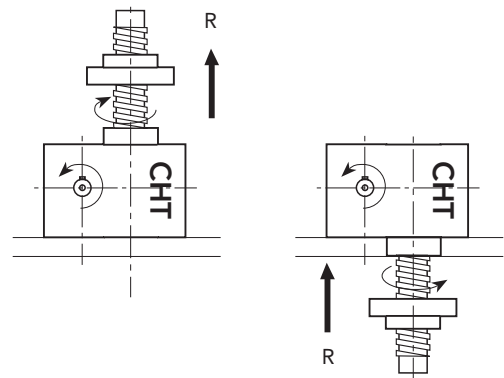
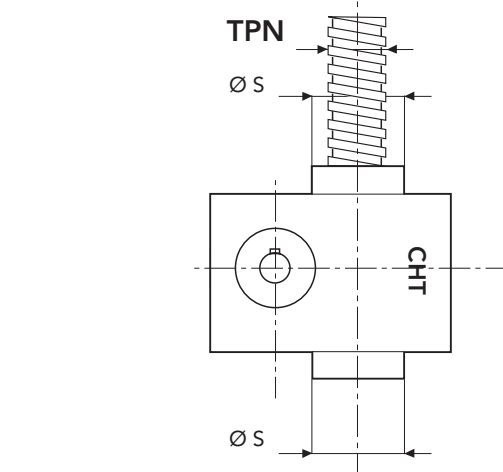


BRONZE NUT

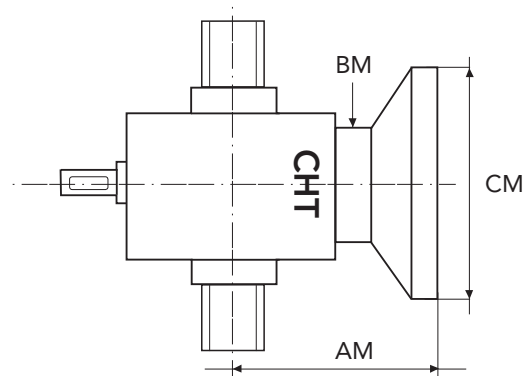


	X	Y	Ø W	Ø K	Ø K1	Ø J
CHS14	250	80	210	320	270	25

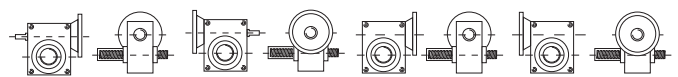
CONFIGURATION



MOTORS ADAPTORS FLANGES



FOR SPECIAL EXECUTION
please consult our technical DPT



M1

M2

M3

M4

SERIES CHS 14 TS - 80000 daN · TPN 140x14