

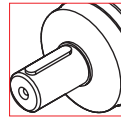


CHPL

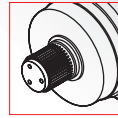
	<i>i</i>	
16001	3.56 ÷ 6.75	1 reduction stage
16002	13.4 ÷ 48.9	2 reduction stages
16003	57.6 ÷ 330.3	3 reduction stages
16004	352.0 ÷ 2229.7	4 reduction stages

OUT

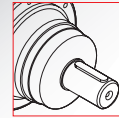
IN



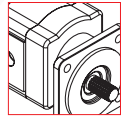
Ø100



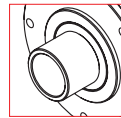
80x74
100x94
DIN 5482



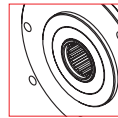
Ø42
Ø65



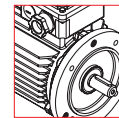
Hydraulic
Motor



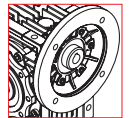
Ø120



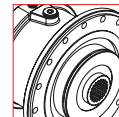
80x74
DIN 5482



Electric
Motor



Worm
gearboxes



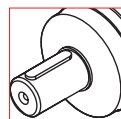
Brake

CHPLB

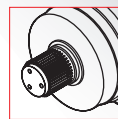
	<i>i</i>	
16002	12.3 ÷ 36.7	2 reduction stages
16003	46.4 ÷ 266.4	3 reduction stages
16004	140.1 ÷ 969.0	4 reduction stages

OUT

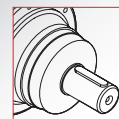
IN



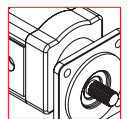
Ø100



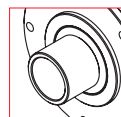
80x74
100x94
DIN 5482



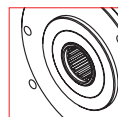
Ø42
Ø65



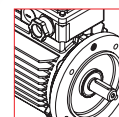
Hydraulic
Motor



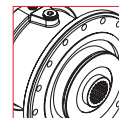
Ø120



80x74
DIN 5482

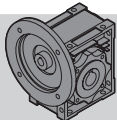
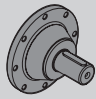


Electric
Motor



Brake

DATI TECNICI · TECHNICAL DATA

CHPL	i	T _{2n} (n ₁ = 1400 rpm) 10.000h FS=1 [Nm]	P _{1n} (n ₁ = 1400 rpm) 10.000h FS=1 [kW]	T ₂ Max [Nm]	P _t 1400 rpm [kW]	IEC			
						(B5)			
16001	3.56	7352	312	36760	40	160 200	180 225	CHM 110 CHM 130	CM65 CP65
	4.29	6609	234	32020					
	5.6	5308	144	24500					
	6.75	4399	99	18620					
16002	13.4	9447	111	36760	23	63 80 100 132 180	71 90 112 160	CHM 50 CHM 63 CHM 75 CHM 90 CHM 110 CHM 130	CM42 CM65 CP65
	16.2	8378	81.4	32020					
	22.1	8956	63.8	32020					
	28.9	7271	39.6	24500					
	33.6	7514	35.2	24500					
	40.5	5660	22	18620					
	48.9	6151	19.8	18620					
16003	57.6	12181	34.5	36760	15	63 80 100 132	71 90 112 160	CHM 50 CHM 63 CHM 75 CHM 90	CM42
	62.9	12147	31.5	36760					
	75.2	12447	27	36760					
	82.1	12833	25.5	36760					
	94.9	11344	19.5	32020					
	109.3	12060	18	32020					
	118.5	8717	12	24500					
	124	12543	16.5	32020					
	129.4	9519	12	24500					
	144	9538	10.8	24500					
	155.9	9558	10	24500					
	188.2	10153	8.8	24500					
	195.3	10060	8.4	24500					
	209.7	7713	6	18620					
	226.8	10010	7.2	24500					
	235.4	8081	5.6	18620					
	274.1	10754	6.4	24500					
330.3	8099	4	18620						
16004	352	16243	7.8	36760	11	63 80 100 132	71 90 112 160	CHM 50 CHM 63 CHM 75 CHM 90	CM42
	388.6	16551	7.2	36760					
	421.2	17193	6.9	36760					
	440.9	14866	5.7	32020					
	459.9	17139	6.3	36760					
	507.7	18020	6	36760					
	531.4	15088	4.8	32020					
	554.4	17711	5.4	36760					
	576.1	12269	3.6	24500					
	612	16299	4.5	32020					
	640.5	15913	4.2	32020					
	724.4	12257	2.86	24500					
	806.4	12593	2.64	24500					
	907.3	12990	2.42	24500					
	1008.9	17069	2.86	32020					
	1093.7	13523	2.09	24500					
	1270.1	14050	1.87	24500					
1530.9	14942	1.65	24500						
1849.8	14445	1.32	24500						
2229.7	11608	0.88	18620						

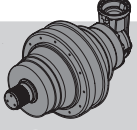
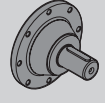
n_{1max} = 2800 rpm

per ulteriori rapporti consultare l'ufficio tecnico

for information consult the technical office



DATI TECNICI · TECHNICAL DATA

 CHPLB	i	T_{2n} (n ₁ = 1400 rpm) 10.000h FS=1 [Nm]	P_{1n} (n ₁ = 1400 rpm) 10.000h FS=1 [kW]	T_2 Max [Nm]	P_t 1400 rpm [kW]	IEC		 CM/CP
						(B5)		
16002	12.3	9142	117	36760	23	63 80 100 132 180	71 90 112 160	CM42 CM65 CP65
	14.8	8462	90	32020				
	19.3	6621	54	24500				
	23.3	5328	36	18620				
	30.5	7265	37.5	24500				
	36.7	5945	25.5	18620				
16003	46.4	11945	42	36760	15	63 80 100 132	71 90 112 160	CM42 CM65 CP65
	50.7	12121	39	36760				
	61.1	10675	28.5	32020				
	76.5	11255	24	32020				
	88.8	11431	21	32020				
	96.2	11500	19.5	32020				
	116.1	9003	12.65	24500				
	120.6	12198	16.5	32020				
	125.8	9331	12.1	24500				
	140	12272	14.3	32020				
	157.5	9558	9.9	24500				
	182.9	9866	8.8	24500				
	221	10432	7.7	24500				
	266.4	8084	4.95	18620				
16004	140.1	16162	19.5	36760	11	63 80 100 132	71 90 112 160	CM42 CM65 CP65
	168.9	16485	16.5	36760				
	184.4	14726	13.5	32020				
	203.5	14445	12	32020				
	230.9	15366	11.25	32020				
	240.9	11757	8.25	24500				
	290.4	15461	9	32020				
	301.8	12051	6.75	24500				
	320.6	15647	8.25	32020				
	347.5	12662	6.16	24500				
	379.5	12348	5.5	24500				
	418.9	12540	5.06	24500				
	457.4	13097	4.84	24500				
	510.4	13284	4.4	24500				
	551.9	13646	4.18	24500				
	665.3	13853	3.52	24500				
	803.9	14647	3.08	24500				
	969	11349	1.98	18620				

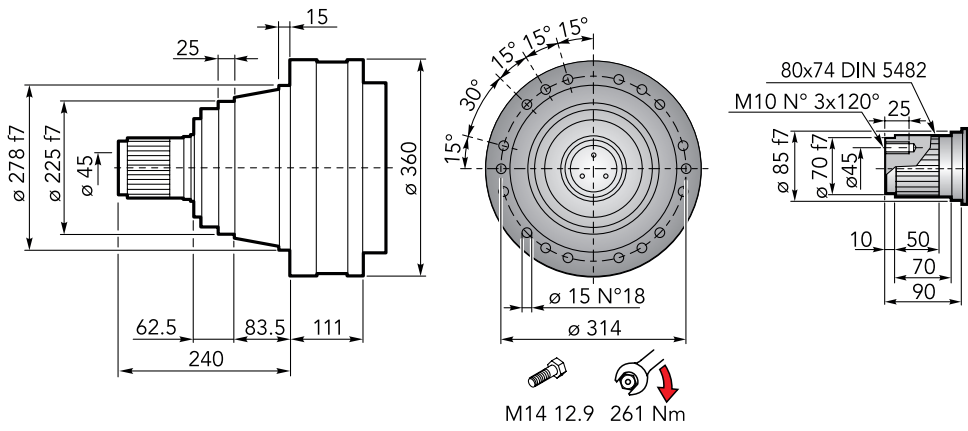
CHPLB 16000

n_{1max} = 2800 rpm

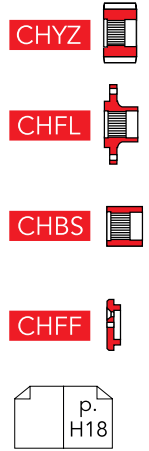
per ulteriori rapporti consultare l'ufficio tecnico

for information consult the technical office

DIMENSIONI · DIMENSIONS



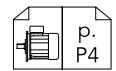
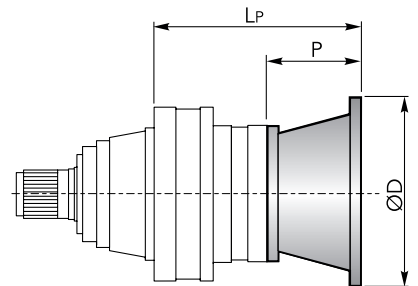
Accessori Accessories



CHPL 16000 CMS - Flange motori IEC | IEC Motor flanges

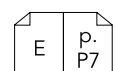
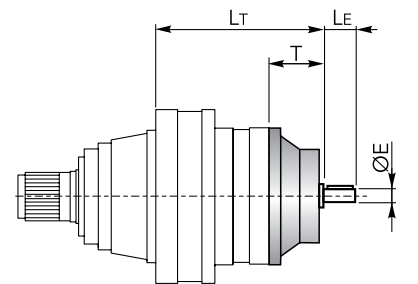
CHPL	IEC 63			IEC 71			IEC 80			IEC 90			IEC 100		
	LP	P	ØD	LP	P	ØD	LP	P	ØD	LP	P	ØD	LP	P	ØD
16001	-			-			-			-			-		
16002	248.5			248.5			268.5			268.5			278.5		
16003	309.5	36	140	309.5	36	160	329.5	56	200	329.5	56	200	339.5	66	250
16004	357.5			357.5			377.5			377.5			387.5		

CHPL	IEC 112			IEC 132			IEC 160			IEC 180			IEC 200			IEC 225		
	LP	P	ØD	LP	P	ØD	LP	P	ØD	LP	P	ØD	LP	P	ØD	LP	P	ØD
16001	-			-			259	118	350	259	118	350	289	148	400	280	139	450
16002	278.5			312.5			351.5			351.5	139	350	-			-		
16003	339.5	66	250	373.5	100	300	412.5	139	350	-			-			-		
16004	387.5			421.5			460.5			-			-			-		



CHPL 16000 CMS - Alberi maschi entrata | Male input shafts

CHPL	CM42				CM65				CP65			
	LT	T	LE	ØE	LT	T	LE	ØE	LT	T	LE	ØE
16001	-				262.5	121.5	105	65 h6	294	153	105	65 h6
16002	305.5				347.5				379			
16003	366.5	93	82	42 h6	-			-				
16004	414.5				-			-				



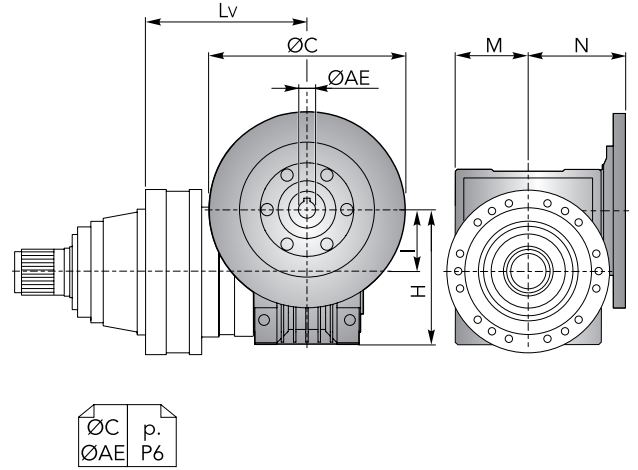


DIMENSIONI · DIMENSIONS

CHPL 16000 CMS - Riduttore a vite senza fine CHM in entrata | *CHM input worm gearboxes*

CHPL	CHM 50					CHM 63					CHM 75				
	Lv	I	H	M	N	Lv	I	H	M	N	Lv	I	H	M	N
16001	-					-					-				
16002	338					347.5					326.5				
16003	399	50	110	60	80	408.5	63	135	72	95	387.5	75	161	86	112.5
16004	447					456.5					435.5				

CHPL	CHM 90					CHM 110					CHM 130					
	Lv	I	H	M	N	Lv	I	H	M	N	Lv	I	H	M	N	
16001	-					279					286					
16002	336.5					364	110	237.5	127.5	160	371	130	277.5	147.5	180	
16003	397.5	90	193	103	129.5	-					-					
16004	445.5					-					-					

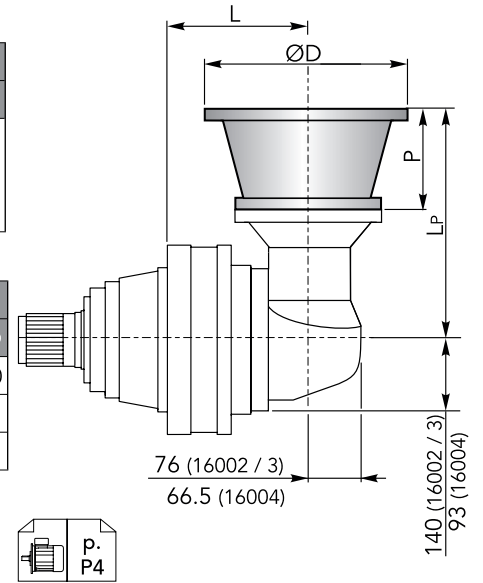


CHPL / CHPLB 16000 CMS

CHPLB 16000 CMS - Flange motori IEC | *IEC Motor flanges*

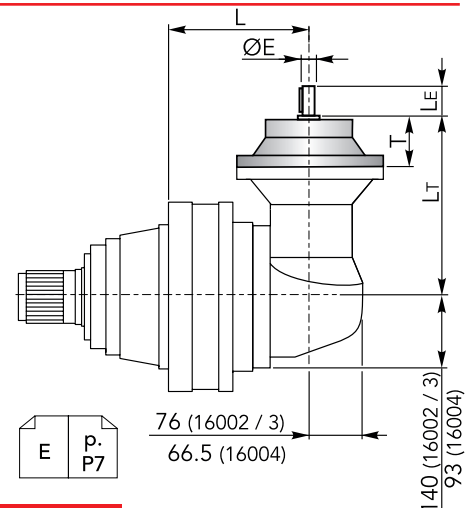
CHPLB	IEC 63				IEC 71				IEC 80				IEC 90			
	L	LP	P	ØD	L	LP	P	ØD	L	LP	P	ØD	L	LP	P	ØD
16002	229	276	36	140	229	276	36	160	229	296	56	200	229	296	56	200
16003	314				314				314				314			
16004	348.5	196			348.5	196			348.5	216			348.5	216		

CHPLB	IEC 100				IEC 112				IEC 132				IEC 160				IEC 180			
	L	LP	P	ØD	L	LP	P	ØD	L	LP	P	ØD	L	LP	P	ØD	L	LP	P	ØD
16002	229	306	66	250	229	306	66	250	229	340	100	300	229	379	139	350	229	379	139	350
16003	314				314				314				314				314			
16004	348.5	226			348.5	226			348.5	260			348.5	299						

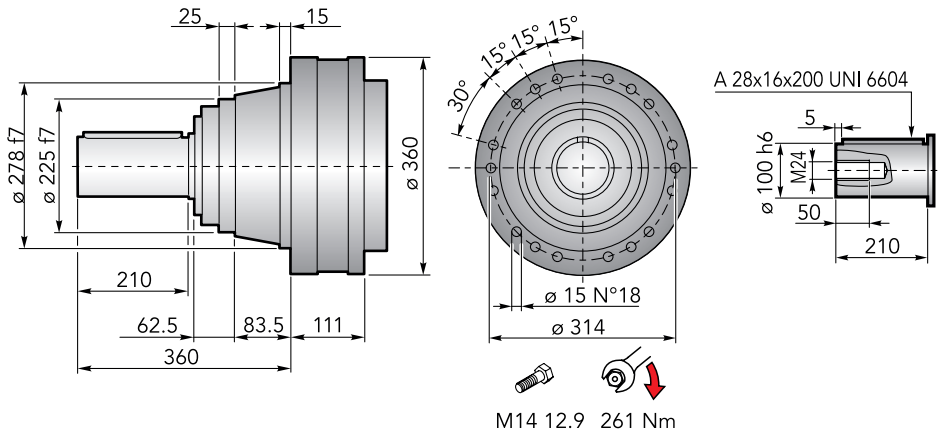


CHPLB 16000 CMS - Alberi maschi entrata | *Male input shafts*

CHPLB	CM42					CM65					CP65				
	L	Lt	T	Le	ØE	L	Lt	T	Le	ØE	L	Lt	T	Le	ØE
16002	229	333	93	82	42 h6	229	377.5	121.5	105	65 h6	229	409	153	105	65 h6
16003	314					314					314				
16004	348.5	253				348.5	297.5				348.5	329			



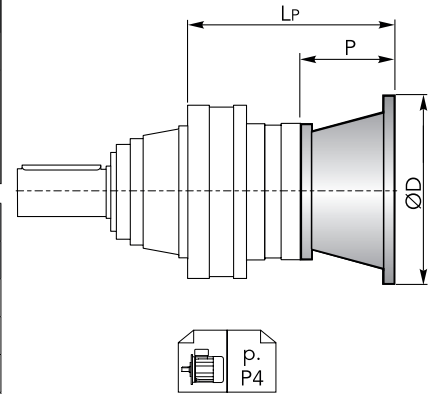
DIMENSIONI · DIMENSIONS



CHPL 16000 CMC - Flange motori IEC | IEC Motor flanges

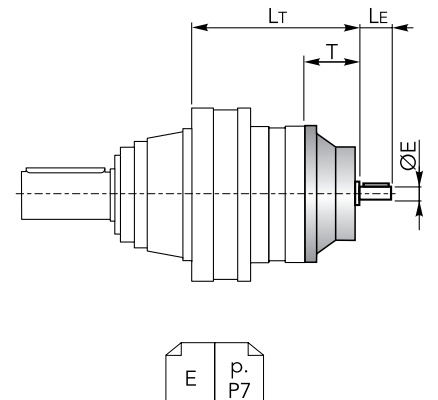
CHPL	IEC 63			IEC 71			IEC 80			IEC 90			IEC 100		
	LP	P	ØD	LP	P	ØD	LP	P	ØD	LP	P	ØD	LP	P	ØD
16001	-			-			-			-			-		
16002	248.5			248.5			268.5			268.5			278.5		
16003	309.5	36	140	309.5	36	160	329.5	56	200	329.5	56	200	339.5	66	250
16004	357.5			357.5			377.5			377.5			387.5		

CHPL	IEC 112			IEC 132			IEC 160			IEC 180			IEC 200			IEC 225		
	LP	P	ØD	LP	P	ØD	LP	P	ØD	LP	P	ØD	LP	P	ØD	LP	P	ØD
16001	-			-			259	118	350	259	118	350	289	148	400	280	139	450
16002	278.5			312.5			351.5			351.5	139	350	-			-		
16003	339.5	66	250	373.5	100	300	412.5	139	350	-			-			-		
16004	387.5			421.5			460.5			-			-			-		



CHPL 16000 CMC - Alberi maschi entrata | Male input shafts

CHPL	CM42				CM65				CP65			
	LT	T	LE	ØE	LT	T	LE	ØE	LT	T	LE	ØE
16001	-				262.5	121.5	105	65 h6	294	153	105	65 h6
16002	305.5				347.5				379			
16003	366.5	93	82	42 h6	-			-				
16004	414.5				-			-				



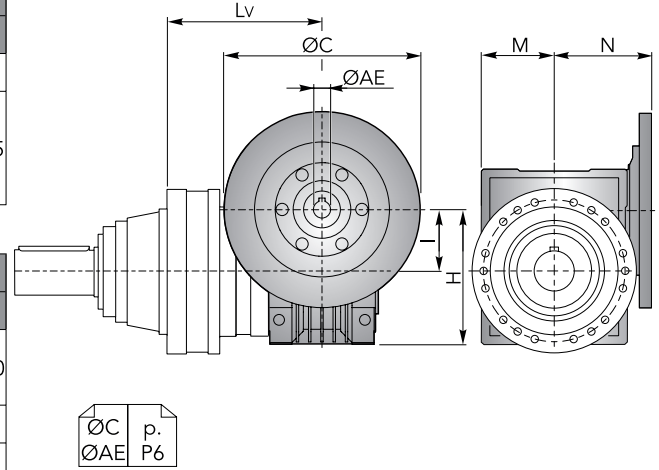


DIMENSIONI · DIMENSIONS

CHPL 16000 CMC - Riduttore a vite senza fine CHM in entrata | *CHM input worm gearboxes*

CHPL	CHM 50					CHM 63					CHM 75				
	Lv	I	H	M	N	Lv	I	H	M	N	Lv	I	H	M	N
16001	-					-					-				
16002	338					347.5					326.5				
16003	399	50	110	60	80	408.5	63	135	72	95	387.5	75	161	86	112.5
16004	447					456.5					435.5				

CHPL	CHM 90					CHM 110					CHM 130					
	Lv	I	H	M	N	Lv	I	H	M	N	Lv	I	H	M	N	
16001	-					279					286					
16002	336.5					364	110	237.5	127.5	160	371	130	277.5	147.5	180	
16003	397.5	90	193	103	129.5	-					-					
16004	445.5					-					-					

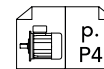
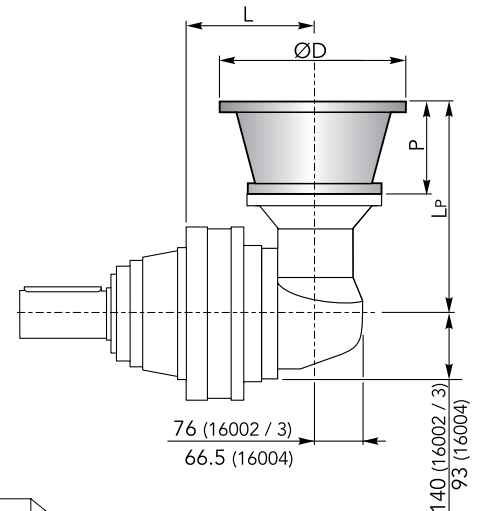


CHPL / CHPLB 16000 CMC

CHPLB 16000 CMC - Flange motori IEC | *IEC Motor flanges*

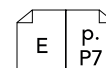
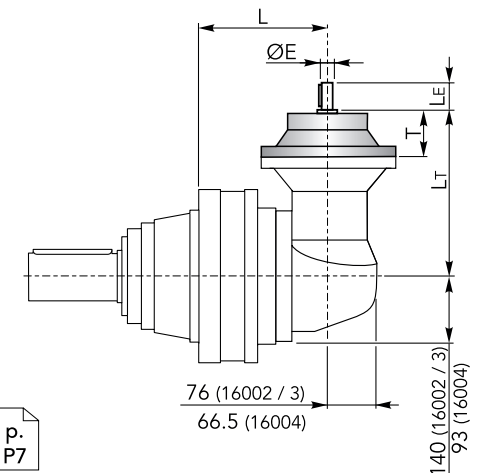
CHPLB	IEC 63				IEC 71				IEC 80				IEC 90			
	L	LP	P	ØD	L	LP	P	ØD	L	LP	P	ØD	L	LP	P	ØD
16002	229				229				229				229			
16003	314	276	36	140	314	276	36	160	314	296	56	200	314	296	56	200
16004	348.5	196			348.5	196			348.5	216			348.5	216		

CHPLB	IEC 100				IEC 112				IEC 132				IEC 160				IEC 180			
	L	LP	P	ØD	L	LP	P	ØD	L	LP	P	ØD	L	LP	P	ØD	L	LP	P	ØD
16002	229				229				229				229				229	379	139	350
16003	314	306	66	250	314	306	66	250	314	340	100	300	314	379	139	350	-			
16004	348.5	226			348.5	226			348.5	260			348.5	299			-			

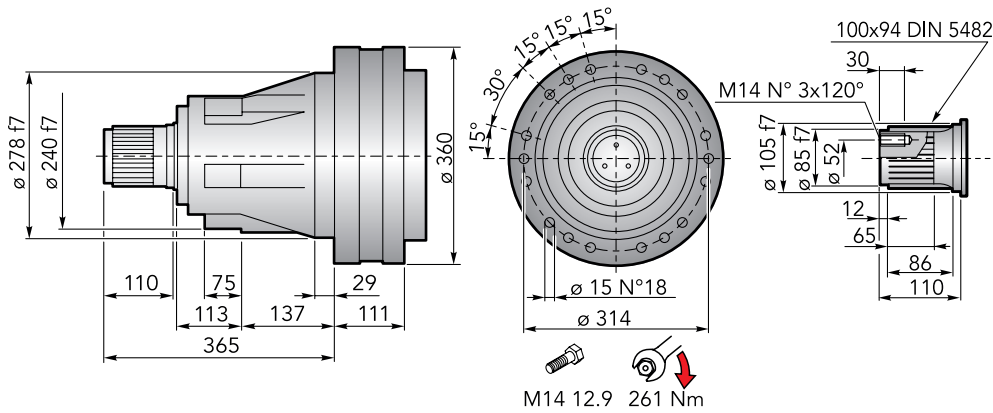


CHPLB 16000 CMC - Alberi maschi entrata | *Male input shafts*

CHPLB	CM42					CM65					CP65				
	L	Lt	T	Le	ØE	L	Lt	T	Le	ØE	L	Lt	T	Le	ØE
16002	229					229					229				
16003	314	333	93	82	42 h6	314	377.5	121.5	105	65 h6	314	409	153	105	65 h6
16004	348.5	253				348.5	297.5				348.5	329			



DIMENSIONI · DIMENSIONS



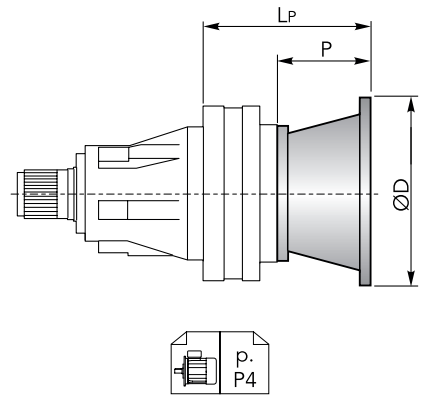
Accessori
Accessories



CHPL 16000 CPS - Flange motori IEC | IEC Motor flanges

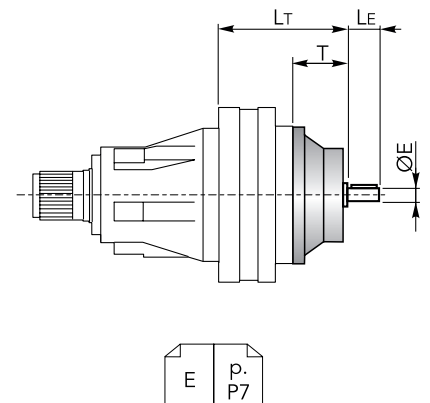
CHPL	IEC 63			IEC 71			IEC 80			IEC 90			IEC 100		
	LP	P	ØD	LP	P	ØD	LP	P	ØD	LP	P	ØD	LP	P	ØD
16001	-			-			-			-			-		
16002	248.5			248.5			268.5			268.5			278.5		
16003	309.5	36	140	309.5	36	160	329.5	56	200	329.5	56	200	339.5	66	250
16004	357.5			357.5			377.5			377.5			387.5		

CHPL	IEC 112			IEC 132			IEC 160			IEC 180			IEC 200			IEC 225		
	LP	P	ØD	LP	P	ØD	LP	P	ØD	LP	P	ØD	LP	P	ØD	LP	P	ØD
16001	-			-			259	118	350	259	118	350	289	148	400	280	139	450
16002	278.5			312.5			351.5			351.5	139	350	-		-			
16003	339.5	66	250	373.5	100	300	412.5	139	350	-		-	-		-			
16004	387.5			421.5			460.5			-		-	-		-			



CHPL 16000 CPS - Alberi maschi entrata | Male input shafts

CHPL	CM42				CM65				CP65			
	LT	T	LE	ØE	LT	T	LE	ØE	LT	T	LE	ØE
16001	-				262.5	121.5	105	65 h6	294	153	105	65 h6
16002	305.5				347.5				379			
16003	366.5	93	82	42 h6	-				-			
16004	414.5				-				-			



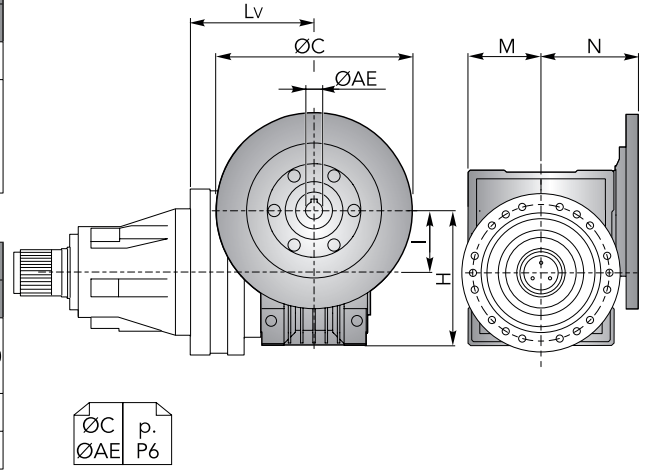


DIMENSIONI · DIMENSIONS

CHPL 16000 CPS - Riduttore a vite senza fine CHM in entrata | *CHM input worm gearboxes*

CHPL	CHM 50					CHM 63					CHM 75				
	Lv	I	H	M	N	Lv	I	H	M	N	Lv	I	H	M	N
16001	-					-					-				
16002	338					347.5					326.5				
16003	399	50	110	60	80	408.5	63	135	72	95	387.5	75	161	86	112.5
16004	447					456.5					435.5				

CHPL	CHM 90					CHM 110					CHM 130				
	Lv	I	H	M	N	Lv	I	H	M	N	Lv	I	H	M	N
16001	-					-					-				
16002	336.5					364	110	237.5	127.5	160	286	130	277.5	147.5	180
16003	397.5	90	193	103	129.5										
16004	445.5														

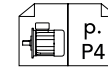
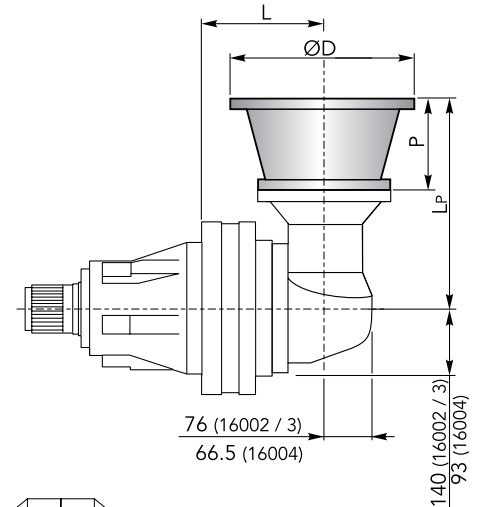


CHPL / CHPLB 16000 CPS

CHPLB 16000 CPS - Flange motori IEC | *IEC Motor flanges*

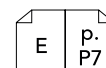
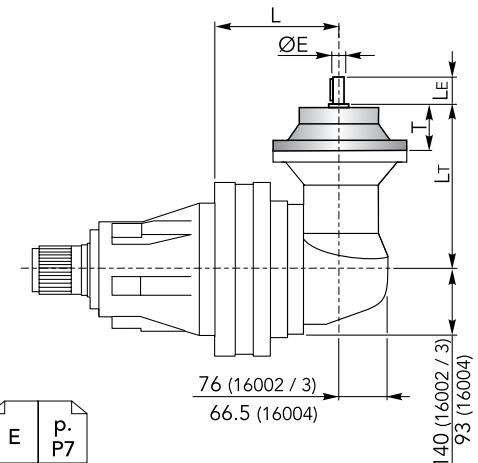
CHPLB	IEC 63				IEC 71				IEC 80				IEC 90			
	L	LP	P	ØD	L	LP	P	ØD	L	LP	P	ØD	L	LP	P	ØD
16002	229				229				229				229			
16003	314	276	36	140	314	276	36	160	314	296	56	200	314	296	56	200
16004	348.5	196			348.5	196			348.5	216			348.5	216		

CHPLB	IEC 100				IEC 112				IEC 132				IEC 160				IEC 180			
	L	LP	P	ØD	L	LP	P	ØD	L	LP	P	ØD	L	LP	P	ØD	L	LP	P	ØD
16002	229				229				229				229				229	379	139	350
16003	314	306	66	250	314	306	66	250	314	340	100	300	314	379	139	350				
16004	348.5	226			348.5	226			348.5	260			348.5	299						

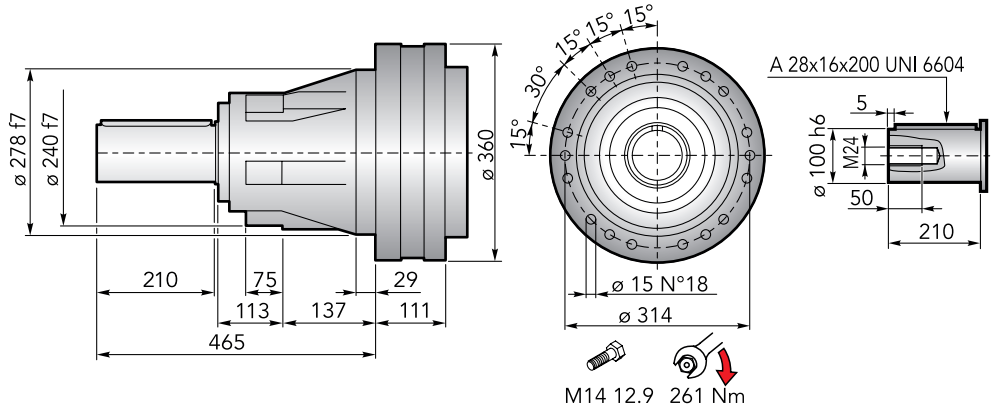


CHPLB 16000 CPS - Alberi maschi entrata | *Male input shafts*

CHPLB	CM42					CM65					CP65				
	L	Lt	T	Le	ØE	L	Lt	T	Le	ØE	L	Lt	T	Le	ØE
16002	229					229					229				
16003	314	333	93	82	42 h6	314	377.5	121.5	105	65 h6	314	409	153	105	65 h6
16004	348.5	253				348.5	297.5				348.5	329			



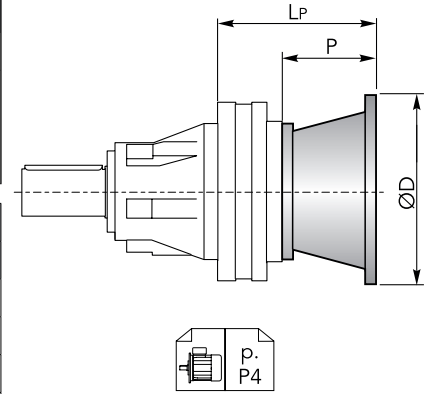
DIMENSIONI · DIMENSIONS



CHPL 16000 CPC - Flange motori IEC | IEC Motor flanges

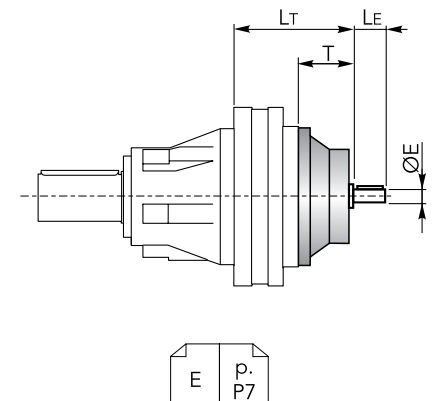
CHPL	IEC 63			IEC 71			IEC 80			IEC 90			IEC 100		
	LP	P	ØD	LP	P	ØD	LP	P	ØD	LP	P	ØD	LP	P	ØD
16001	-			-			-			-			-		
16002	248.5			248.5			268.5			268.5			278.5		
16003	309.5	36	140	309.5	36	160	329.5	56	200	329.5	56	200	339.5	66	250
16004	357.5			357.5			377.5			377.5			387.5		

CHPL	IEC 112			IEC 132			IEC 160			IEC 180			IEC 200			IEC 225		
	LP	P	ØD	LP	P	ØD	LP	P	ØD	LP	P	ØD	LP	P	ØD	LP	P	ØD
16001	-			-			259	118	350	259	118	350	289	148	400	280	139	450
16002	278.5			312.5			351.5			351.5	139	350	-			-		
16003	339.5	66	250	373.5	100	300	412.5	139	350	-			-			-		
16004	387.5			421.5			460.5			-			-			-		



CHPL 16000 CPC - Alberi maschi entrata | Male input shafts

CHPL	CM42				CM65				CP65			
	LT	T	LE	ØE	LT	T	LE	ØE	LT	T	LE	ØE
16001	-				262.5	121.5	105	65 h6	294	153	105	65 h6
16002	305.5				347.5				379			
16003	366.5	93	82	42 h6	-			-				
16004	414.5				-			-				



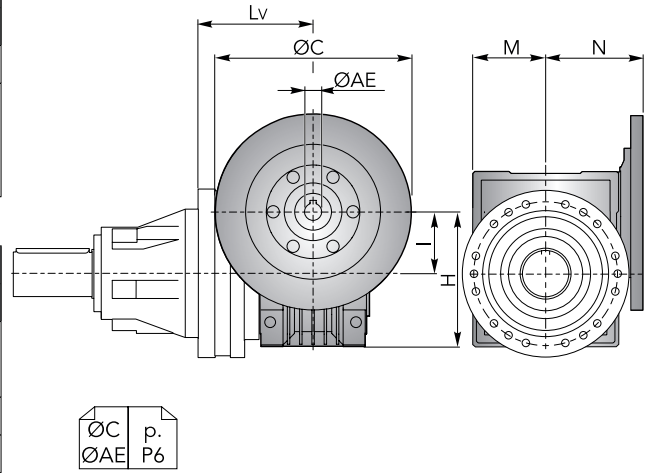


DIMENSIONI · DIMENSIONS

CHPL 16000 CPC - Riduttore a vite senza fine CHM in entrata | *CHM input worm gearboxes*

CHPL	CHM 50					CHM 63					CHM 75				
	Lv	I	H	M	N	Lv	I	H	M	N	Lv	I	H	M	N
16001	-					-					-				
16002	338					347.5					326.5				
16003	399	50	110	60	80	408.5	63	135	72	95	387.5	75	161	86	112.5
16004	447					456.5					435.5				

CHPL	CHM 90					CHM 110					CHM 130					
	Lv	I	H	M	N	Lv	I	H	M	N	Lv	I	H	M	N	
16001	-					279	110	237.5	127.5	160	286	130	277.5	147.5	180	
16002	336.5					364					371					
16003	397.5	90	193	103	129.5	-					-					
16004	445.5					-					-					

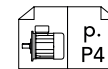
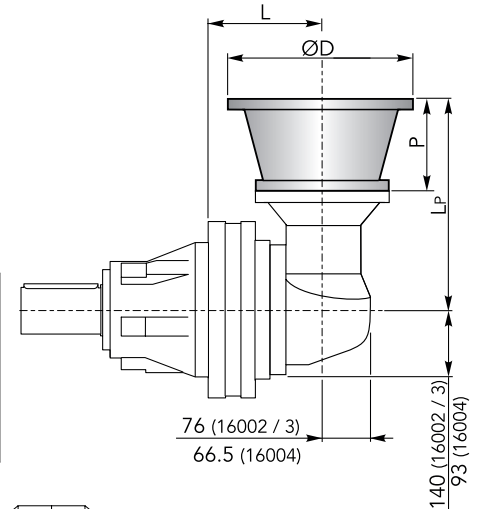


CHPL / CHPLB 16000 CPC

CHPLB 16000 CPC - Flange motori IEC | *IEC Motor flanges*

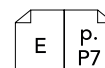
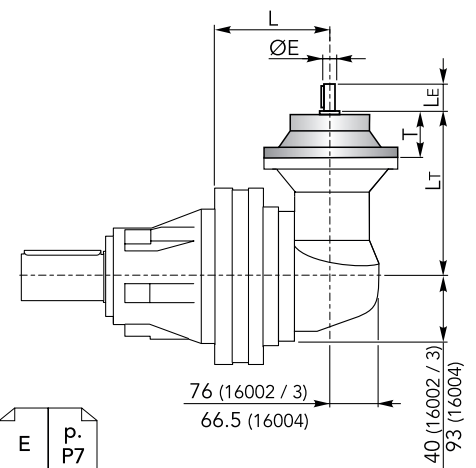
CHPLB	IEC 63				IEC 71				IEC 80				IEC 90			
	L	LP	P	ØD	L	LP	P	ØD	L	LP	P	ØD	L	LP	P	ØD
16002	229				229				229				229			
16003	314	276	36	140	314	276	36	160	314	296	56	200	314	296	56	200
16004	348.5	196			348.5	196			348.5	216			348.5	216		

CHPLB	IEC 100				IEC 112				IEC 132				IEC 160				IEC 180			
	L	LP	P	ØD	L	LP	P	ØD	L	LP	P	ØD	L	LP	P	ØD	L	LP	P	ØD
16002	229				229				229				229				229	379	139	350
16003	314	306	66	250	314	306	66	250	314	340	100	300	314	379	139	350	-			
16004	348.5	226			348.5	226			348.5	260			348.5	299			-			

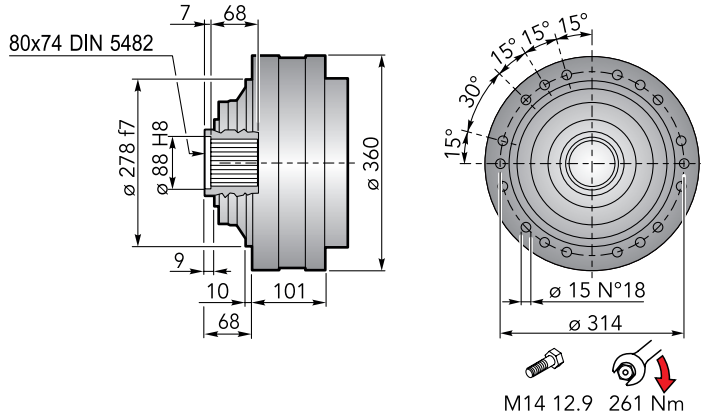


CHPLB 16000 CPC - Alberi maschi entrata | *Male input shafts*

CHPLB	CM42					CM65					CP65				
	L	Lt	T	Le	ØE	L	Lt	T	Le	ØE	L	Lt	T	Le	ØE
16002	229					229					229				
16003	314	333	93	82	42 h6	314	377.5	121.5	105	65 h6	314	409	153	105	65 h6
16004	348.5	253				348.5	297.5				348.5	329			

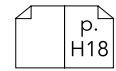


DIMENSIONI · DIMENSIONS



Accessori
Accessories

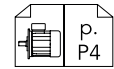
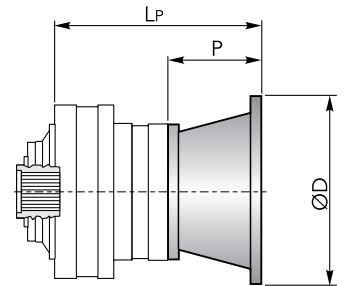
CHKB



CHPL 16000 CF - Flange motori IEC | IEC Motor flanges

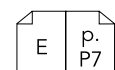
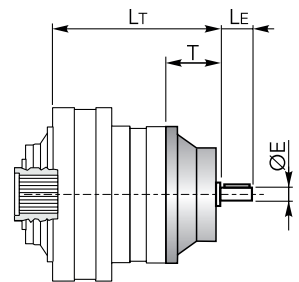
CHPL	IEC 63			IEC 71			IEC 80			IEC 90			IEC 100		
	LP	P	ØD	LP	P	ØD	LP	P	ØD	LP	P	ØD	LP	P	ØD
16001	-	-	-	-	-	-	-	-	-	-	-	-	-	-	-
16002	238.5	-	-	238.5	-	-	258.5	-	-	258.5	-	-	268.5	-	-
16003	299.5	36	140	299.5	36	160	319.5	56	200	319.5	56	200	329.5	66	250
16004	347.5	-	-	347.5	-	-	367.5	-	-	367.5	-	-	377.5	-	-

CHPL	IEC 112			IEC 132			IEC 160			IEC 180			IEC 200			IEC 225		
	LP	P	ØD	LP	P	ØD	LP	P	ØD	LP	P	ØD	LP	P	ØD	LP	P	ØD
16001	-	-	-	-	-	-	249	118	350	249	118	350	279	148	400	270	139	450
16002	268.5	-	-	302.5	-	-	341.5	-	-	341.5	139	350	-	-	-	-	-	-
16003	329.5	66	250	363.5	100	300	402.5	139	350	-	-	-	-	-	-	-	-	-
16004	377.5	-	-	411.5	-	-	450.5	-	-	-	-	-	-	-	-	-	-	-



CHPL 16000 CF - Alberi maschi entrata | Male input shafts

CHPL	CM42				CM65				CP65			
	LT	T	LE	ØE	LT	T	LE	ØE	LT	T	LE	ØE
16001	-				252.5	121.5	105	65 h6	284	153	105	65 h6
16002	295.5	-	-	-	337.5	-	-	-	369	-	-	-
16003	356.5	93	82	42 h6	-				-			
16004	404.5	-	-	-	-				-			



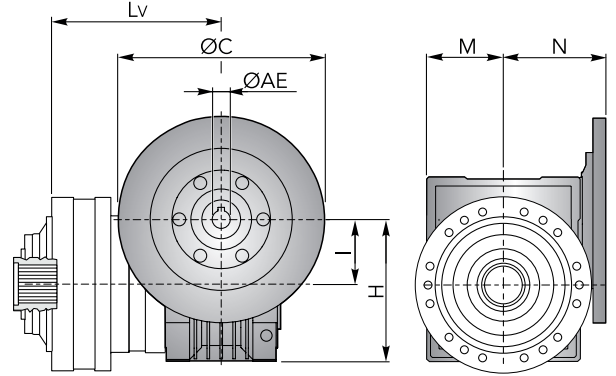


DIMENSIONI · DIMENSIONS

CHPL 16000 CF - Riduttore a vite senza fine CHM in entrata | *CHM input worm gearboxes*

CHPL	CHM 50					CHM 63					CHM 75				
	Lv	I	H	M	N	Lv	I	H	M	N	Lv	I	H	M	N
16001	-					-					-				
16002	328					337.5					316.5				
16003	389	50	110	60	80	398.5	63	135	72	95	377.5	75	161	86	112.5
16004	437					446.5					425.5				

CHPL	CHM 90					CHM 110					CHM 130				
	Lv	I	H	M	N	Lv	I	H	M	N	Lv	I	H	M	N
16001	-					-					-				
16002	326.5					354	110	237.5	127.5	160	276	130	277.5	147.5	180
16003	387.5	90	193	103	129.5										
16004	435.5														

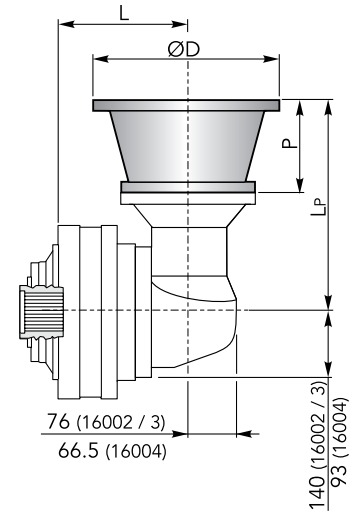


CHPL / CHPLB 16000 CF

CHPLB 16000 CF - Flange motori IEC | *IEC Motor flanges*

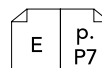
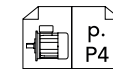
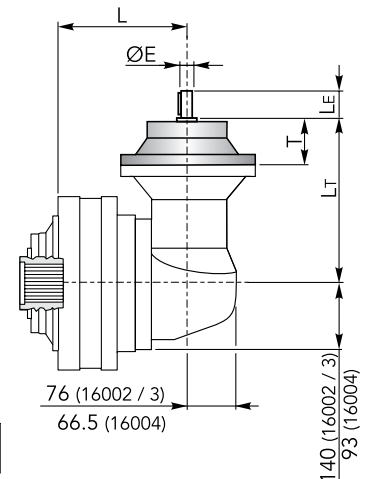
CHPLB	IEC 63				IEC 71				IEC 80				IEC 90			
	L	Lp	P	ØD	L	Lp	P	ØD	L	Lp	P	ØD	L	Lp	P	ØD
16002	219				219				219				219			
16003	304	276	36	140	304	276	36	160	304	296	56	200	304	296	56	200
16004	338.5	196			338.5	196			338.5	216			338.5	216		

CHPLB	IEC 100				IEC 112				IEC 132				IEC 160				IEC 180				
	L	Lp	P	ØD	L	Lp	P	ØD	L	Lp	P	ØD	L	Lp	P	ØD	L	Lp	P	ØD	
16002	219				219				219				219				219				350
16003	304	306	66	250	304	306	66	250	304	340	100	300	304	379	139	350					
16004	338.5	226			338.5	226			338.5	260			338.5	299							

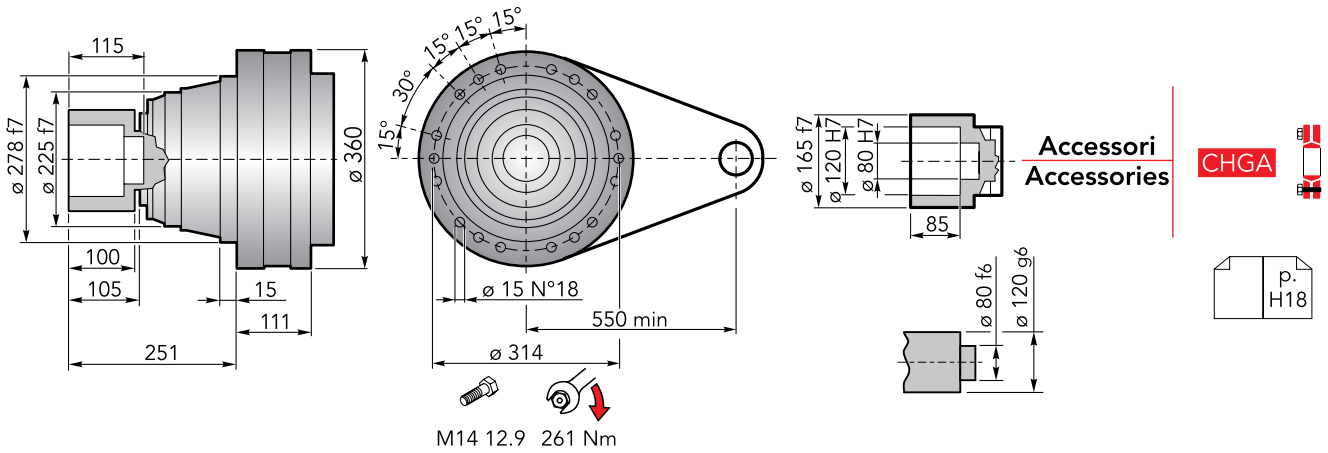


CHPLB 16000 CF - Alberi maschi entrata | *Male input shafts*

CHPLB	CM42					CM65					CP65				
	L	Lt	T	Le	ØE	L	Lt	T	Le	ØE	L	Lt	T	Le	ØE
16002	219					219					219				
16003	304	333	93	82	42 h6	304	377.5	121.5	105	65 h6	304	409	153	105	65 h6
16004	338.5	253				338.5	297.5				338.5	329			



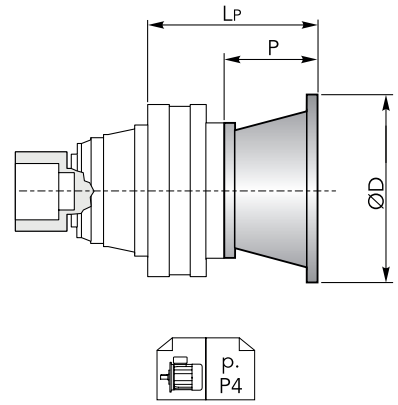
DIMENSIONI · DIMENSIONS



CHPL 16000 CFS - Flange motori IEC | IEC Motor flanges

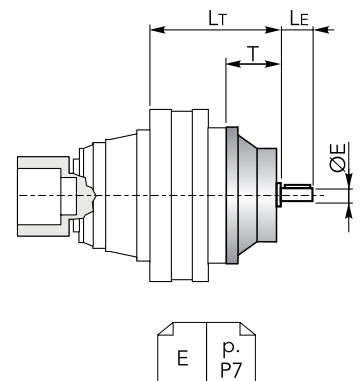
CHPL	IEC 63			IEC 71			IEC 80			IEC 90			IEC 100		
	LP	P	ØD	LP	P	ØD	LP	P	ØD	LP	P	ØD	LP	P	ØD
16001	-			-			-			-			-		
16002	248.5			248.5			268.5			268.5			278.5		
16003	309.5	36	140	309.5	36	160	329.5	56	200	329.5	56	200	339.5	66	250
16004	357.5			357.5			377.5			377.5			387.5		

CHPL	IEC 112			IEC 132			IEC 160			IEC 180			IEC 200			IEC 225		
	LP	P	ØD	LP	P	ØD	LP	P	ØD	LP	P	ØD	LP	P	ØD	LP	P	ØD
16001	-			-			259	118	350	259	118	350	289	148	400	280	139	450
16002	278.5			312.5			351.5			351.5	139	350	-			-		
16003	339.5	66	250	373.5	100	300	412.5	139	350	-			-			-		
16004	387.5			421.5			460.5			-			-			-		



CHPL 16000 CFS - Alberi maschi entrata | Male input shafts

CHPL	CM42				CM65				CP65				
	LT	T	LE	ØE	LT	T	LE	ØE	LT	T	LE	ØE	
16001	-				262.5				294				
16002	305.5				347.5	121.5	105	65 h6	379	153	105	65 h6	
16003	366.5	93	82	42 h6	-				-				
16004	414.5				-				-				



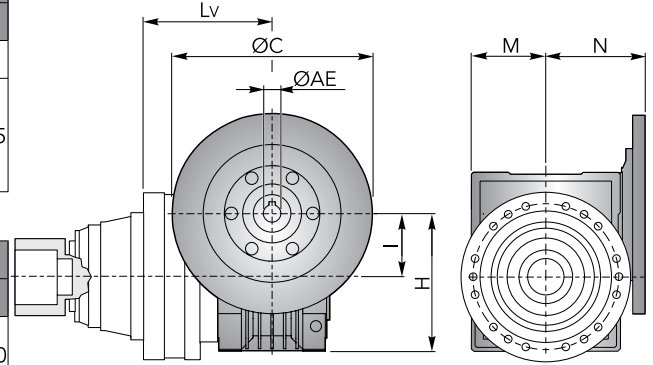


DIMENSIONI · DIMENSIONS

CHPL 16000 CFS - Riduttore a vite senza fine CHM in entrata | *CHM input worm gearboxes*

CHPL	CHM 50					CHM 63					CHM 75				
	Lv	I	H	M	N	Lv	I	H	M	N	Lv	I	H	M	N
16001	-					-					-				
16002	338					347.5					326.5				
16003	399	50	110	60	80	408.5	63	135	72	95	387.5	75	161	86	112.5
16004	447					456.5					435.5				

CHPL	CHM 90					CHM 110					CHM 130					
	Lv	I	H	M	N	Lv	I	H	M	N	Lv	I	H	M	N	
16001	-					279	110	237.5	127.5	160	286	130	277.5	147.5	180	
16002	336.5					364					371					
16003	397.5	90	193	103	129.5	-					-					
16004	445.5					-					-					

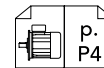
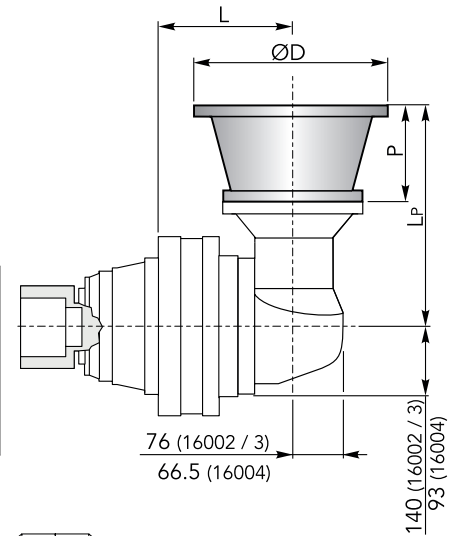


CHPL / CHPLB 16000 CFS

CHPLB 16000 CFS - Flange motori IEC | *IEC Motor flanges*

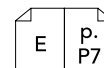
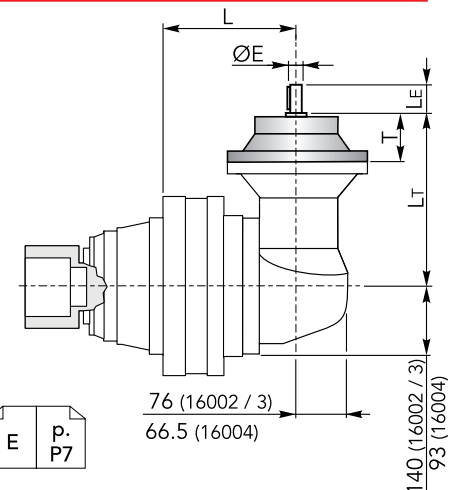
CHPLB	IEC 63				IEC 71				IEC 80				IEC 90			
	L	Lp	P	ØD	L	Lp	P	ØD	L	Lp	P	ØD	L	Lp	P	ØD
16002	229				229				229				229			
16003	314	276	36	140	314	276	36	160	314	296	56	200	314	296	56	200
16004	348.5	196			348.5	196			348.5	216			348.5	216		

CHPLB	IEC 100				IEC 112				IEC 132				IEC 160				IEC 180			
	L	Lp	P	ØD	L	Lp	P	ØD	L	Lp	P	ØD	L	Lp	P	ØD	L	Lp	P	ØD
16002	229				229				229				229				229	379	139	350
16003	314	306	66	250	314	306	66	250	314	340	100	300	314	379	139	350	-			
16004	348.5	226			348.5	226			348.5	260			348.5	299			-			

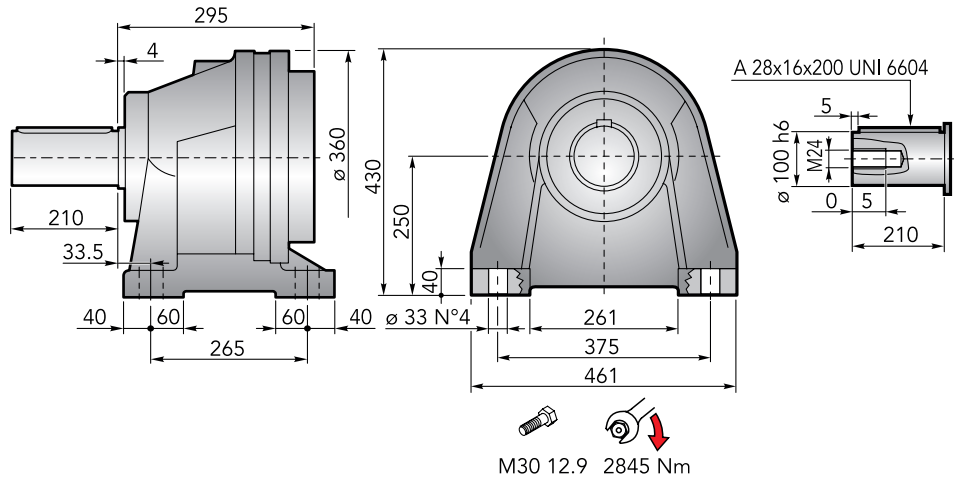


CHPLB 16000 CFS - Alberi maschi entrata | *Male input shafts*

CHPLB	CM42					CM65					CP65				
	L	Lt	T	Le	ØE	L	Lt	T	Le	ØE	L	Lt	T	Le	ØE
16002	229					229					229				
16003	314	333	93	82	42 h6	314	377.5	121.5	105	65 h6	314	409	153	105	65 h6
16004	348.5	253				348.5	297.5				348.5	329			



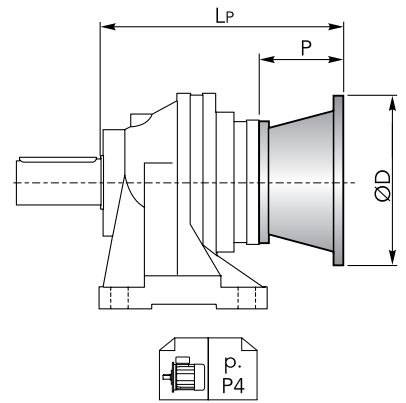
DIMENSIONI · DIMENSIONS



CHPL 16000 CCPC - Flange motori IEC | IEC Motor flanges

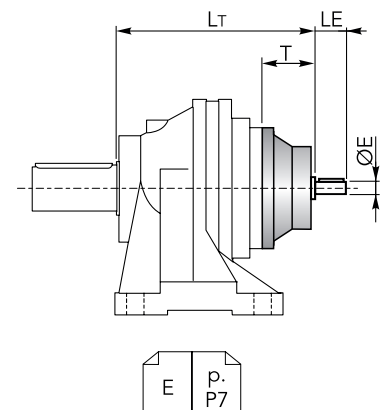
CHPL	IEC 63			IEC 71			IEC 80			IEC 90			IEC 100		
	LP	P	ØD	LP	P	ØD	LP	P	ØD	LP	P	ØD	LP	P	ØD
16001	-	-	-	-	-	-	-	-	-	-	-	-	-	-	-
16002	352.5	-	-	352.5	-	-	372.5	-	-	372.5	-	-	382.5	-	-
16003	463.5	36	140	463.5	36	160	483.5	56	200	483.5	56	200	493.5	66	250
16004	511.5	-	-	511.5	-	-	531.5	-	-	531.5	-	-	541.5	-	-

CHPL	IEC 112			IEC 132			IEC 160			IEC 180			IEC 200			IEC 225		
	LP	P	ØD	LP	P	ØD	LP	P	ØD	LP	P	ØD	LP	P	ØD	LP	P	ØD
16001	-	-	-	-	-	-	413	118	350	413	118	350	443	148	400	434	139	450
16002	382.5	-	-	416.5	-	-	455.5	-	-	455.5	139	350	-	-	-	-	-	-
16003	493.5	66	250	527.5	100	300	566.5	139	350	-	-	-	-	-	-	-	-	-
16004	541.5	-	-	575.5	-	-	614.5	-	-	-	-	-	-	-	-	-	-	-



CHPL 16000 CCPC - Alberi maschi entrata | Male input shafts

CHPL	CM42				CM65				CP65			
	LT	T	LE	ØE	LT	T	LE	ØE	LT	T	LE	ØE
16001	-	-	-	-	416.5	121.5	105	65 h6	448	153	105	65 h6
16002	409.5	-	-	-	451.5	-	-	-	483	-	-	-
16003	520.5	93	82	42 h6	-	-	-	-	-	-	-	-
16004	568.5	-	-	-	-	-	-	-	-	-	-	-



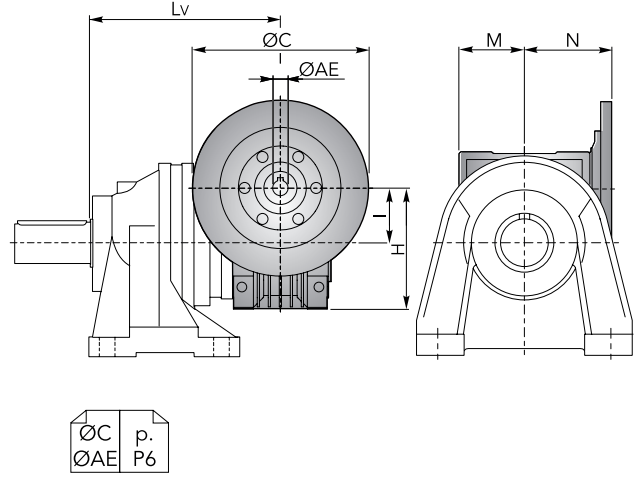


DIMENSIONI · DIMENSIONS

CHPL 16000 CCPC - Riduttore a vite senza fine CHM in entrata | *CHM input worm gearboxes*

CHPL	CHM 50					CHM 63					CHM 75				
	Lv	I	H	M	N	Lv	I	H	M	N	Lv	I	H	M	N
16001	-					-					-				
16002	442					451.5					430.5				
16003	553	50	110	60	80	562.5	63	135	72	95	541.5	75	161	86	112.5
16004	601					610.5					589.5				

CHPL	CHM 90					CHM 110					CHM 130					
	Lv	I	H	M	N	Lv	I	H	M	N	Lv	I	H	M	N	
16001	-					433					440					
16002	440.5					468	110	237.5	127.5	160	475	130	277.5	147.5	180	
16003	551.5	90	193	103	129.5	-					-					
16004	599.5					-					-					

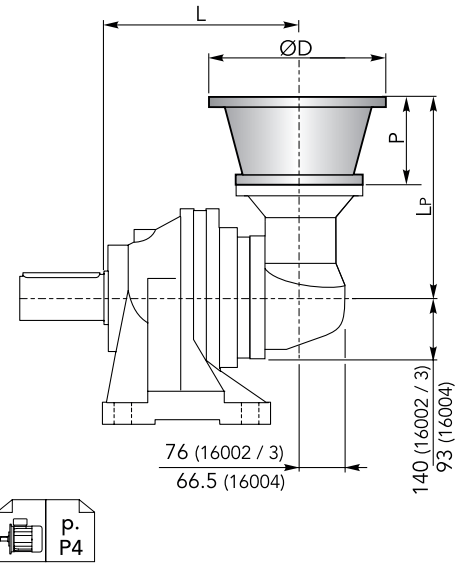


CHPL / CHPLB 16000 CCPC

CHPLB 16000 CCPC - Flange motori IEC | *IEC Motor flanges*

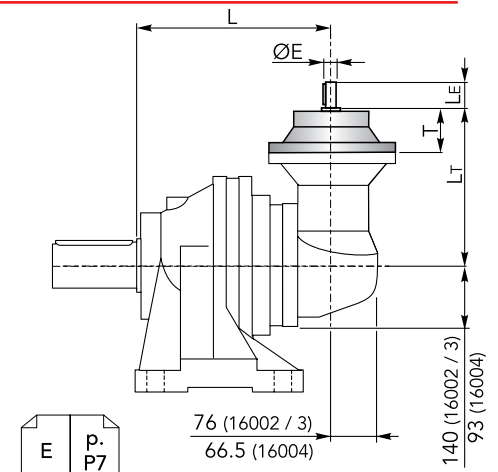
CHPLB	IEC 63				IEC 71				IEC 80				IEC 90			
	L	Lp	P	ØD	L	Lp	P	ØD	L	Lp	P	ØD	L	Lp	P	ØD
16002	383				383				383				383			
16003	468	276	36	140	468	276	36	160	468	296	56	200	468	296	56	200
16004	502.5	196			502.5	196			502.5	216			502.5	216		

CHPLB	IEC 100				IEC 112				IEC 132				IEC 160				IEC 180			
	L	Lp	P	ØD	L	Lp	P	ØD	L	Lp	P	ØD	L	Lp	P	ØD	L	Lp	P	ØD
16002	383				383				383				383				383			
16003	468	306	66	250	468	306	66	250	468	340	100	300	468	379	139	350	-			
16004	502.5	226			502.5	226			502.5	260			502.5	299			-			



CHPLB 16000 CCPC - Alberi maschi entrata | *Male input shafts*

CHPLB	CM42					CM65					CP65				
	L	Lt	T	Le	ØE	L	Lt	T	Le	ØE	L	Lt	T	Le	ØE
16002	383					383					383				
16003	468	333	93	82	42 h6	468	377.5	121.5	105	65 h6	468	409	153	105	65 h6
16004	502.5	253				502.5	297.5				502.5	329			

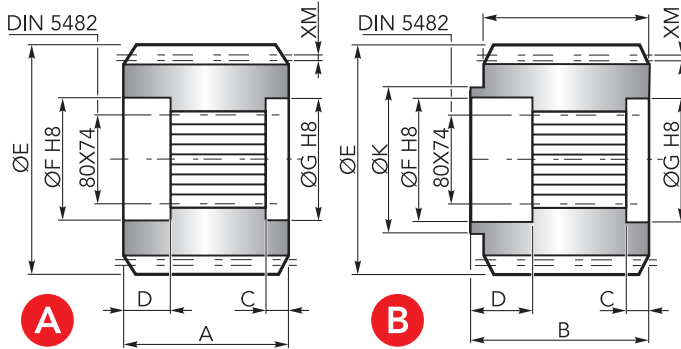


ACCESSORI · ACCESSORIES

CHYZ



Pignoni | Pinions

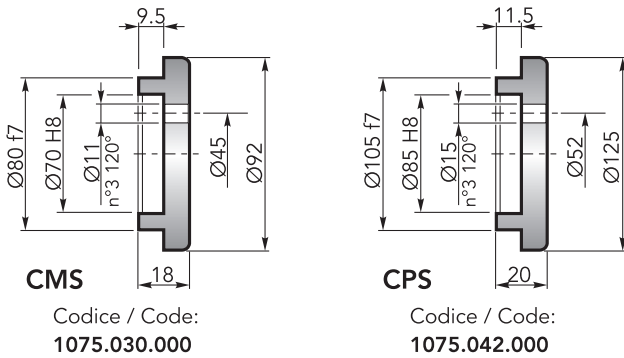


	Uscita / Output	M	Z	XM	A	B	C	D	E	F	G	K	Codice / Code
A	CMS	10	12	0	90	-	10	31	140	85	80	-	1071.236.042
	CMS	10	14	0	90	-	10	31	160	85	80	-	1071.238.042
	CPS	14	13	7	122	-	24	33	224	105	105	-	1071.293.042
B	CMS	12	14	3	90	115	25	31	194.5	85	80	130	1071.286.042

CHFF



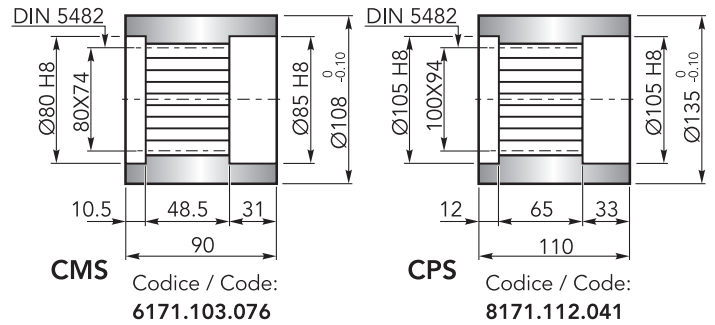
Fondello di arresto | Stop bottom plate



CHBS



Boccola scanalata | Splined bushing

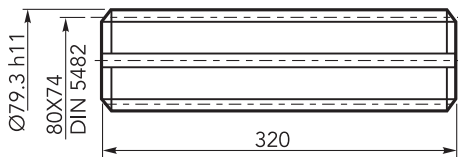


CHKB



Barra scanalata | Splined rod

Codice / Code:
3071.406.042

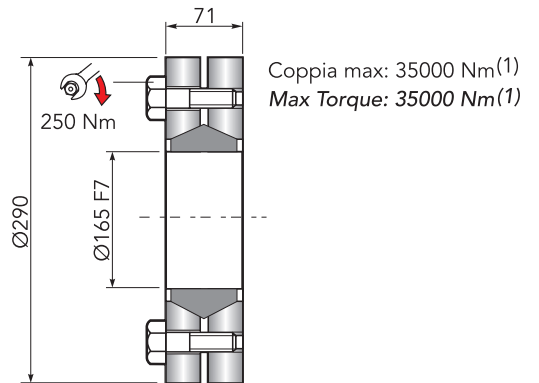


CHGA



Giunto di attrito | Shrink disc

Codice / Code:
5109.165.000

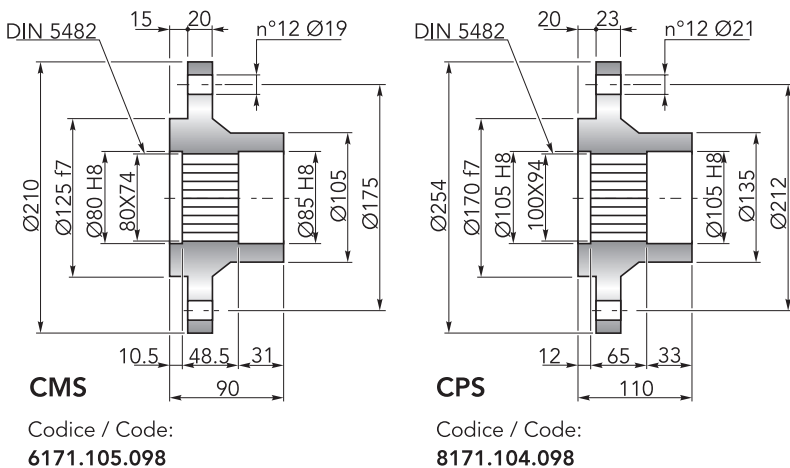


(1): Coppia max indicata è valida solo con calettatori forniti da Chiaravalli S.p.A.
(1): The maximum torque indicated is valid only with shrink discs supplied by Chiaravalli S.p.A.

CHFL



Flangia | Flange



Codice / Code:
6171.105.098

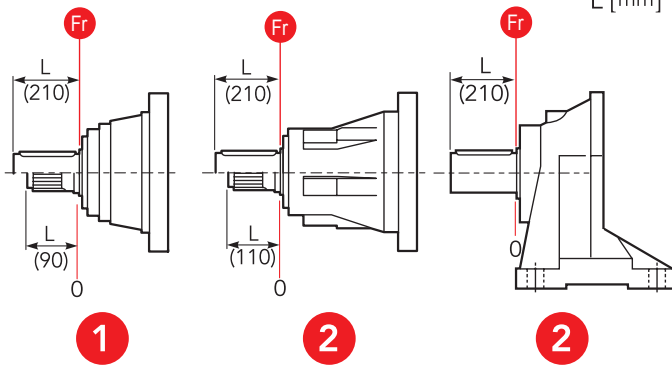
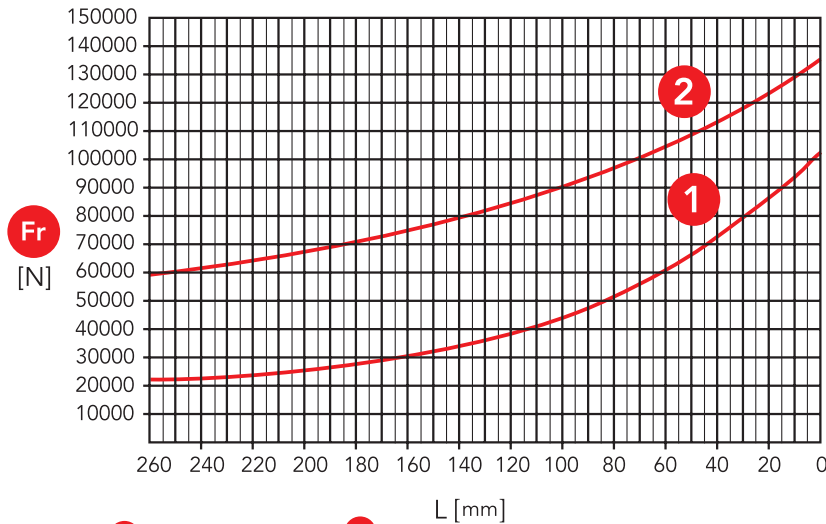
Codice / Code:
8171.104.098



CARICHI RADIALI (Fr) · RADIAL LOADS (Fr)

Nel diagramma seguente, sono indicati i carichi radiali F_r (N) applicabili sull'albero uscita in funzione della distanza di applicazione L rispetto alla battuta dell'albero.

The hereunder table shows the allowable radial loads F_r (N) on the output shaft with reference to the distance L .



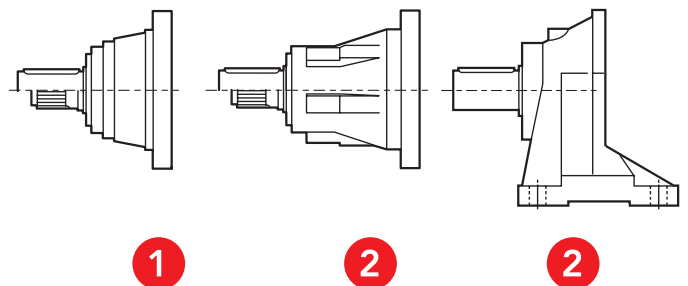
- 1** Uscita / Output: CMS, CMC
- 2** Uscita / Output: CPS, CPC, CCPC

CARICHI ASSIALI (Fa) · AXIAL LOADS (Fa)

Nella tabella seguente sono indicati i carichi assiali F_a (N) applicabili sull'albero di uscita in funzione della direzione di applicazione del carico e della versione.

The hereunder table shows the allowable axial loads F_a (N) on the output shaft with reference to the load direction and the output type.

	1	2	
Fa [N]	45000	85000	←
	65000	85000	→



- 1** Uscita / Output: CMS, CMC
- 2** Uscita / Output: CPS, CPC, CCPC