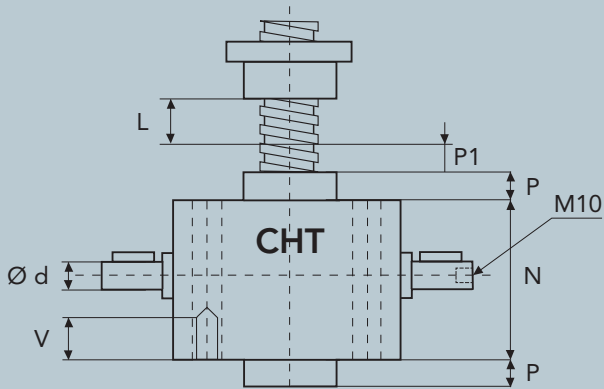




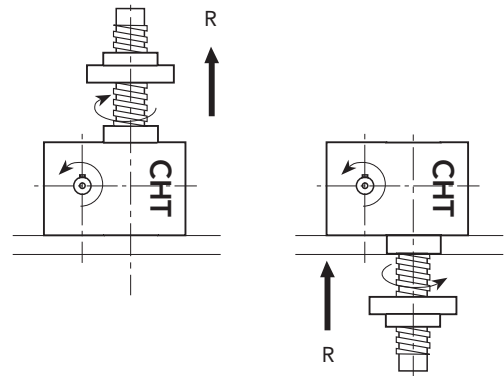
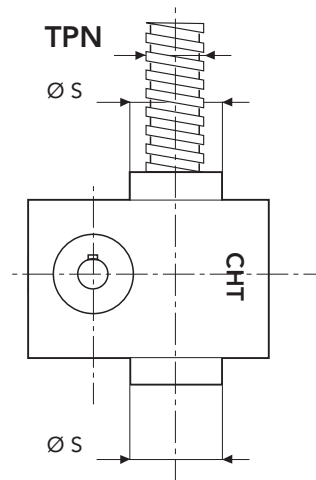
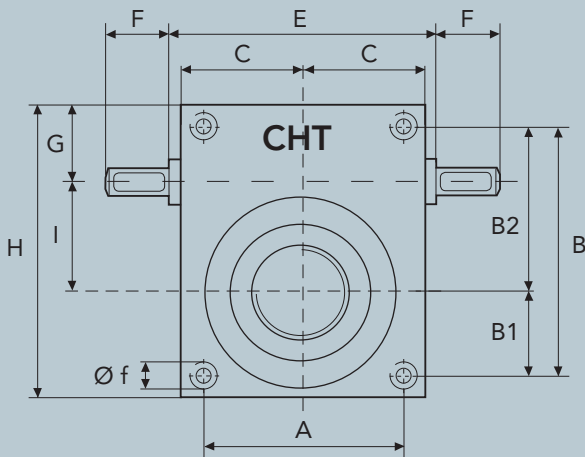
SERIES CHS 9 RS

ROTATING SCREW

HEAVY LINE

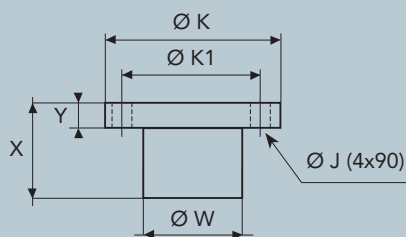


L = CORSA

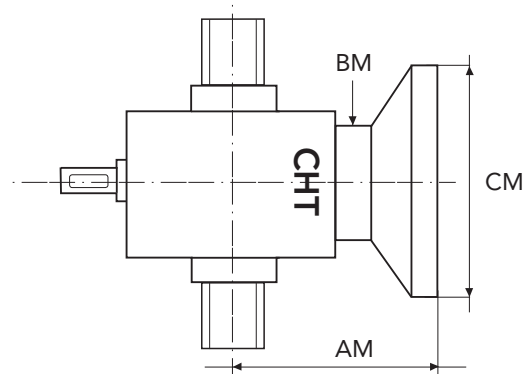


SERIES CHS 9 TS - 30000 daN · TPN 90x10

BRONZE NUT



MOTORS ADAPTORS FLANGES



FOR SPECIAL EXECUTION
please consult our technical DPT

	X	Y	Ø W	Ø K	Ø K1	Ø J
CHS9	135	45	150	230	190	20

CONFIGURATION

