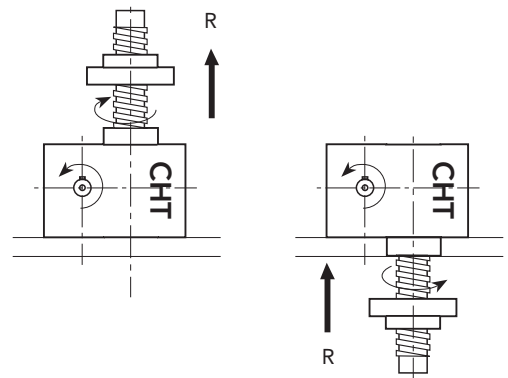
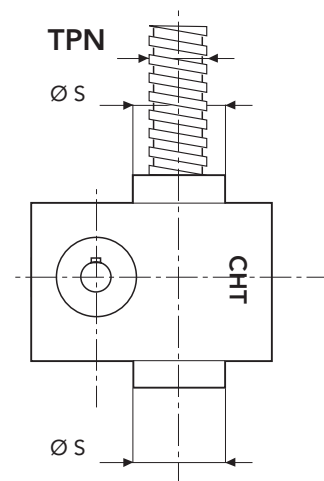
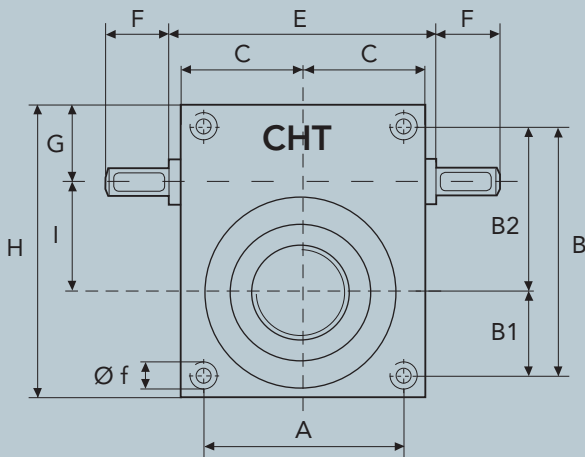
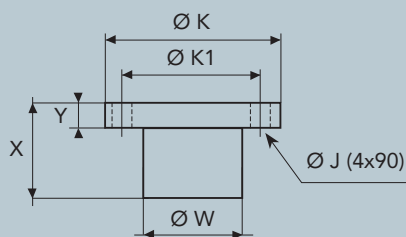


L = CORSA

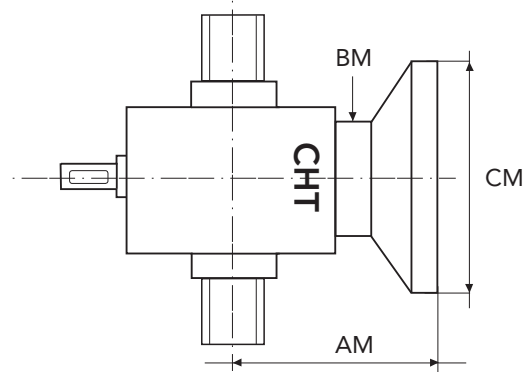


SERIES CHS 3 TS - 2500 daN · TPN 30x6

## BRONZE NUT



## MOTORS ADAPTORS FLANGES



	X	Y	Ø W	Ø K	Ø K1	Ø J
CHS3	48	14	46	80	64	7

MOTOR	FLANGE TYPE	CM	AM	BM
GR. 63	B5	140		
GR. 71	B5	160	112,5	84
GR. 80	B5 B14	200 120		

## CONFIGURATION

