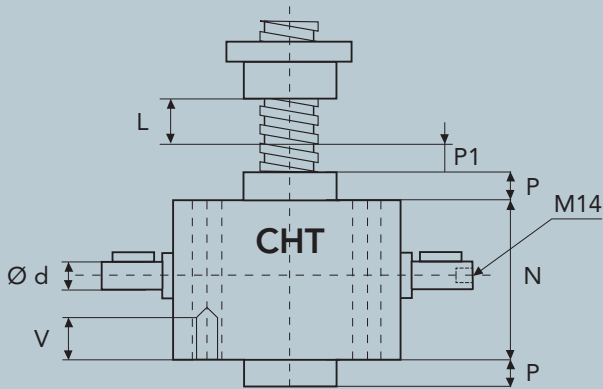




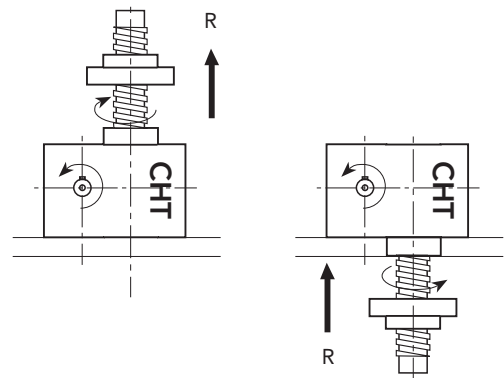
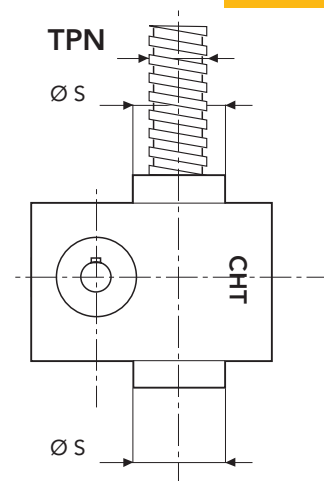
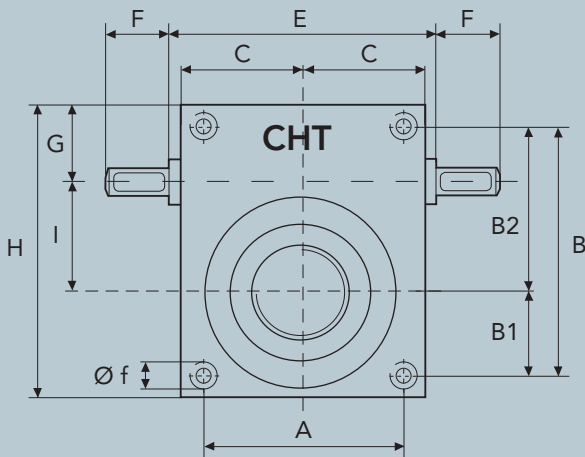
SERIES CHS 16 RS

ROTATING SCREW

HEAVY LINE

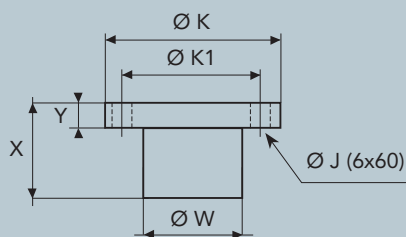


L = CORSA

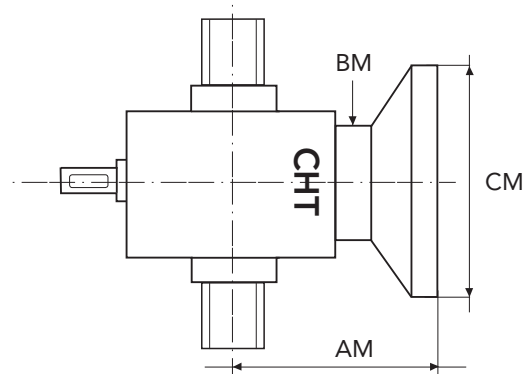


SERIES CHS 16 TS - 100.000 daN · TPN 160x16

BRONZE NUT



MOTORS ADAPTORS FLANGES



FOR SPECIAL EXECUTION
please consult our technical DPT

	X	Y	Ø W	Ø K	Ø K1	Ø J
CHS16	250	80	210	320	270	25

CONFIGURATION

