



PLATEWHEELS ASA 35 pitch 3/8" x 3/16" for roller chains in compliance with DIN 8188 - ISO/R 606 - ANSI B 29.1

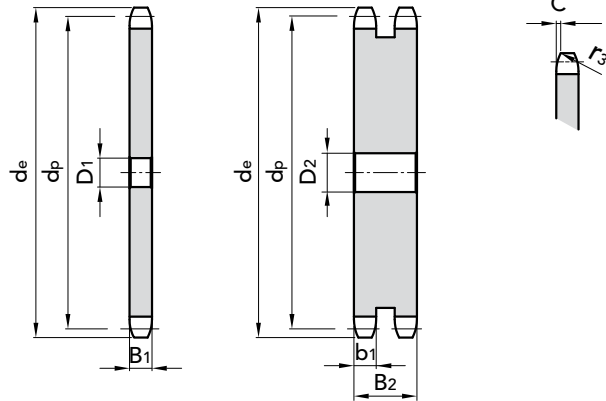
pitch 3/8" x 3/16" ASA 35

PLATEWHEEL

Tooth radius r_3	10	mm
Radius width C	1,2	mm
Plate tooth width B_1	4,4	mm
Plate tooth width b_1	4,3	mm
Plate tooth width B_2	14,4	mm

CHAIN

Pitch	9,525	mm
Inner width	4,77	mm
Roller \varnothing	5,08	mm



SIMPLEX

Z	D ₁	d _e	d _p	P. NUMBER	kg.
9	8	31,50	27,85	21103009	0,015
11	8	38,69	33,80	21103011	0,020
12	8	41,68	36,80	21103012	0,029
15					
16	10	53,70	48,82	21103016	0,054
18	10	59,73	54,85	21103018	0,069
20					
22	12	71,81	66,93	21103022	0,107
25					
26	12	83,90	79,02	21103026	0,150
30	12	96,00	91,12	21103030	0,250
32	12	102,06	97,09	21103032	0,290
34	12	108,11	103,23	21103034	0,310
35	12	110,2	105,3	21103035	0,320
36	12	114,2	109,29	21103036	0,340
38	12	120,2	115,34	21103038	0,360
40	12	126,3	121,40	21103040	0,385
42	12	132,0	127,5	21103042	0,410
44	12	138,0	134,0	21103044	0,448
45					
46	16	144,0	140,0	21103046	0,430
48	16	150,5	145,64	21103048	0,540
54	20	165,0	161,0	21103054	0,640
57	20	177,8	172,91	21103057	0,710
72	20	223,0	218,0	21103072	1,195
76					
80	20	247,0	242,0	21103080	1,400
85	25	262,0	257,0	21103085	1,710
90	25	278,0	273,0	21103090	2,000
95	25	293,0	289,0	21103095	2,150
114	25	350,0	346,0	21103114	4,860
120	20	384,0	380,0	21103120	5,420

DUPLEX

Z	D ₁	d _e	d _p	P. NUMBER	kg.
9					
11					
12					
15					
16					
18					
20					
22					
25					
26					
30	12	96,00	91,12	21203030	0,80
32					
34					
35					
36					
38	14	120,22	115,34	21203038	1,00
40					
42					
44	16	138,9	133,5	21203044	1,20
45	16	141,43	136,55	21203045	1,47
46					
48					
54	16	169,3	163,8	21203054	2,162
57	16	177,79	172,91	21203057	2,35
70	16	217,8	212,3	21203070	3,70
72					
76	16	235,37	230,49	21203076	4,10

MATERIAL **FE / C45**

Ask for specific needs.

CAD drawings available on our site
www.chiaravalli.com

Quantity, availability and prices
 on B2B Chiaravalli





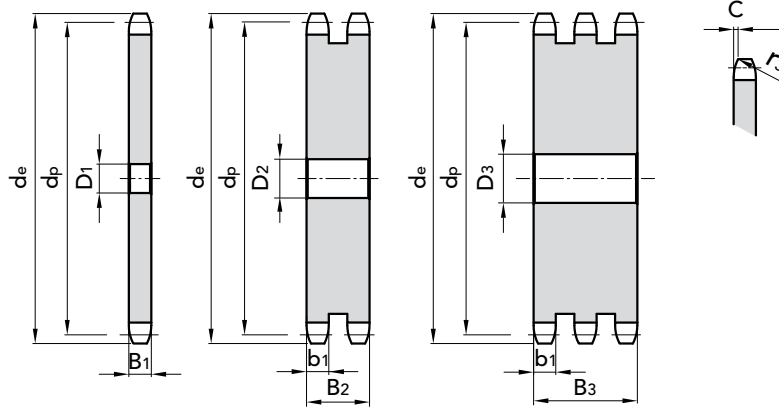
pitch 1/2" x 5/16" ASA 40

PLATEWHEEL

Tooth radius r_3	13,5	mm
Radius width \bar{C}	1,6	mm
Plate tooth width B_1	7,4	mm
Plate tooth width b_1	7,2	mm
Plate tooth width B_2	21,6	mm
Plate tooth width B_3	36	mm

CHAIN

Pitch	12,7	mm
Inner width	7,94	mm
Roller \varnothing	7,94	mm



SIMPLEX

Z	D ₁	d _e	d _p	P. NUMBER	kg.
8	8	38,00	33,00	21104008	0,035
9					
11					
12					
13	10	59,63	52,68	21104013	0,102
14					
17					
19					
20	12	87,70	81,20	21104020	0,260
21					
22	12	95,80	89,24	21104022	0,315
23	12	99,85	93,05	21104023	0,340
25	14	107,88	101,34	21104025	0,400
26	14	111,94	105,36	21104026	0,500
30					
31					
32					
33	16	140,62	133,4	21104033	0,730
36	16	152,28	145,72	21104036	0,880
37	16	156,30	149,8	21104037	1,045
38	16	160,40	153,79	21104038	1,080
40					
41	20	173,04	165,91	21104041	1,146
42	20	176,50	169,94	21104042	1,200
44	20	185,19	178,0	21104044	1,325
45	20	188,62	181,95	21104045	1,390
46					
48	20	200,70	194,18	21104048	1,588
50	20	209,48	202,3	21104050	1,727
54	20	226,00	219,0	21104054	2,024
57	20	237,10	230,54	21104057	2,210
72	20	207,60	290,2	21104072	3,630
76	20	313,90	307,32	21104076	4,100
80	20	331,00	324,0	21104080	4,489
85	20	350,20	343,7	21104085	5,095
90					
95	20	390,70	384,11	21104095	6,387
114	20	465,00	461	21104114	9,240

DUPLEX

Z	D ₁	d _e	d _p	P. NUMBER	kg.
8					
9					
11					
12	10	41,70	36,80	21204012	0,210
13					
14					
17					
19					
20					
21					
22					
23					
25					
26					
30					
31					
32					
33					
36	20	152,28	145,70	21204036	2,300
37					
38	20	160,40	153,79	21204038	2,780
40	20	168,43	161,87	21204040	3,000
41					
42					
44	20	185,19	178,00	21204044	3,600
45	20	188,62	181,95	21204045	3,900
46					
48					
50	20	209,48	202,30	21204050	4,980
54					
57	25	237,10	230,54	21204057	5,450
72					
76	25	313,90	307,32	21204076	12,00
80					
85					
90					
95	25	390,67	384,11	21204095	22,40
114	25	467,40	461,00	21204114	31,85

TRIPLEX

Z	D ₁	d _e	d _p	P. NUMBER	kg.
8					
9					
11					
12					
13					
14					
17					
19					
20	16	128,06	121,50	21304020	1,10
21					
22					
23					
25					
26					
30	20	96,00	91,12	21304030	3,00
31					
32					
33					
36					
37					
38	25	160,40	153,79	21304038	4,00
40	25	176,50	169,94	21304040	4,84
41					
42					
44					
45	25	188,62	181,95	21304045	6,00
46					
48	25	200,70	194,18	21304048	7,00
50	25	209,48	202,30	21304050	8,19
54					
57	25	237,10	230,54	21304057	10,00
72					
76	25	313,90	307,32	21304076	20,00
80					
85					
90					
95					
114					

MATERIAL **FE / C45**

Ask for specific needs.

CAD drawings available on our site
www.chiaravalli.com

Quantity, availability and prices
 on B2B Chiaravalli



PLATEWHEELS ASA 40 pitch 1/2" x 5/16" for roller chains in compliance with DIN 8188 - ISO/R 606 - ANSI B 29.1



PLATEWHEELS ASA 50 pitch 5/8" x 3/8" for roller chains in compliance with DIN 8188 - ISO/R 606 - ANSI B 29.1

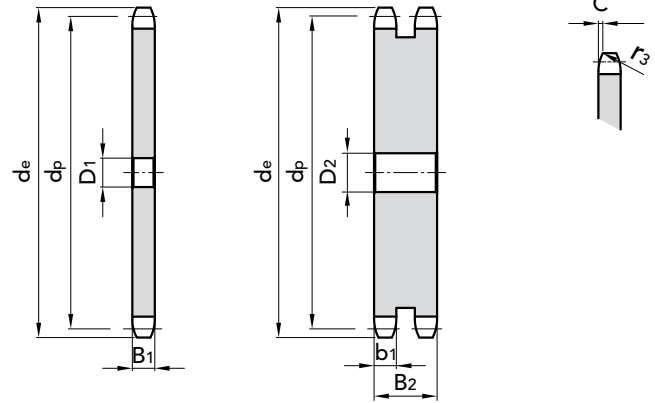
pitch 5/8" x 3/8"

PLATEWHEEL

Tooth radius r_3	17	mm
Radius width C	2	mm
Plate tooth width B_1	9	mm
Plate tooth width b_1	8,8	mm
Plate tooth width B_2	26,9	mm
Plate tooth width B_3	45	mm

CHAIN

Pitch	15,875	mm
Inner width	9,52	mm
Roller \varnothing	10,16	mm



SIMPLEX

DUPLEX

Z	D ₁	d _e	d _p	P. NUMBER	kg.	Z	D ₁	d _e	d _p	P. NUMBER	kg.	Z	D ₁	d _e	d _p	P. NUMBER	kg.	Z	D ₁	d _e	d _p	P. NUMBER	kg.	
8	10	47,0	41,48	20115008	0,06	44	20	230,0	222,53	20115044	2,63	8						44						
9	10	52,6	46,42	20115009	0,09	45	20	235,0	227,58	20115045	2,75	9						45	20	235,00	227,58	21205045	7,27	
10	10	57,5	51,37	20115010	0,11	46	20	240,1	232,63	20115046	2,88	10						46						
11	10	63,0	56,34	20115011	0,14	47	20	245,1	237,68	20115047	3,01	11						47						
12	10	68,0	61,34	20115012	0,17	48	20	250,2	242,73	20115048	3,14	12	14	68,00	61,34	21205012	0,40	48						
13	10	73,0	66,32	20115013	0,20	49	20	255,2	247,78	20115049	3,28	13	14	73,00	66,32	21205013	0,60	49						
14	10	78,0	71,34	20115014	0,23	50	20	260,3	252,82	20115050	3,42	14						50						
15	10	83,0	76,36	20115015	0,27	51	20	265,3	257,87	20115051	3,56	15						51						
16	12	88,0	81,37	20115016	0,31	52	20	270,4	262,92	20115052	3,70	16	16	88,00	81,37	21205016	0,80	52						
17	12	93,0	86,39	20115017	0,36	53	20	275,4	267,97	20115053	3,85	17						53						
18	12	98,0	91,42	20115018	0,41	54	20	280,5	273,03	20115054	4,00	18						54						
19	12	103,3	96,45	20115019	0,46	55	20	285,5	278,08	20115055	4,15	19						55						
20	12	108,4	101,49	20115020	0,51	56	25	290,6	283,13	20115056	4,30	20						56						
21	12	113,4	106,52	20115021	0,57	57	25	296,0	288,18	20115057	4,46	21						57	25	296,00	288,18	21205057	13,00	
22	12	118,0	111,55	20115022	0,62	58	25	300,7	293,23	20115058	4,62	22						58						
23	12	123,4	116,58	20115023	0,69	59	25	305,7	298,27	20115060	4,80	23	16	123,40	116,58	21205023	1,10	59						
24	12	128,3	121,62	20115024	0,75	60	25	310,8	303,32	20115062	4,95	24						60						
25	12	134,0	126,66	20115025	0,82	62	25	321,4	313,43	20115064	5,30	25						62						
26	16	139,0	131,70	20115026	0,88	64	25	331,5	323,53	20115065	5,65	26	16	139,00	131,70	21205026	2,30	64						
27	16	144,0	136,75	20115027	0,95	65	25	336,5	328,58	20115068	5,83	27	16	144,00	136,75	21205027	2,60	65						
28	16	148,7	141,78	20115028	1,03	66	25	341,6	333,63	20115070	6,00	28						66						
29	16	153,8	146,83	20115029	1,11	68	25	351,7	343,74	20115072	6,40	29						68						
30	16	158,8	151,87	20115030	1,19	70	25	361,8	353,84	20115075	6,79	30	20	158,80	151,87	21205030	3,27	70						
31	16	163,9	156,92	20115031	1,28	72	25	371,9	363,95	20115076	7,19	31						72	25	371,90	363,95	21205072	20,60	
32	16	168,9	161,95	20115032	1,36	75	25	387,1	379,09	20115078	7,81	32						75						
33	16	174,5	167,00	20115033	1,45	76	25	392,1	384,16	20115080	8,02	33						76	25	392,10	384,16	21205076	22,00	
34	16	179,0	172,05	20115034	1,55	78	25	402,2	394,25	20115085	8,46	34						78						
35	16	184,1	177,10	20115035	1,64	80	25	412,3	404,35	20115090	8,91	35						80						
36	20	189,1	182,15	20115036	1,73	85	30	437,6	429,62	20115095	10,06	36						85						
37	20	194,2	187,20	20115037	1,83	90	30	462,8	454,88	20115100	11,30	37						90						
38	20	199,2	192,24	20115038	1,94	95	30	488,5	480,14	20115110	12,61	38	20	199,20	192,24	21205038	5,30	95						
39	20	104,2	197,29	20115039	2,05	100	30	513,4	505,39	20115114	13,99	39						100						
40	20	209,3	202,34	20115040	2,16	110	30	563,9	555,92	20115120	17,00	40						110						
41	20	214,8	207,39	20115041	2,29	114	30	584,1	576,13	20115125	19,99	41						114						
42	20	219,9	212,44	20115042	2,39	120	30	614,4	606,45	20115008	22,17	42						120						
43	20	224,9	217,49	20115043	2,50	125	30	639,7	631,51	20115009	24,08	43						125						

MATERIAL **FE / C45**

Ask for specific needs.

CAD drawings available on our site
www.chiaravalli.com

Quantity, availability and prices
 on B2B Chiaravalli





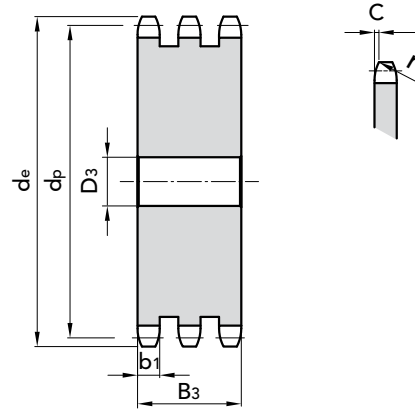
pitch 5/8" x 3/8"

PLATEWHEEL

Tooth radius r_3	17	mm
Radius width \check{C}	2	mm
Plate tooth width B_1	9	mm
Plate tooth width b_1	8,8	mm
Plate tooth width B_2	26,9	mm
Plate tooth width B_3	45	mm

CHAIN

Pitch	15,875	mm
Inner width	9,52	mm
Roller \varnothing	10,16	mm



TRIPLEX

Z D₁ d_e d_p P. NUMBER kg. Z D₁ d_e d_p P. NUMBER kg.

8						44	25	230,0	222,53	21305044	13,00
9						45	25	235,0	227,58	21305045	15,00
10						46					
11						47					
12						48					
13						49					
14						50	25	260,3	252,82	21305050	16,03
15						51					
16						52					
17						53					
18						54					
19						55					
20						56					
21						57	25	296,0	288,18	21305057	20,95
22						58					
23						59					
24						60					
25	20	134,0	126,66	21305025	3,7	62					
26						64					
27						65					
28						66					
29						68					
30	20	158,8	151,87	21305030	5,00	70					
31						72					
32	20	168,9	161,95	21305032	6,10	75					
33						76	30	392,1	384,16	21305076	25,00
34						78					
35						80					
36						85					
37						90					
38	25	199,2	192,24	21305038	8,90	95					
39						100					
40						110					
41	25	214,8	207,39	21305041	10,67	114					
42	25	219,9	212,44	21305042	12,00	120					
43						125					

MATERIAL **FE / C45**

Ask for specific needs.

CAD drawings available on our site
www.chiaravalli.com

Quantity, availability and prices
 on B2B Chiaravalli



PLATEWHEELS ASA 50 pitch 5/8" x 3/8" for roller chains in compliance with DIN 8188 - ISO/R 606 - ANSI B 29.1



PLATEWHEELS ASA 60 pitch 3/4" x 1/2" for roller chains in compliance with DIN 8188 - ISO/R 606 - ANSI B 29.1

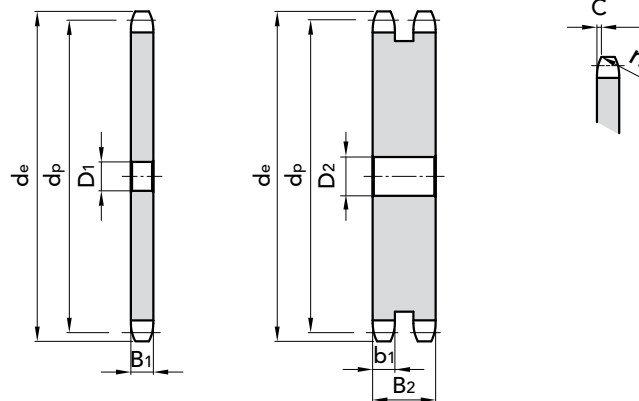
pitch 3/4" x 1/2"

PLATEWHEEL

Tooth radius r_3	20	mm
Radius width C	2,4	mm
Plate tooth width B_1	12,0	mm
Plate tooth width b_1	11,8	mm
Plate tooth width B_2	34,6	mm
Plate tooth width B_3	57,4	mm

CHAIN

Pitch	19,05	mm
Inner width	12,7	mm
Roller \varnothing	11,91	mm



SIMPLEX

DUPLEX

Z	D ₁	d _e	d _p	P. NUMBER	kg.	Z	D ₁	d _e	d _p	P. NUMBER	kg.
8						8					
9	10	64,0	55,0	21106009	0,167	9					
10	12	71,54	61,65	21106010	0,210	10	16	71,54	61,65	21206010	0,50
11						11					
12	12	83,5	73,6	21106012	0,314	12					
13	14	89,6	79,6	21106013	0,375	13					
14	14	95,5	85,7	21106014	0,440	14					
15						15	16	101,52	91,12	21206015	1,31
16						16					
17	16	113,6	103,7	21106017	0,670	17					
18						18					
21						21	20	137,11	127,46	21206021	2,84
26						26					
27						27					
28						28	20	180,03	170,1	21206028	4,00
30						30					
31	20	196,7	188,3	21106031	2,350	31					
32						32					
33	20	208,9	200,5	21106033	2,600	33					
34	20	204,7	206,7	21106034	2,840	34					
38	20	240,6	230,69	21106038	3,200	38	25	240,60	230,69	21206038	10,60
40	20	252,7	242,80	21106040	3,950	40	25	252,70	242,80	21206040	11,20
42	25	265	255	21106042	4,350	42					
44	25	277,2	267,3	21106044	4,800	44					
45						45	25	282,98	273,09	21206045	14,20
46	25	289,4	279,3	21106046	5,240	46					
48	25	301,2	291,27	21106048	5,770	48					
57	25	355,7	345,81	21106057	8,010	57	25	355,70	345,81	21206057	23,65
72	30	447	437	21106072	13,09	72					
76	30	470,87	460,98	21106076	14,62	76	30	470,87	460,98	21206076	45,00
						90					
						95	30	586,06	576,17	21206095	66,90

MATERIAL **FE / C45**

Ask for specific needs.

CAD drawings available on our site
www.chiaravalli.com

Quantity, availability and prices
 on B2B Chiaravalli





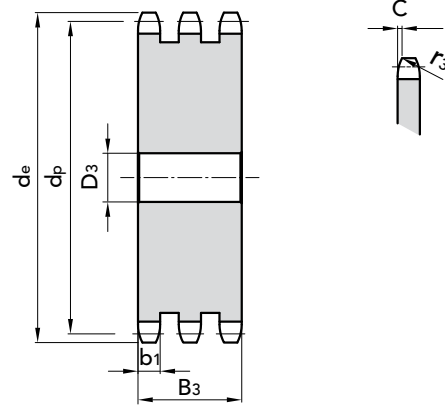
pitch 3/4" x 1/2"

PLATEWHEEL

Tooth radius r_3	20	mm
Radius width \check{C}	2,4	mm
Plate tooth width B_1	12,0	mm
Plate tooth width b_1	11,8	mm
Plate tooth width B_2	34,6	mm
Plate tooth width B_3	57,4	mm

CHAIN

Pitch	19,05	mm
Inner width	12,7	mm
Roller \varnothing	11,91	mm



TRIPLEX

Z D₁ d_e d_p P. NUMBER kg.

Z	D ₁	d _e	d _p	P. NUMBER	kg.
13	16	89,60	79,60	21306013	1,00
14	16	95,5	85,70	21306014	1,91
18	20	119,60	109,71	21306018	3,31
19					
20	20	131,67	121,78	21306020	4,00
21	20	137,11	127,46	21306021	5,00
22	20	142,21	133,86	21306022	6,00
30	20	192,14	182,25	21306030	10,0
32					
38	25	240,6	230,69	21306038	13,00
40					
45	25	282,98	273,09	21306045	24,00
48	25	301,2	291,27	21306048	26,00
57	30	355,70	345,81	21306057	37,57
76	30	470,87	460,98	21306076	70,32
95					

MATERIAL **FE / C45**

Ask for specific needs.

CAD drawings available on our site
www.chiaravalli.com

Quantity, availability and prices
 on B2B Chiaravalli



PLATEWHEELS ASA 60 pitch 3/4" x 1/2" for roller chains in compliance with DIN 8188 - ISO/R 606 - ANSI B 29.1



PLATEWHEELS ASA 80 pitch 1" x 5/8" for roller chains in compliance with DIN 8188 - ISO/R 606 - ANSI B 29.1

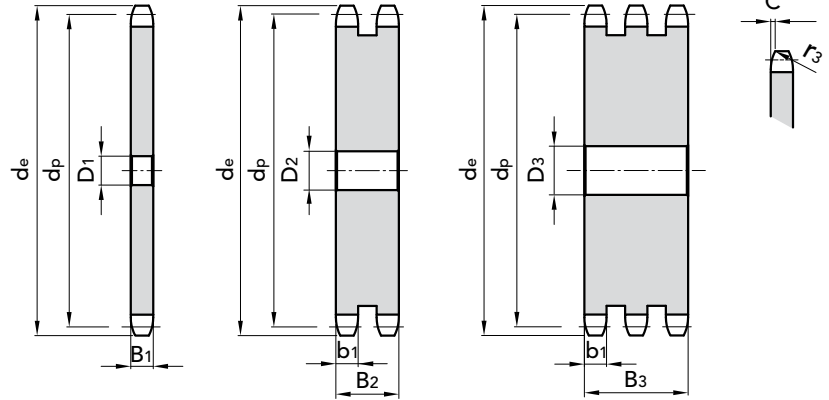
pitch 1" x 5/8"

PLATEWHEEL

Tooth radius r_3	27	mm
Radius width \bar{C}	3,2	mm
Plate tooth width B_1	15,0	mm
Plate tooth width b_1	14,7	mm
Plate tooth width B_2	44,0	mm
Plate tooth width B_3	73,3	mm

CHAIN

Pitch	25,4	mm
Inner width	15,88	mm
Roller \varnothing	15,88	mm



SIMPLEX

Z	D ₁	d _e	d _p	P. NUMBER	kg.
9	15	85,8	82,19	21108009	0,30
10	15	95,3	82,79	21108010	0,40
11	15	103,3	90,14	21108011	0,60
12	15	111,3	98,14	21108012	0,68
13	15	119,3	106,12	21108013	0,75
14	15	127,3	114,15	21108014	0,98
15	15	135,3	122,17	21108015	1,10
16	19	143,3	130,20	21108016	1,35
17	19	151,4	138,22	21108017	1,49
18	19	159,4	146,28	21108018	1,90
19	19	167,4	154,33	21108019	2,00
20	19	175,5	162,38	21108020	2,25
21	20	183,5	170,43	21108021	2,60
22	20	191,6	178,48	21108022	2,90
23	20	199,7	186,53	21108023	3,10
24	20	207,7	194,59	21108024	3,30
25	20	215,8	202,66	21108025	3,50
26	20	223,8	210,72	21108026	3,70
27	20	231,9	218,79	21108027	3,93
28	20	240,0	226,85	21108028	4,20
29					
30	20	256,1	243,00	21108030	4,60
31					
32	25	272,26	259,13	21108032	5,50
34					
35	25	296,48	283,36	21108035	7,00
38	25	320,70	307,59	21108038	8,00
39	25	327,2	315,6	21108039	8,70
41					
45	25	377,24	364,12	21108045	12,00
48					
50	25	417,64	404,52	21108050	14,00
54					
57	25	474,20	461,08	21108057	22,00
72					
76	25	627,80	614,64	21108076	30,00
80	30	660,7	646,96	21108080	34,00
90					

DUPLEX

Z	D ₁	d _e	d _p	P. NUMBER	kg.
9					
10					
11					
12					
13	20	119,26	106,12	21208013	2,00
14	20	127,27	114,15	21208014	2,59
15	20	135,29	122,17	21208015	3,50
16					
17					
18					
19					
20					
21					
22					
23					
24					
25	25	215,78	202,66	21208025	9,20
26					
27					
28					
29					
30	25	256,12	243,00	21208030	13,85
31					
32	25	272,26	259,13	21208032	15,80
34	25	286,9	275,28	21208034	17,00
35					
38	25	320,70	307,59	21208038	22,77
39					
41					
45	25	377,24	364,12	21208045	32,50
48	25	402,1	388,36	21208048	38,00
50					
54					
57	25	474,20	461,08	21208057	52,75
72					
76	25	627,80	614,64	21208076	90,00
80					
90	30	741,6	727,81	21208090	135,00

TRIPLEX

Z	D ₁	d _e	d _p	P. NUMBER	kg.
9					
10					
11					
12					
13					
14					
15	25	135,3	122,17	21308015	4,90
16					
17					
18					
19					
20					
21					
22					
23					
24					
25	30	215,8	202,66	21308025	15,20
26	30	223,8	210,72	21308026	16,00
27	30	231,9	218,79	21308027	18,00
28					
29					
30	30	256,1	243,00	21308030	27,63
31					
32					
34					
35					
38	30	320,70	307,59	21308038	37,70
39					
40	30	335,3	323,73	21308040	41,80
45	30	377,24	364,12	21308045	53,63
48					
50					
54					
57	40	474,20	461,08	21308057	80,00
72					
76	40	627,80	614,64	21308076	160,00
80					
90					

MATERIAL **FE / C45**

Ask for specific needs.

CAD drawings available on our site
www.chiaravalli.com

Quantity, availability and prices
 on B2B Chiaravalli





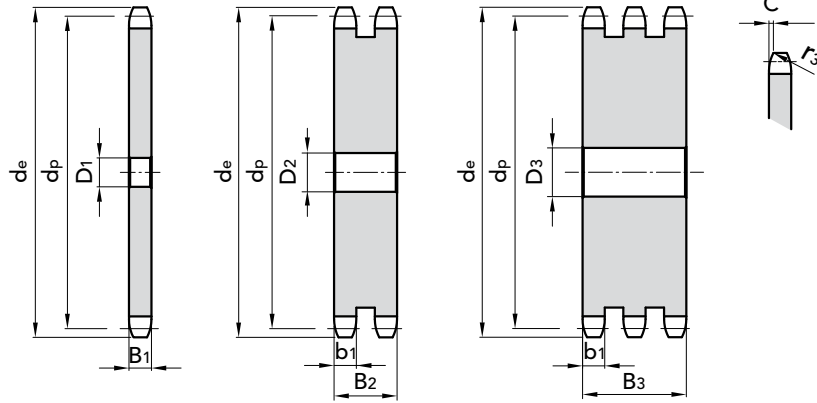
pitch 1" 1/4 x 3/4"

PLATEWHEEL

Tooth radius r_3	33,5	mm
Radius width \bar{C}	4	mm
Plate tooth width B_1	18,0	mm
Plate tooth width b_1	17,7	mm
Plate tooth width B_2	53,5	mm
Plate tooth width B_3	89,2	mm

CHAIN

Pitch	31,75	mm
Inner width	19,05	mm
Roller \varnothing	19,05	mm



SIMPLEX					
Z	D ₁	d _e	d _p	P. NUMBER	kg.
8	16	98,10	82,96		
9	16	108,0	92,84		
10	16	117,9	102,74	21110010	1,29
11	16	127,8	112,68		
12	20	137,8	122,68	21110012	2,00
13	20	147,8	132,65		
14	20	157,8	142,68		
15	20	167,9	152,72	21110015	2,30
16	25	177,9	162,75		
17	25	187,9	172,78		
18	25	198,0	182,85		
19	25	208,1	192,91		
20	25	218,1	202,95	21110020	4,50
21	25	228,2	213,04		
22	25	238,3	223,11	21110022	4,76
23	25	248,3	233,17		
24	25	258,4	243,23	21110024	5,61
25	25	268,5	253,33	21110025	6,05
26	25	278,6	263,40		
27	25	289,6	273,40		
28	25	299,7	283,56	21110028	7,00
29	25	309,8	293,65		
30	25	319,9	303,75	21110030	9,45
31					
32	25	340,1	323,91	21110032	10,25
33					
34					
35	25	370,4	354,20	21110035	16,00
36					
37					
38	25	400,6	384,49	21110038	18,00
39					
40					
42					
45	30	471,3	455,17	21110045	21,45
50					
57	30	592,5	576,36	21110057	25,00

DUPLEX					
Z	D ₁	d _e	d _p	P. NUMBER	kg.
8					
9					
10					
11					
12					
13					
14					
15					
16					
17					
18					
19					
20					
21					
22					
23					
24	25	258,40	243,23	21210024	16,50
25	25	268,50	253,33	21210025	18,00
26					
27					
28					
29					
30	25	319,9	303,75	21210030	27,00
31					
32					
33					
34					
35					
36					
37					
38	30	400,6	384,49	21210038	35,00
39					
40					
42	30	440,8	424,88	21210042	45,00
45	30	471,3	455,17	21210045	62,15
50					
57	30	592,5	576,36	21210057	102,00

TRIPLEX					
Z	D ₁	d _e	d _p	P. NUMBER	kg.
8					
9					
10					
11					
12	20	137,8	122,68	21310012	5,65
13					
14	30	157,8	142,68	21310014	8,00
15	25	167,9	152,72	21310015	9,61
16					
17					
18					
19	25	208,1	192,91	21310019	16,08
20					
21					
22					
23					
24					
25	25	268,5	253,33	21310025	20,00
26					
27					
28					
29					
30	25	319,9	303,75	21310030	43,96
31					
32					
33					
34					
35					
36					
37					
38					
39					
40	30	420,8	404,68	21310040	65,00
42					
45					
50					
57					

MATERIAL FE / C45

Ask for specific needs.

CAD drawings available on our site
www.chiaravalli.com

Quantity, availability and prices
 on B2B Chiaravalli



PLATEWHEELS ASA 100 pitch 1" 1/4 x 3/4" for roller chains in compliance with DIN 8188 - ISO/R 606 - ANSI B 29.1



PLATEWHEELS ASA 120 pitch 1" 1/2 x 1" for roller chains in compliance with DIN 8188 - ISO/R 606 - ANSI B 29.1

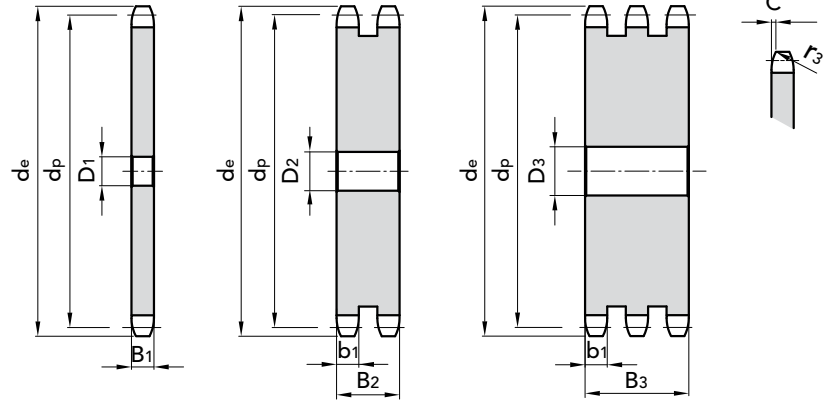
pitch 1" 1/2 x 1"

PLATEWHEEL

Tooth radius r_3	40,5	mm
Radius width C	4,8	mm
Plate tooth width B_1	24,1	mm
Plate tooth width b_1	23,6	mm
Plate tooth width B_2	69,0	mm

CHAIN

Pitch	38,1	mm
Inner width	25,4	mm
Roller \varnothing	22,22	mm



SIMPLEX

Z	D ₁	d _e	d _p	P. NUMBER	kg.
---	----------------	----------------	----------------	-----------	-----

8					
9					
10					
11					
13					
14					
16	25	214,77	195,29	21112016	4,70
17	25	226,83	207,35	21112017	5,30
18	25	238,89	219,41	21112018	6,00
19					
20	25	263,03	243,55	21112020	7,70
21					
22					
23					
24					
25	25	323,47	303,99	21112025	12,02
30	30	383,97	364,49	21112030	17,50
32	30	408,19	388,71	21112032	20,60
35					
38	30	480,85	461,37	21112038	28,00
41	30	513,5	497,74	21112041	33,85
42					
45	30	565,67	546,19	21112045	42,00
54	30	671	655,25	21112054	72,00
57					
76	40	931	921,98	21112076	120,00

DUPLEX

Z	D ₁	d _e	d _p	P. NUMBER	kg.
---	----------------	----------------	----------------	-----------	-----

8					
9					
10	25	142,77	123,29	21212010	6,00
11					
13					
14	25	190,7	171,22	21212014	8,00
16					
17	25	226,83	207,35	21212017	14,37
18	25	238,89	219,41	21212018	16,30
19					
20	25	263,03	243,55	21212020	20,00
21	25	270,6	255,65	21212021	23,75
22					
23	25	294,8	279,8	21212023	29,03
24	25	306,8	291,88	21212024	32,90
25	25	323,47	303,99	21212025	33,50
30	30	383,97	364,49	21212030	49,10
32					
35					
38	30	480,85	461,37	21212038	81,45
41					
42					
45	40	565,67	546,19	21212045	115,00
54					
57	40	711,1	691,62	21212057	188,90
76					

CAD drawing available on our site
www.chiaravalli.com

All eliminated teeth are available
 subject to availability.

On demand we can manufacture ASA
 sprockets and pitches not shown on this
 catalogue.

MATERIAL **FE / C45**

Ask for specific needs.

Quantity, availability and prices
 on B2B Chiaravalli

