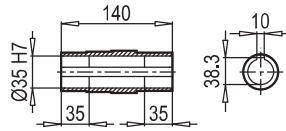
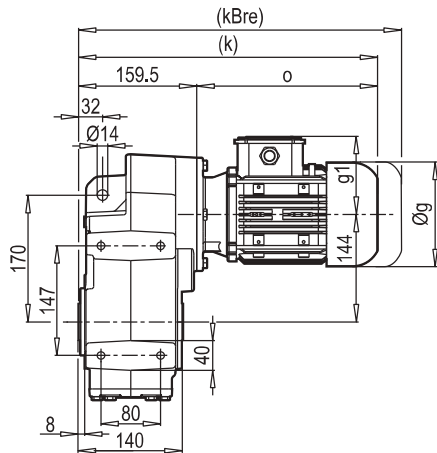
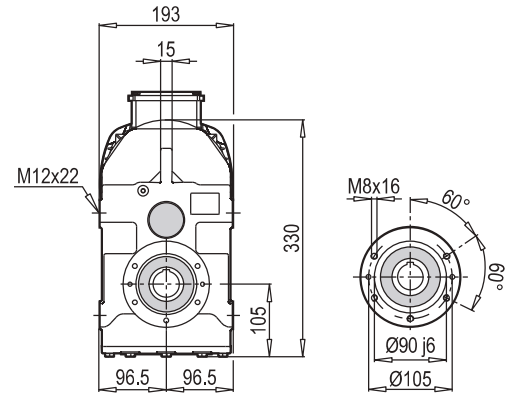


D/M 352-353

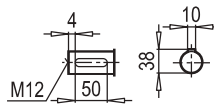
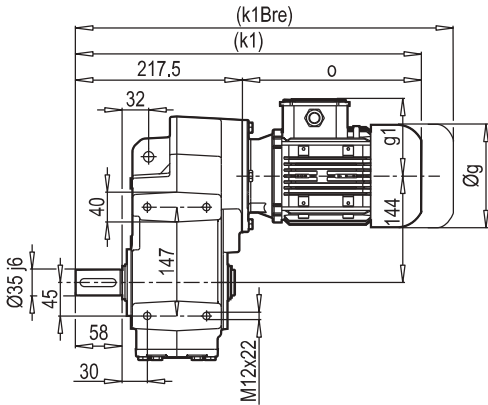
D 352-353



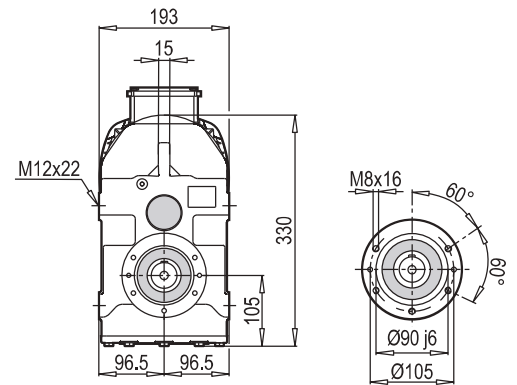
D 352-353 B14



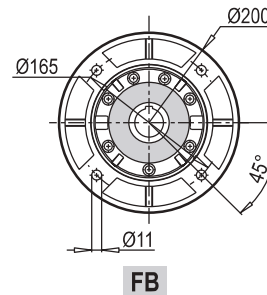
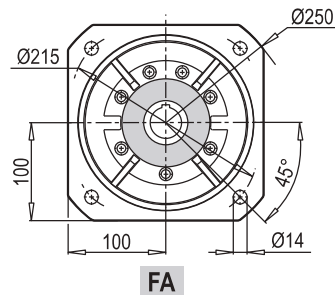
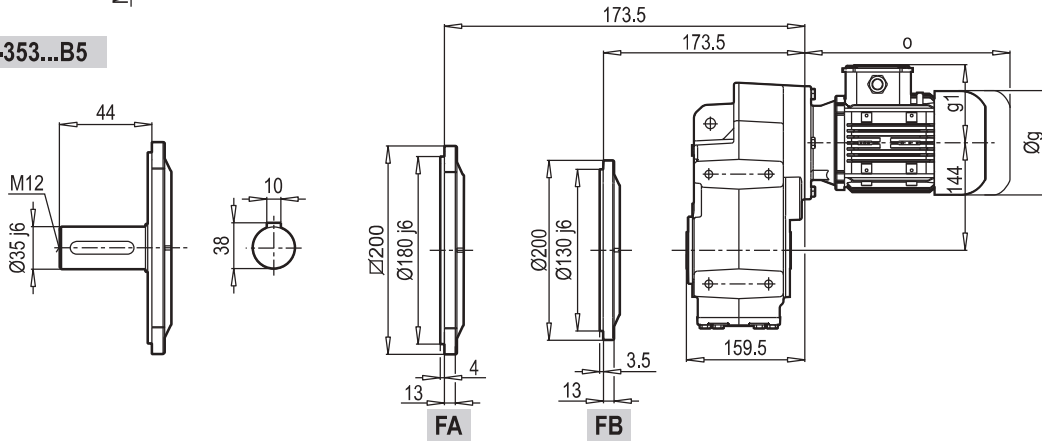
M 352-353



M 352-353...B14

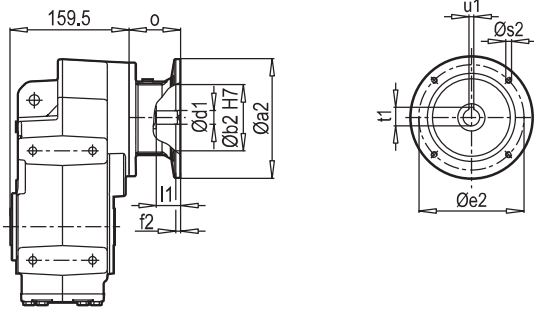


D/M 352-353...B5

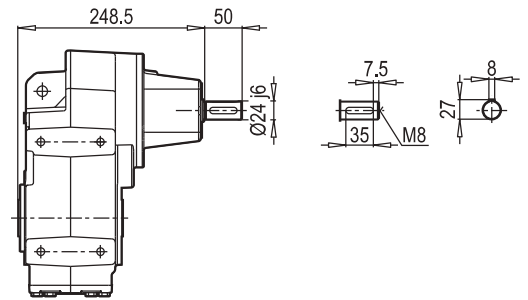


	63M	71M	80M	90S	90L	100L	112M		
g	124	140	159	193	193	217	232		
g1	111	119	127	151	151	160	168		
k/k1	372/430	401/459	427/485	473/531	493/551	494/552	544/602		
kBre/k1Bre	424/482	461/519	489/547	546/604	566/624	575/633	624/682		
o	212	241	267	313	333	334	393		

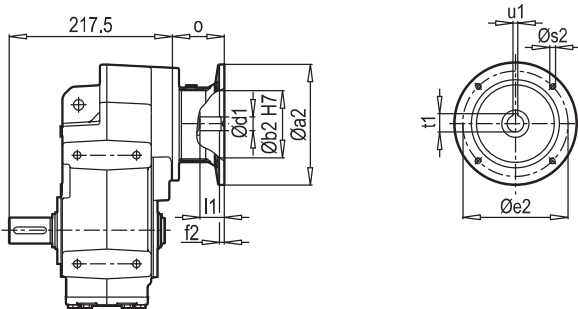
D 352-353 PAM B5/B14



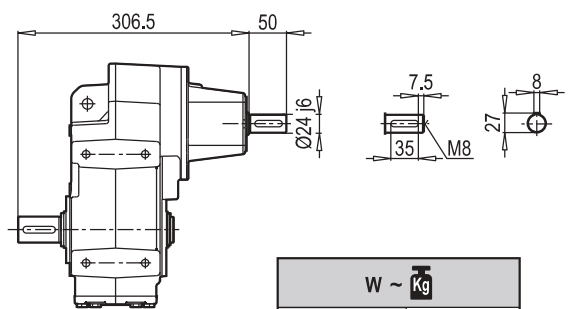
D 352-353 W



M 352-353 PAM B5/B14

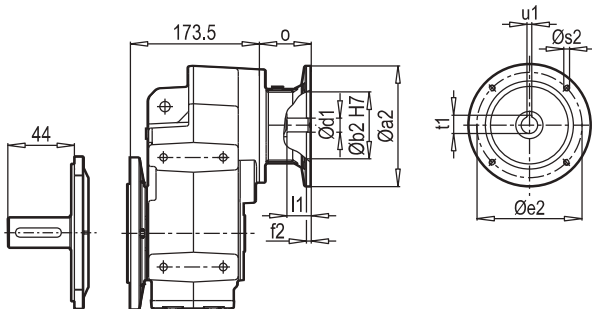


M 352-353 W

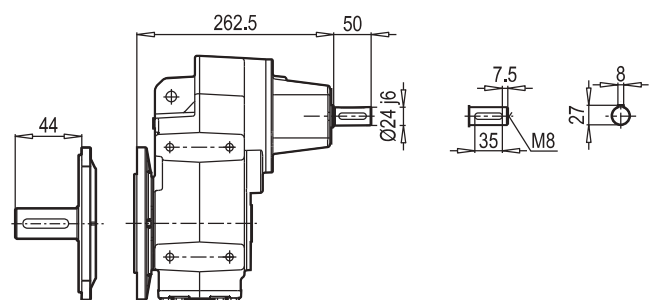


W ~ Kg	
D/M 352 - 353	25

D/M 352-353 B5 PAM B5/B14



D/M 352-353 B5 W



Tip / Type Typ / Tipo Type / Tipo	PAM B5	Øa2	Øb2	Øe2	f2	Øs2	Ød1	l1	t1	u1	o
D/M 352 - 353	63	140	95	115	4.5	8	11	25	12.8	4	57
	71	160	110	130	5	8	14	32	16.3	5	69
	80	200	130	165	5	10	19	42	21.8	6	90
	90	200	130	165	5	10	24	52	27.3	8	90
	100	250	180	215	5.5	12	28	62	31.3	8	105
	112	250	180	215	5.5	12	28	62	31.3	8	105

~ Kg		
PAM B5/B14	D/M 352	D/M 353
63	-	23
71	24	24
80	25	25
90	25	25
100	29	-
112	29	-

Tip / Type Typ / Tipo Type / Tipo	PAM B14	Øa2	Øb2	Øe2	f2	Øs2	Ød1	l1	t1	u1	o
D/M 352 - 353	63	90	60	75	2.5	6	11	25	12.8	4	57
	71	105	70	85	2.5	7	14	32	16.3	5	69
	80	120	80	100	3	7	19	42	21.8	6	90
	90	140	95	115	3	9	24	52	27.3	8	90
	100	160	110	130	3.5	9	28	62	31.3	8	105
	112	160	110	130	3.5	9	28	62	31.3	8	105

Type Typ / Tipo / Type / Tipo	iges	4-pol 50Hz 1400rpm n2 [min-1]	M _{amax} f _B =1 4 - pol. [Nm]	P _{1max} W f _B ≥ 1				PAM - IEC									
				4 - pol. 1400rpm [kW]	FR1 [kN]	FR2GR [kN]	FR2 [kN]										
D 353 M 353	267.38	5.2	600	0.34	1.4	10.0	4.0	71									
	217.97	6.4	600	0.42	1.3	10.0	4.0	71									
	185.05	7.6	600	0.50	1.3	10.0	4.0	71	80	90							
	150.85	9.3	600	0.61	1.3	10.0	4.0	71	80	90							
	126.43	11.1	600	0.73	1.3	10.0	4.0	71	80	90							
	99.67	14.0	600	0.92	1.3	10.0	4.0	71	80	90							
	81.25	17.2	600	1.13	1.2	10.0	4.0	71	80	90							
	D 352 M 352	68.49	20.4	600	1.33	1.2	10.0	4.0	71	80	90						
55.83		25.1	600	1.64	1.1	10.0	4.0	71	80	90							
54.36		25.8	600	1.68	1.1	9.9	4.0	71	80	90	100	112					
46.79		29.9	600	1.95	1.1	9.2	3.7	71	80	90							
44.32		31.6	600	2.06	1.1	9.0	3.6	71	80	90	100	112					
40.00		35.0	600	2.28	1.0	8.6	3.4	71	80	90	100	112					
37.14		37.7	600	2.46	1.0	8.3	3.3	71	80	90	100	112					
34.50		40.6	540	2.38	1.0	8.4	3.3	71	80	90	100	112					
30.50		45.9	500	2.50	1.0	8.1	3.3	71	80	90	100	112					
28.13		49.8	480	2.60	1.0	8.0	3.2	71	80	90	100	112					
25.56		54.8	480	2.86	0.9	7.6	3.1	71	80	90	100	112					
23.57		59.4	470	3.04	0.9	7.4	3.0	71	80	90	100	112					
19.93		70.2	460	3.52	0.8	6.9	2.8		80	90	100	112					
16.25		86.2	450	4.22	0.7	6.3	2.5		80	90	100	112					
13.62		102.8	420	4.70	0.6	6.0	2.4		80	90	100	112					
11.99		116.8	390	4.99	0.6	5.8	2.3		80	90	100	112					
9.77		143.3	360	5.64	0.4	5.5	2.2		80	90	100	112					
8.19		170.9	330	6.17	0.4	5.2	2.1		80	90	100	112					