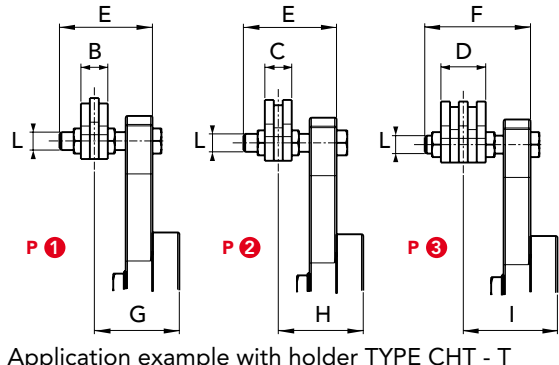
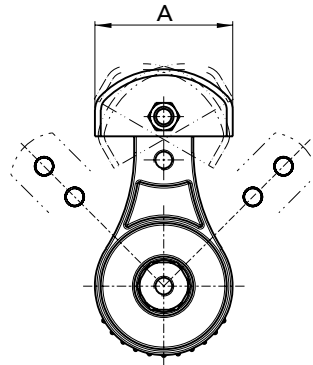




· Tensioner accessory CHT-P with free sliding block of polyethylene high molecular mass material.
Available in different colors

- 1 Simple "P1"
- 2 Double "P2"
- 3 Triple "P3"

Application example of sliding block CHT - P with rotating tensioner TYPE CHT - T



Application example with holder TYPE CHT - T

TENSIONER SLIDING BLOCK CHT - P

3

TYPE	P. NUMBER SIMPLE	P. NUMBER DOUBLE	P. NUMBER TRIPLE	Step Chain	A	B	C	D	E	F	G	H	I	L	WEIGHT Kg.
P 1	94050901	-	-	3/8"	70	20	-	-	60	-	40-58	-	-	M12	0,10
P 1	94051201	-	-	1/2"	70	20	-	-	60	-	40-58	-	-	M12	0,11
P 1	94051501	-	-	5/8"	85	20	-	-	80	-	40-78	-	-	M12	0,17
P 1	94051901	-	-	3/4"	85	20	-	-	80	-	46-81	-	-	M12	0,19
P 1	94052501	-	-	1"	100	20	-	-	100	-	46-100	-	-	M12	0,28
P 2	-	94050902	-	3/8"	70	-	20	-	60	-	-	40-58	-	M12	0,11
P 2	-	94051202	-	1/2"	70	-	20	-	60	-	-	40-58	-	M12	0,11
P 2	-	94051502	-	5/8"	85	-	25	-	80	-	-	43-75	-	M12	0,17
P 2	-	94051902	-	3/4"	85	-	30	-	80	-	-	51-76	-	M12	0,21
P 2	-	94052502	-	1"	100	-	45	-	100	-	-	59-88	-	M12	0,32
P 3	-	-	94050903	3/8"	70	-	-	25	-	80	-	-	43-75	M12	0,15
P 3	-	-	94051203	1/2"	70	-	-	35	-	80	-	-	48-70	M12	0,18
P 3	-	-	94051503	5/8"	85	-	-	40	-	80	-	-	50-68	M12	0,26
P 3	-	-	94051903	3/4"	85	-	-	49	-	100	-	-	61-86	M12	0,35

