



## PROFILE VC

MADE IN ITALY

### Standard lengths 2 METERS

(on request we provide higher lengths)

Material: PE-UHMW High molecular weight polyethylene (p.m. over 1.000.000)

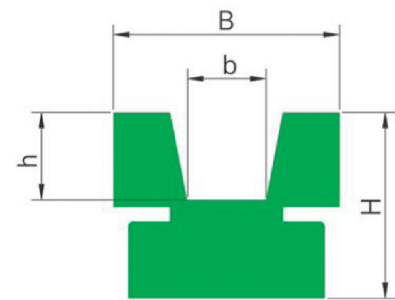
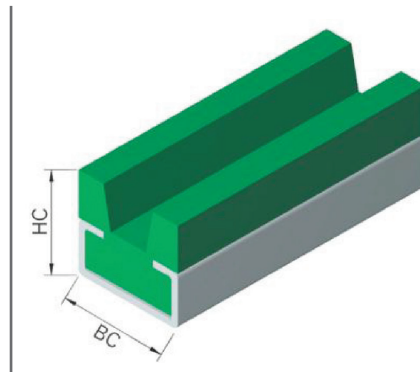
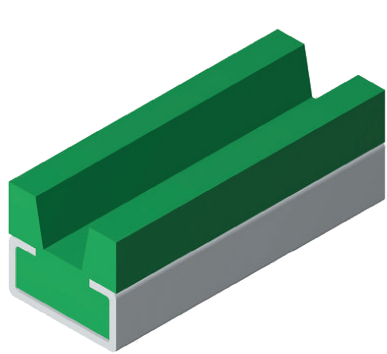
Color: green

Specific gravity: g/cm<sup>3</sup> 0,945

Dynamic friction coefficient: 0.2 (P = 0.05 N/mm<sup>2</sup> - V = 0.6 m/s - T = 40°C)

Temperature range : -70°C ÷ 65°C

Linear thermal expansion: mm 2 every 10°C from the temperature of 20°C.



DESCRIPTION	ARTICLE CODE	TRAPEZOIDAL BELT	B	H	BH	HC	b	h	METALLIC PROFILE	WEIGHT
			mm	mm	mm	mm	mm	mm		Kg/piece
<b>VC-02</b>	<b>GC 2 80 02 2</b>	Z	20.0	15.0	20.0	17.0	6.5	3.0	C-3	0,28
<b>VC-04</b>	<b>GC 2 80 04 2</b>	A	20.0	15.0	20.0	17.0	8.0	5.0	C-3	0,27
<b>VC-06</b>	<b>GC 2 80 06 2</b>	SPB	25.0	20.0	28.0	24.0	9.5	5.0	C-5	0,60
<b>VC-08</b>	<b>GC 2 80 08 2</b>	B	30.0	20.0	28.0	24.0	10.5	8.0	C-5	0,72
<b>VC-10</b>	<b>GC 2 80 10 2</b>	C	35.0	25.0	38.0	32.0	13.5	11.0	C-9	1,14
<b>VC-12</b>	<b>GC 2 80 12 2</b>	D	40.0	25.0	38.0	35.0	19.0	13.0	C-9	1,12

**METALLIC PROFILE NOT INCLUDED**

**Note:** all value have been measured in standard weather conditions: 23°C/73°F with 50% relative humidity (DIN 50005/ISO 554)

Quantity, availability and prices on B2B Chiaravalli